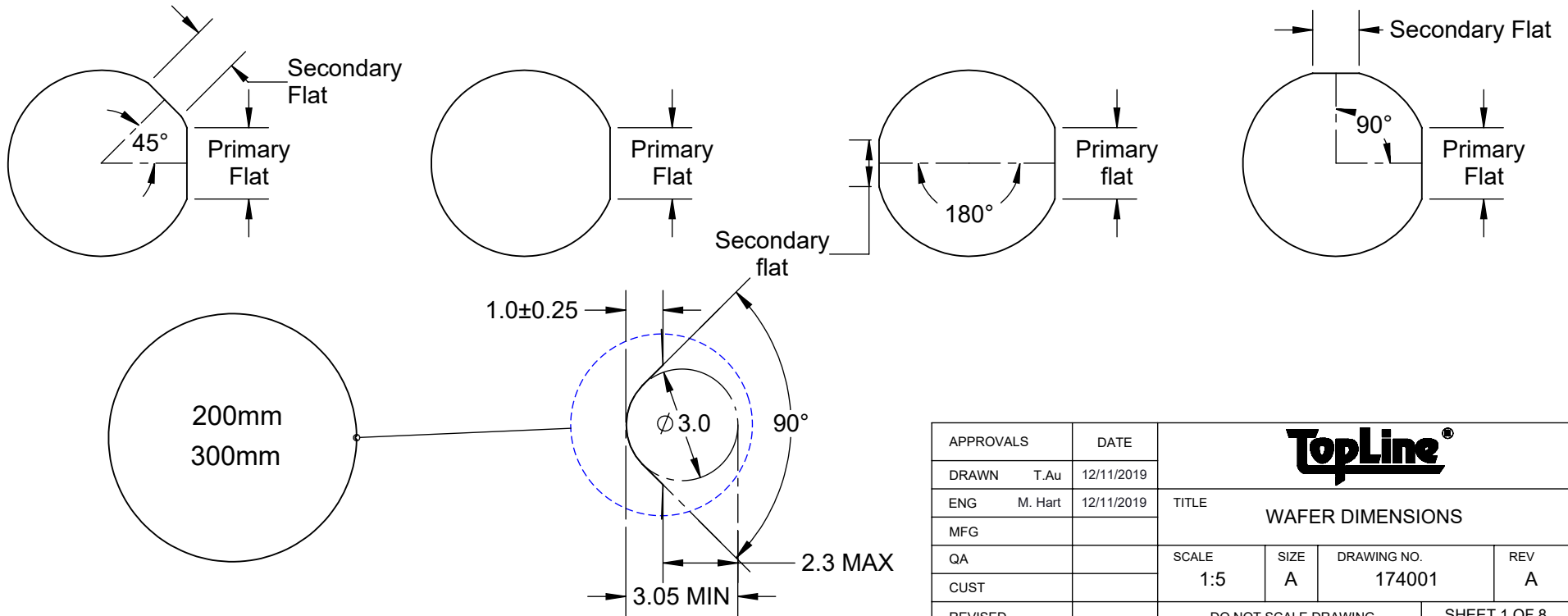


WAFER DIMENSIONS 2 ~ 12 Inch

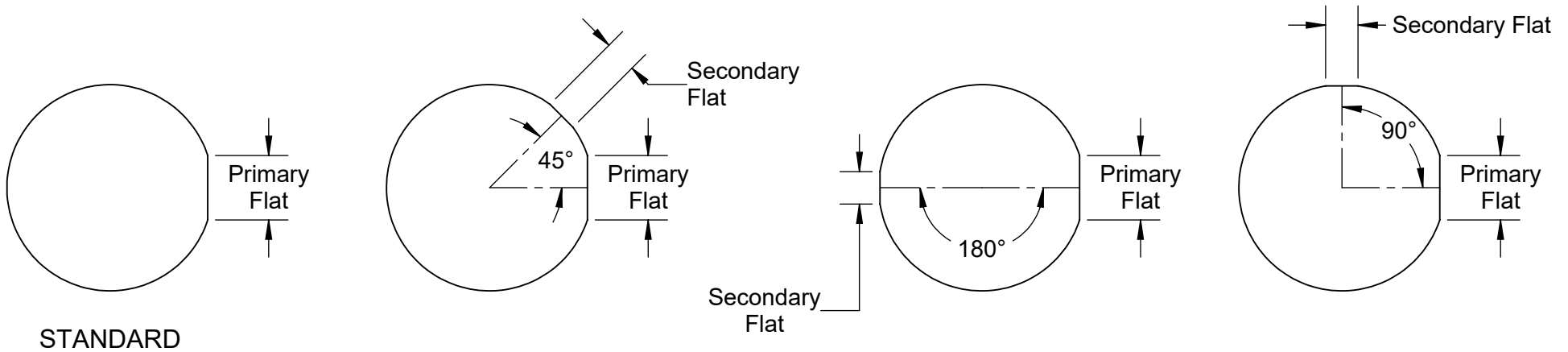
Wafer Size	2-Inch 50.8mm	3-Inch 76.2mm	100mm	125mm	150mm	200mm	300mm
Diameter	2.000"±0.015" 50.8mm±0.38mm	3.000"±0.025" 76.2mm±0.63mm	100mm±0.5mm	125mm±0.5mm	150mm±0.2mm	200mm±0.2mm	300mm±0.2mm
Thickness	0.011"±0.001" 279µm±25µm	0.015"±0.001" 381µm±25µm	525µm±20µm	625µm±20µm	675µm±20µm or 625µm±15µm	725µm±20µm	775µm±20µm
Primary Flat Length	0.625"±0.065" 15.88mm±1.65mm	0.875"±0.125" 22.22mm±3.17mm	32.5mm±2.5mm	42.5mm±2.5mm	57.5mm±2.5mm	Notch	Notch
Secondary Flat Length	0.315"±0.065" 8mm±1.65mm	0.44"±0.06" 11.18mm±1.52mm	18mm±2.0mm	27.5mm±2.5mm	37.5mm±2.5mm	NA	NA
Secondary Flat Location	90°±5° clockwise from primary flat					NA	NA
	45°±5° clockwise from primary flat						
	180°±5° clockwise from primary flat						



APPROVALS	DATE	TopLine®			
DRAWN T. Au	12/11/2019				
ENG M. Hart	12/11/2019	TITLE WAFER DIMENSIONS			
MFG		SCALE 1:5	SIZE A	DRAWING NO. 174001	REV A
QA					
CUST		DO NOT SCALE DRAWING			SHEET 1 OF 8
REVISED					

WAFER DIMENSIONS 2-Inch (50.8mm)

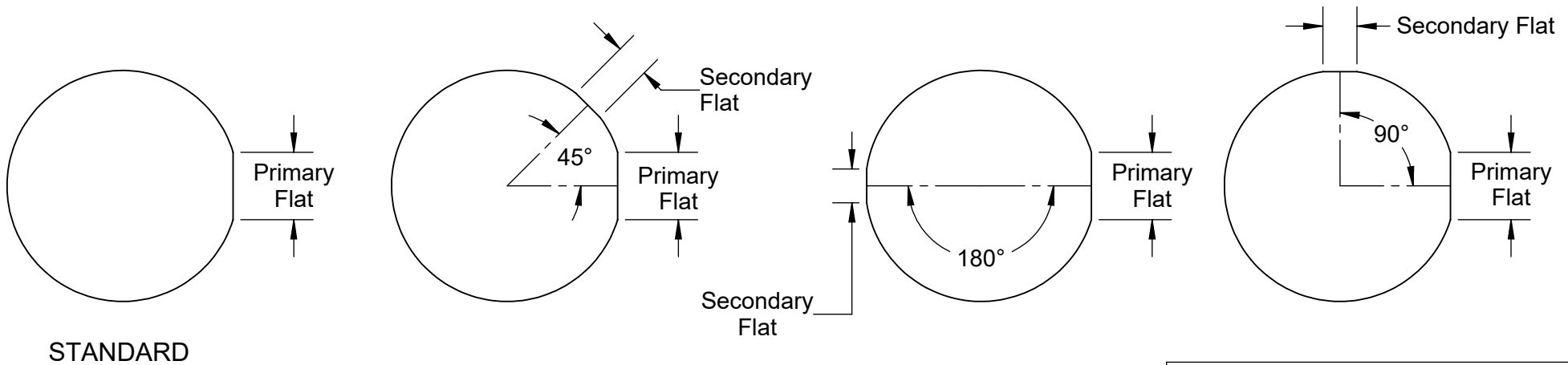
Wafer Size	2-Inch 50.8mm
Diameter	2.000" \pm 0.015" 50.8mm \pm 0.38mm
Thickness	0.011" \pm 0.001" 279 μ m \pm 25 μ m
Primary Flat Length	0.625" \pm 0.065" 15.88mm \pm 1.65mm
Secondary Flat Length	0.315" \pm 0.065" 8mm \pm 1.65mm
Secondary Flat Location	90° \pm 5° clockwise from primary flat
	45° \pm 5° clockwise from primary flat
	180° \pm 5° clockwise from primary flat



TopLine®			
TITLE WAFER DIMENSIONS 2-inch (50.8mm)			
SCALE 2:3	SIZE A	DRAWING NO. 174002	REV A
DO NOT SCALE DRAWING			SHEET 2 OF 8

WAFER DIMENSIONS 3-Inch (76.2mm)

Wafer Size	3-Inch 76.2mm
Diameter	3.000" \pm 0.025" 76.2mm \pm 0.63mm
Thickness	0.015" \pm 0.001" 381 μ m \pm 25 μ m
Primary Flat Length	0.875" \pm 0.125" 22.22mm \pm 3.17mm
Secondary Flat Length	0.44" \pm 0.06" 11.18mm \pm 1.52mm
Secondary Flat Location	90° \pm 5° clockwise from primary flat
	45° \pm 5° clockwise from primary flat
	180° \pm 5° clockwise from primary flat

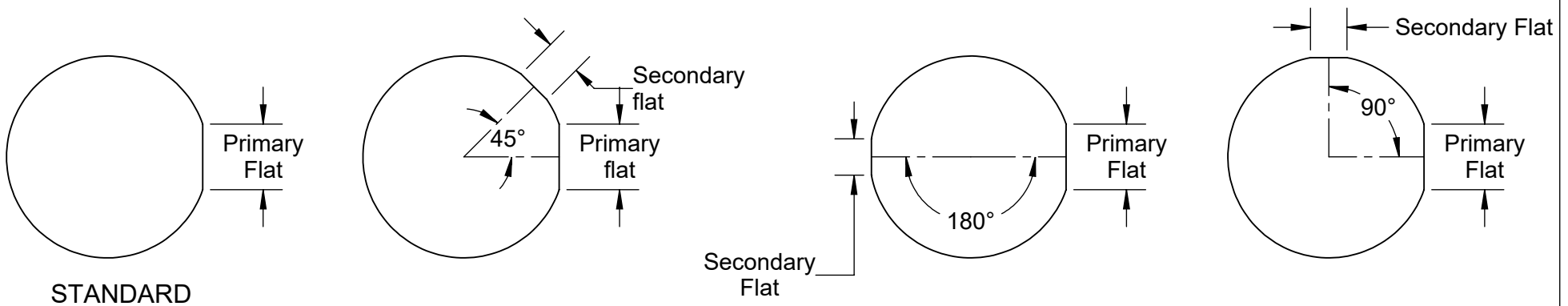


STANDARD

TopLine®			
TITLE WAFER DIMENSIONS 3-inch (76.2mm)			
SCALE 1:2	SIZE A	DRAWING NO. 174003	REV A
DO NOT SCALE DRAWING			SHEET 3 OF 8

WAFER DIMENSIONS 100mm (4-inch)

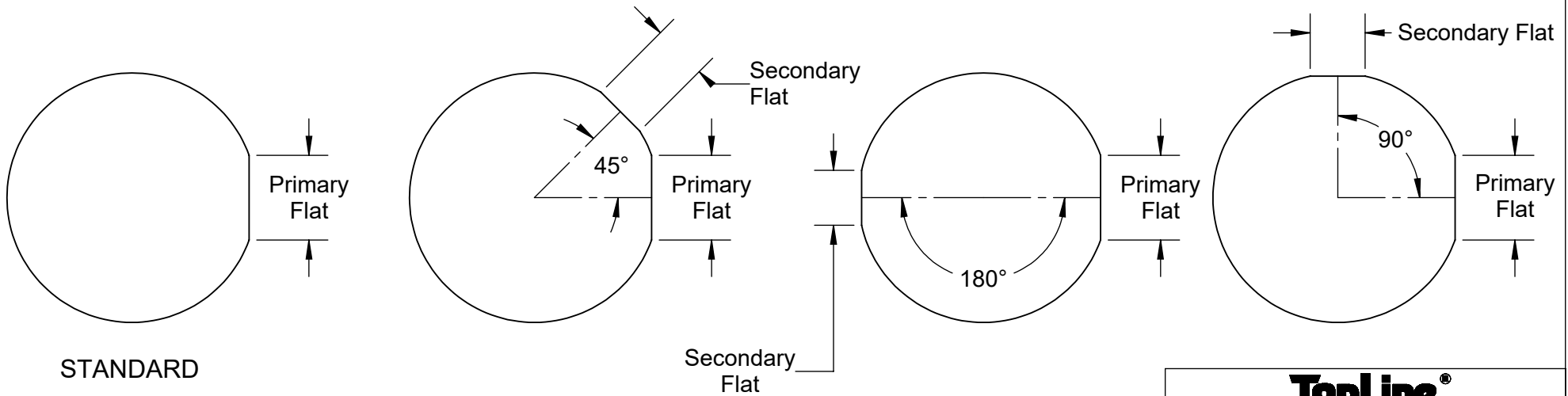
Wafer Size	100mm
Diameter	100mm \pm 0.5mm
Thickness	525 μ m \pm 20 μ m or 625 μ m \pm 20 μ m
Primary Flat Length	32.5mm \pm 2.5mm
Secondary Flat Length	18mm \pm 2.0mm
Secondary Flat Location	90° \pm 5° clockwise from primary flat 45° \pm 5° clockwise from primary flat 180° \pm 5° clockwise from primary flat



TopLine®			
TITLE WAFER DIMENSIONS 100mm (4-inch)			
SCALE 1:3	SIZE A	DRAWING NO. 174004	REV A
DO NOT SCALE DRAWING			SHEET 4 OF 8

WAFER DIMENSIONS 125mm (5-inch)

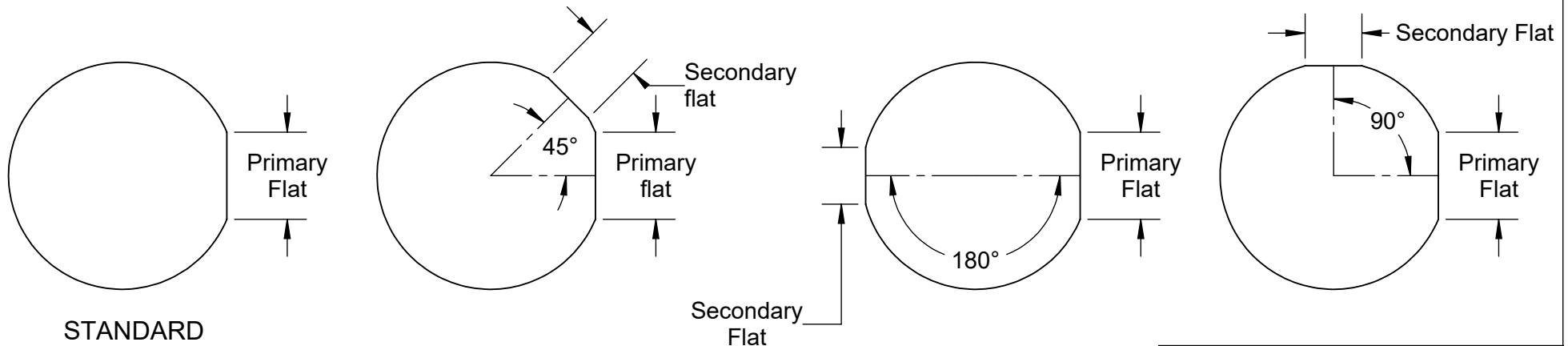
Wafer Size	125mm
Diameter	125mm \pm 0.5mm
Thickness	625 μ m \pm 20 μ m
Primary Flat Length	42.5mm \pm 2.5mm
Secondary Flat Length	27.5mm \pm 2.5mm
Secondary Flat Location	90° \pm 5° clockwise from primary flat
	45° \pm 5° clockwise from primary flat
	180° \pm 5° clockwise from primary flat



TopLine®			
TITLE WAFER DIMENSIONS 125mm (5-inch)			
SCALE 1:3	SIZE A	DRAWING NO. 174005	REV A
DO NOT SCALE DRAWING			SHEET 5 OF 8

WAFER DIMENSIONS 150mm (6-inch)

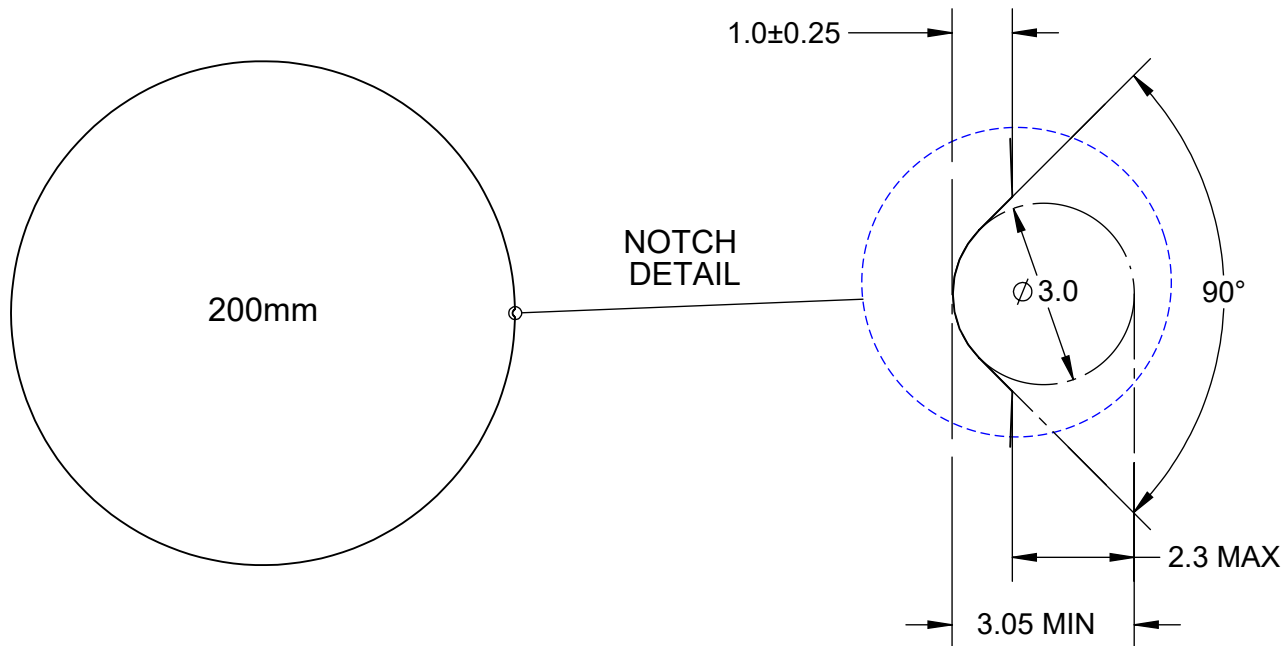
Wafer Size	150mm
Diameter	150mm \pm 0.2mm
Thickness	675 μ m \pm 20 μ m or 625 μ m \pm 15 μ m
Primary Flat Length	57.5mm \pm 2.5mm
Secondary Flat Length	37.5mm \pm 2.5mm
Secondary Flat Location	90° \pm 5° clockwise from primary flat
	45° \pm 5° clockwise from primary flat
	180° \pm 5° clockwise from primary flat



TopLine®			
TITLE WAFER DIMENSIONS 150mm (6-inch)			
SCALE 1:4	SIZE A	DRAWING NO. 174006	REV A
DO NOT SCALE DRAWING			SHEET 6 OF 8

WAFER DIMENSIONS 200mm (8-inch)

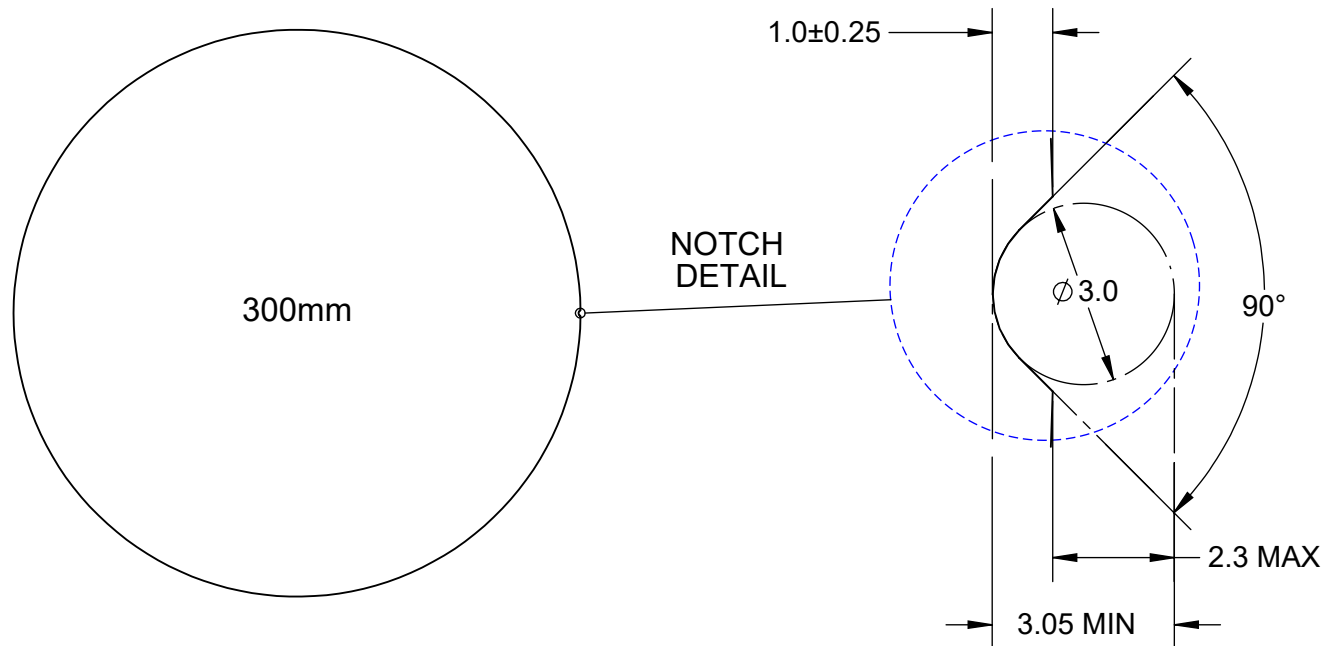
Wafer Size	200mm
Diameter	200mm \pm 0.2mm
Thickness	725 μ m \pm 20 μ m
Primary Flat Length	Notch
Secondary Flat Length	NA



TopLine[®]			
TITLE WAFER DIMENSIONS 200mm (8-inch)			
SCALE 1:3	SIZE A	DRAWING NO. 174008	REV A
DO NOT SCALE DRAWING			SHEET 7 OF 8

WAFER DIMENSIONS 300mm (12-inch)

Wafer Size	300mm
Diameter	300mm \pm 0.2mm
Thickness	775 μ m \pm 20 μ m
Primary Flat Length	Notch
Secondary Flat Length	NA



TopLine[®]			
TITLE WAFER DIMENSIONS 300mm (12-inch)			
SCALE 1:4	SIZE A	DRAWING NO. 174012	REV A
DO NOT SCALE DRAWING			SHEET 8 OF 8