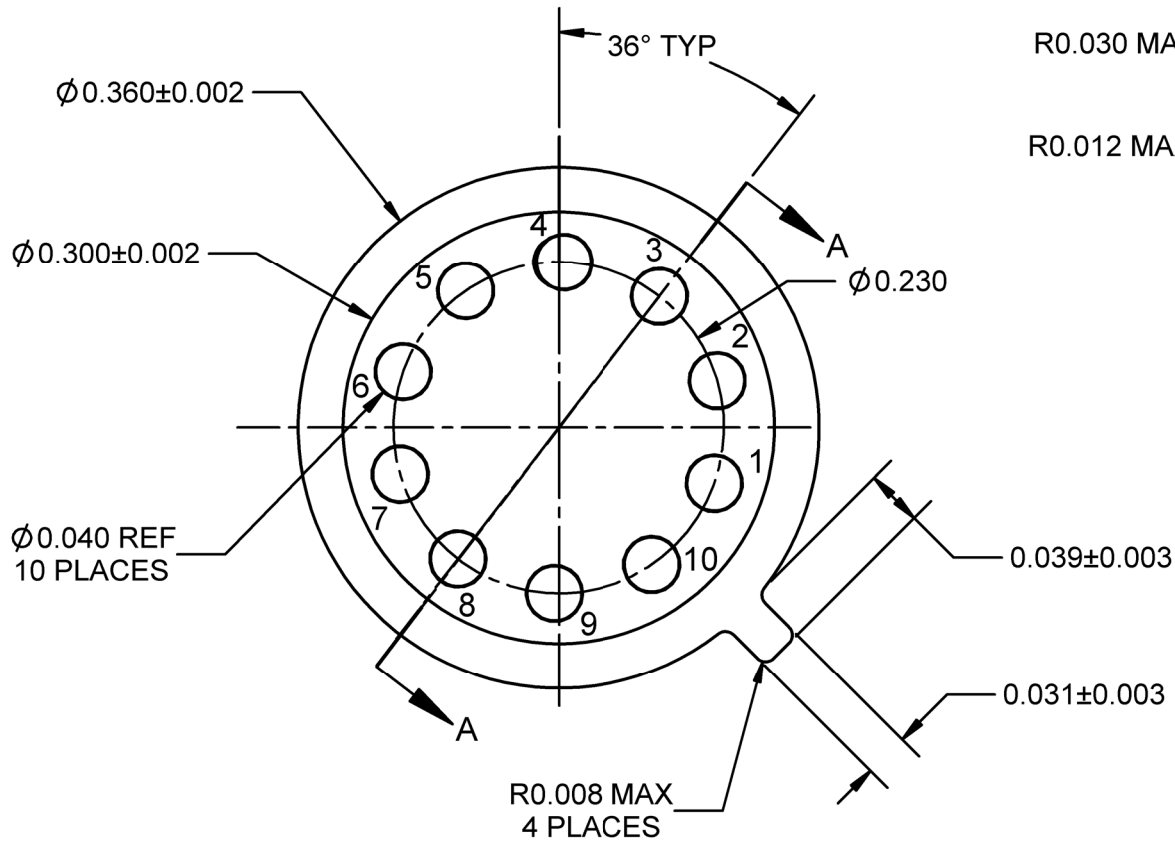
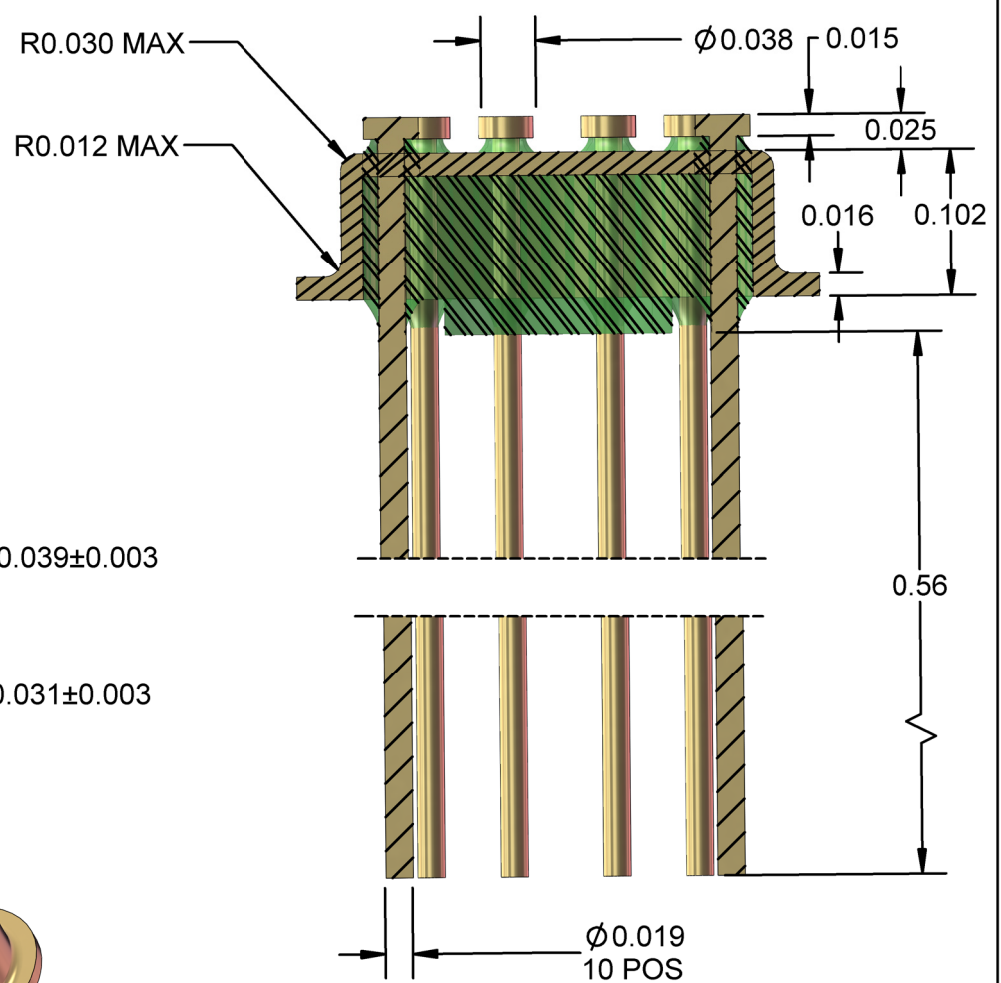


### TOP VIEW

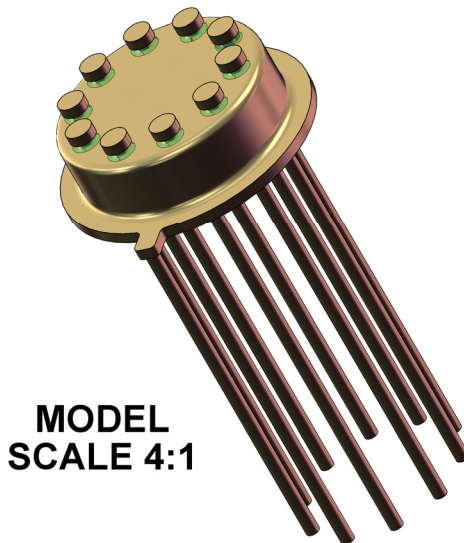


### SECTION VIEW A-A



SECTION A-A  
SCALE 7.5 : 1

NAILHEAD TOP SURFACE FREE OF GLASS



**NOTES:**

1. DIMMENSIONS INCH (Unless Otherwise Specified).
2. BODY KOVAR ASTM F45 ALLOY 42.
3. LEADS KOVAR ASTM F15.
4. GLASS 7052 OR EQUIVALENT.
5. PLATING: Ni 100~300 Micro-inch  
Au 50 Micro-inch MIN

APPROVALS	DATE	<b>TopLine®</b>			
DRAWN T. Au	6/3/2018				
ENG M. Hart	6/3/2018	TITLE TO-5 HEADER 10L NAILHEAD ISOLATED			
MFG		SCALE	SIZE	DRAWING NO.	REV
QA		7.5:1	A	140510	A
CUST		DO NOT SCALE DRAWING			SHEET 1 OF 1
REVISED					