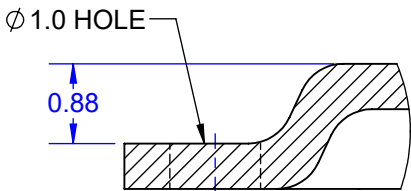
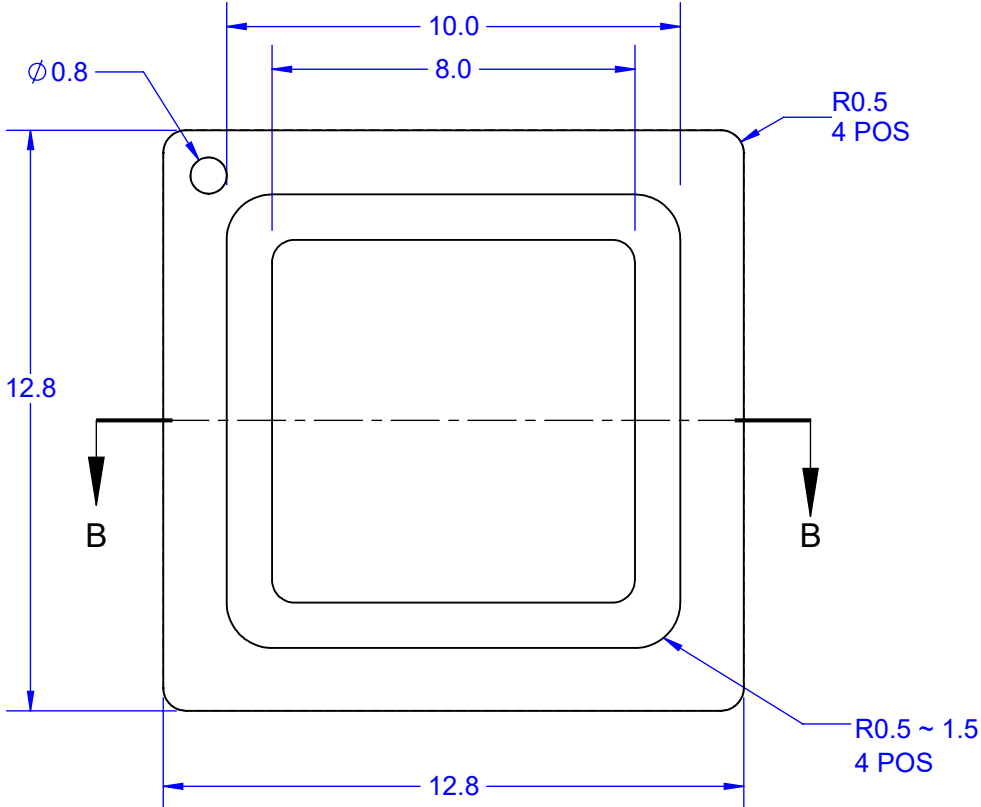
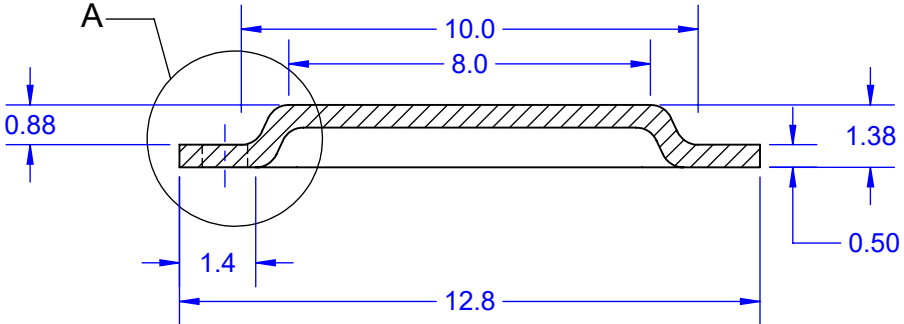


HEAT SPREADER

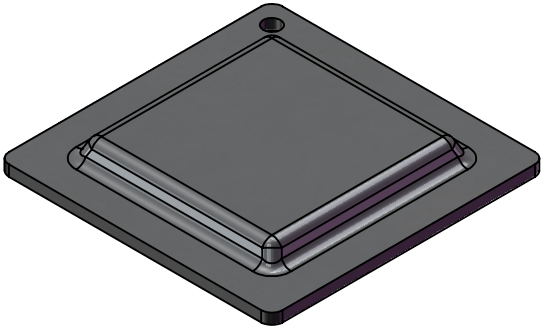


DETAIL A
SCALE 12 : 1

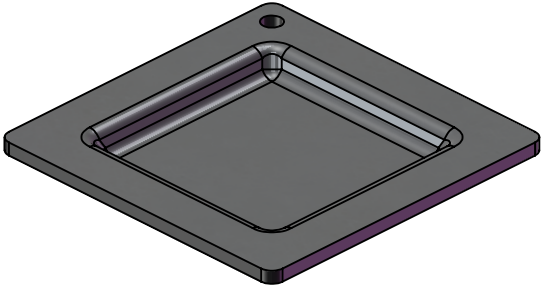


SECTION B-B
SCALE 6 : 1

TOP



MODEL



CAVITY

NOTES:

- 1. DIMENSION in MM
- 2. MATERIAL: COPPER ALLOY C1020 OR C1100
HALF HARD, OXYGEN FREE
- 3. PLATING: NICKEL 5um MIN (SEMI FINISH)

APPROVALS	DATE	TopLine®			
DRAWN T. Au	2/22/2022				
ENG M. Hart	2/22/2022	TITLE H-CAP13A HEAT SPREADER			
MFG		SCALE 6:1	SIZE A	DRAWING NO. 213710	REV A
QA					
CUST		DO NOT SCALE DRAWING			SHEET 1 OF 1
REVISED					