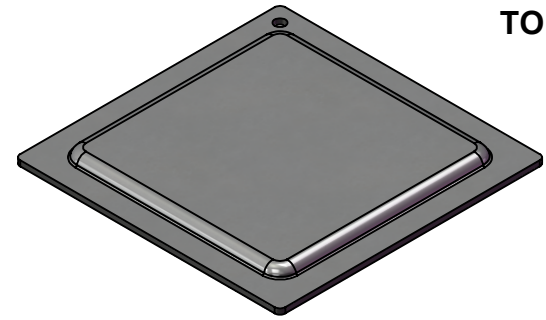
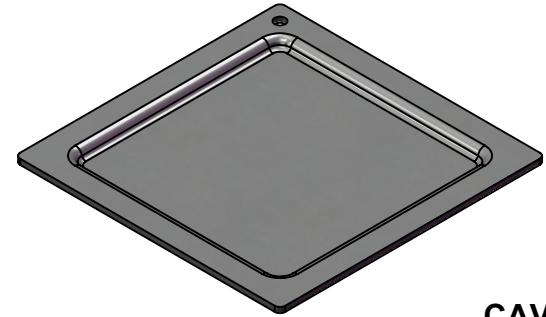


HEAT SPREADER

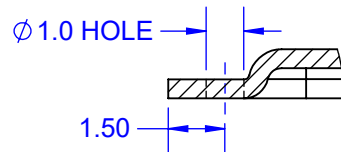
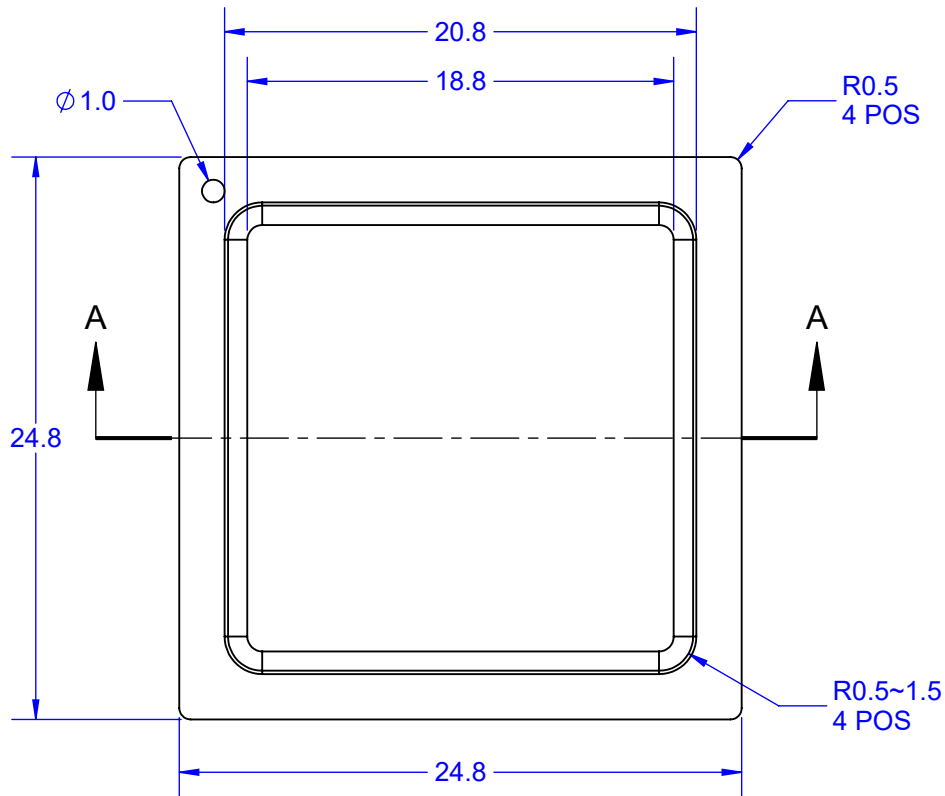
TOP



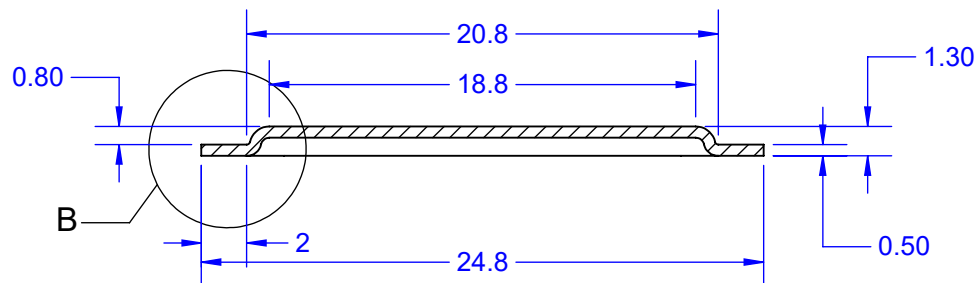
MODEL



CAVITY



DETAIL B
SCALE 5 : 1



SECTION A-A
SCALE 3 : 1

APPROVALS	DATE	TopLine[®]			
DRAWN T. Au	4/14/2022				
ENG M. Hart	4/14/2022	TITLE H-CAP25A DOME LID			
MFG		SCALE 2.5:1	SIZE A	DRAWING NO. 225710	REV A
QA		DO NOT SCALE DRAWING			SHEET 1 OF 1
CUST					
REVISED					