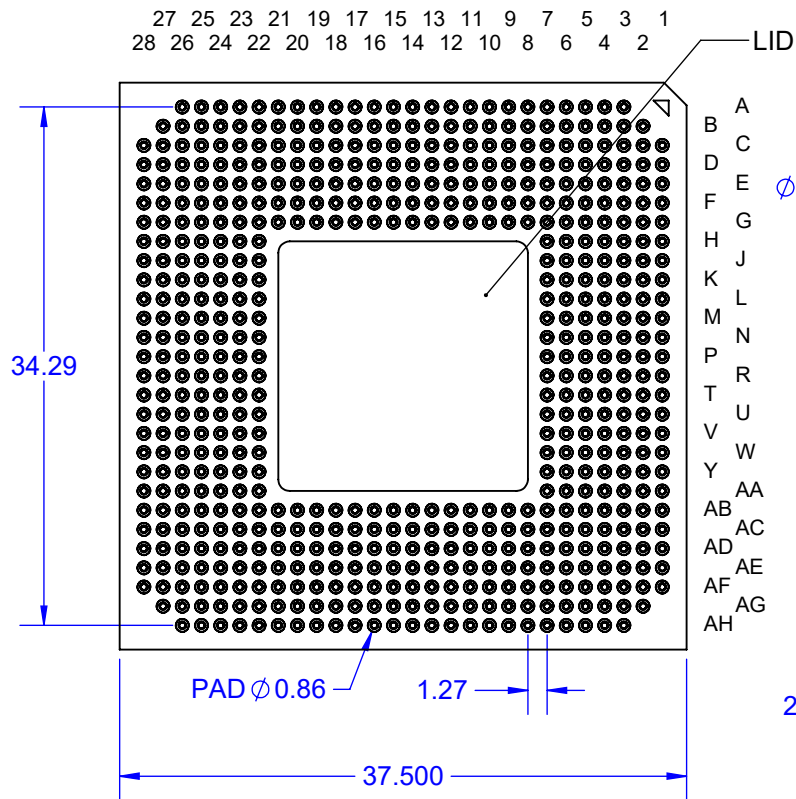
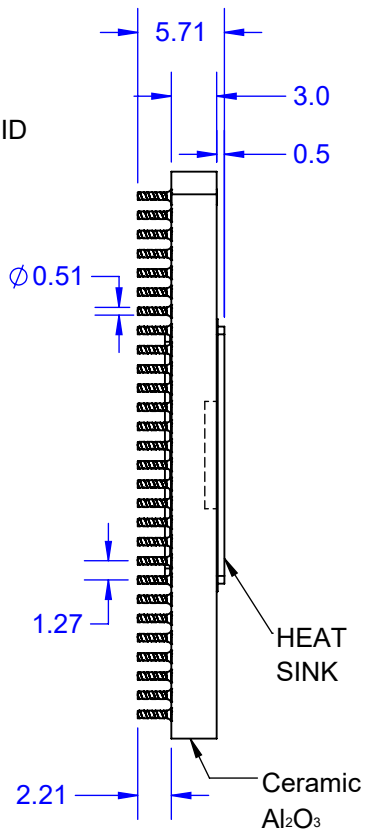


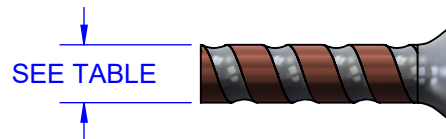
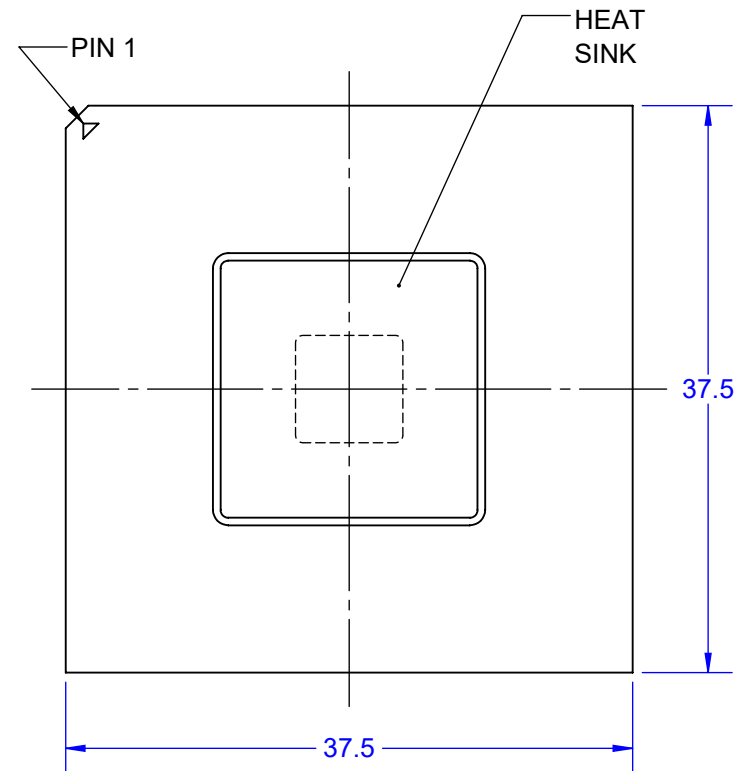
BOTTOM VIEW WITH LID CAVITY DOWN



SIDE VIEW



TOP VIEW WITH HEAT SINK



Notes: (Unless Otherwise Specified).

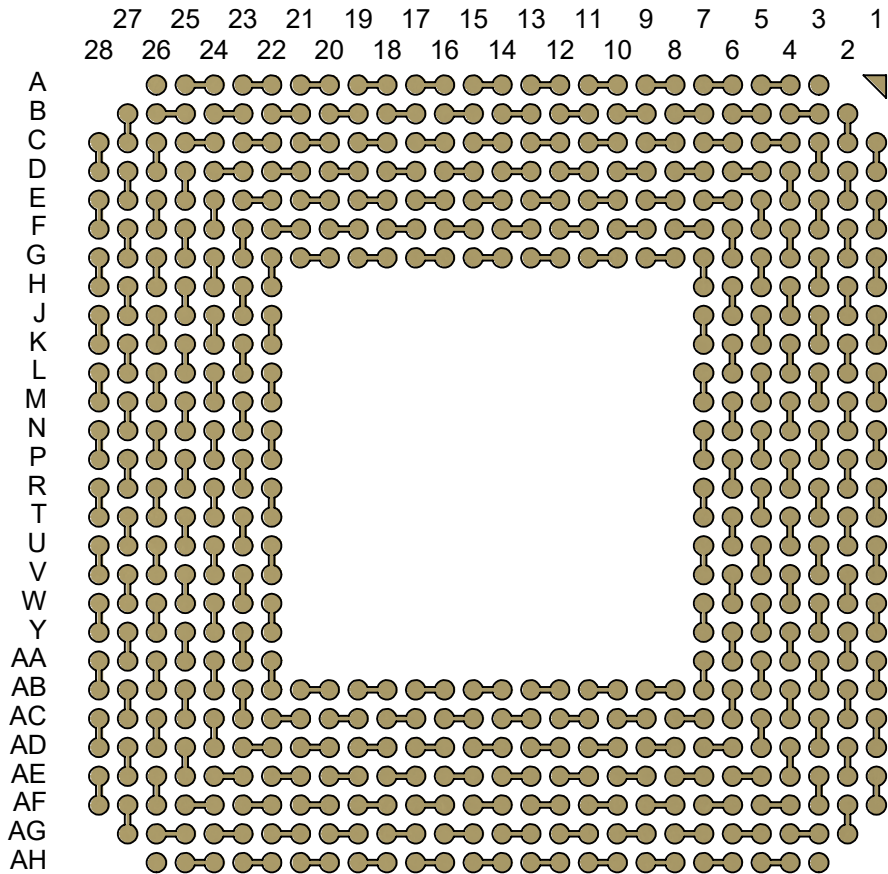
- 1) DIMENSIONS ARE MM.
- 2) SHOWN WITH COLUMNS.
- 3) SHOWN WITH LID COVER ATTACHED.

PART NUMBER OPTIONS			
PART NUMBER	COLUMN ALLOY	COPPER WRAP	DIAMETER
CCGA576T1.27-DC284D	Pb80 / Sn20	YES	Ø0.51 MM

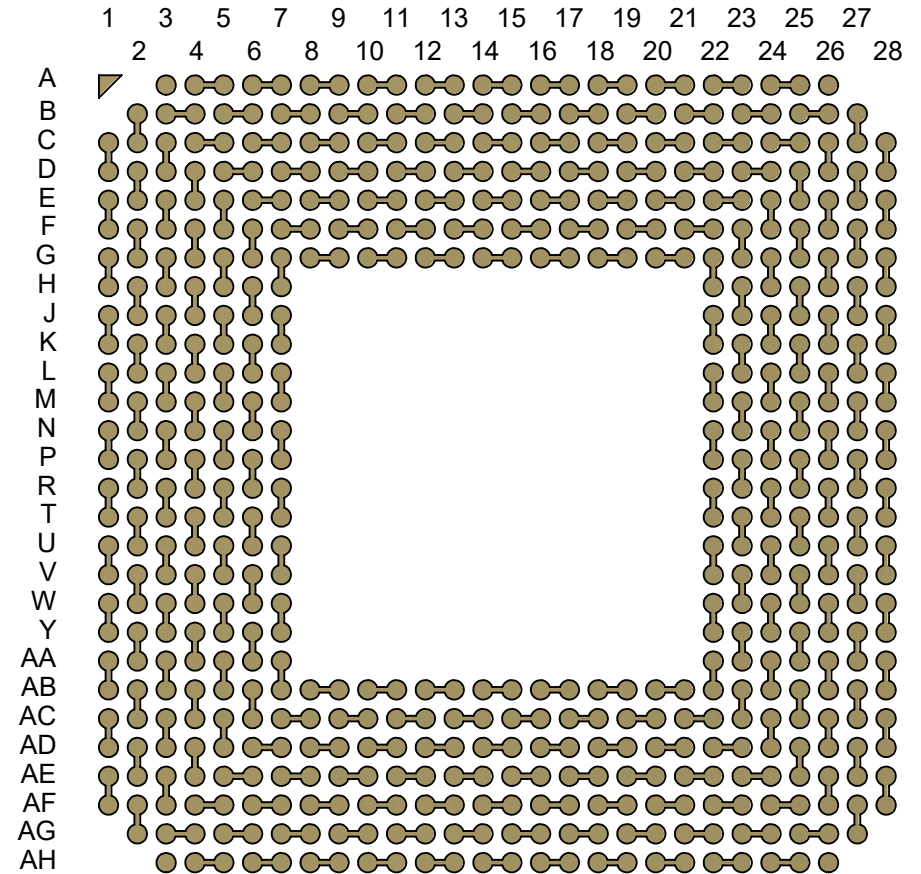
APPROVALS	DATE	TopLine®			
DRAWN T. Au	3/5/2022				
ENG M. Hart	3/5/2022	TITLE CCGA576T1.27-DC284D COLUMN GRID ARRAY			
MFG		SCALE	SIZE	DRAWING NO.	REV
QA		2.5:1	A	160094	A
CUST		DO NOT SCALE DRAWING			SHEET 1 OF 4
REVISED					

DAISY CHAIN PATTERN

COLUMN (PAD) VIEW



TOP X-RAY VIEW



TopLine®

TITLE CCGA576T1.27-DC284D
COLUMN GRID ARRAY

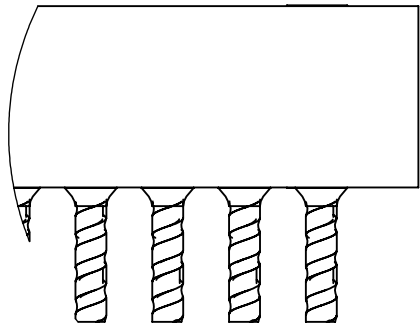
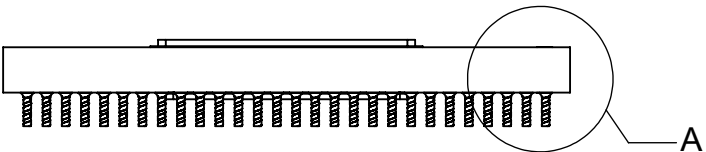
SCALE 4:1	SIZE A	DRAWING NO. 160094	REV A
--------------	-----------	-----------------------	----------

DO NOT SCALE DRAWING

SHEET 2 OF 4

SOLDER PIN OPTIONS

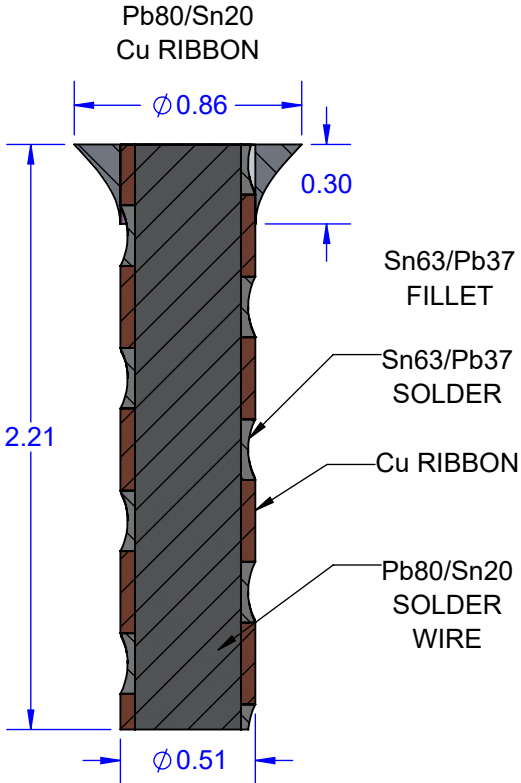
DIMENSIONS: INCHES



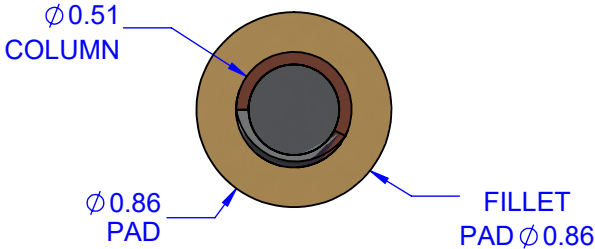
DETAIL A
SCALE 8 : 1



Pb80/Sn20
Cu RIBBON
SCALE 15:1



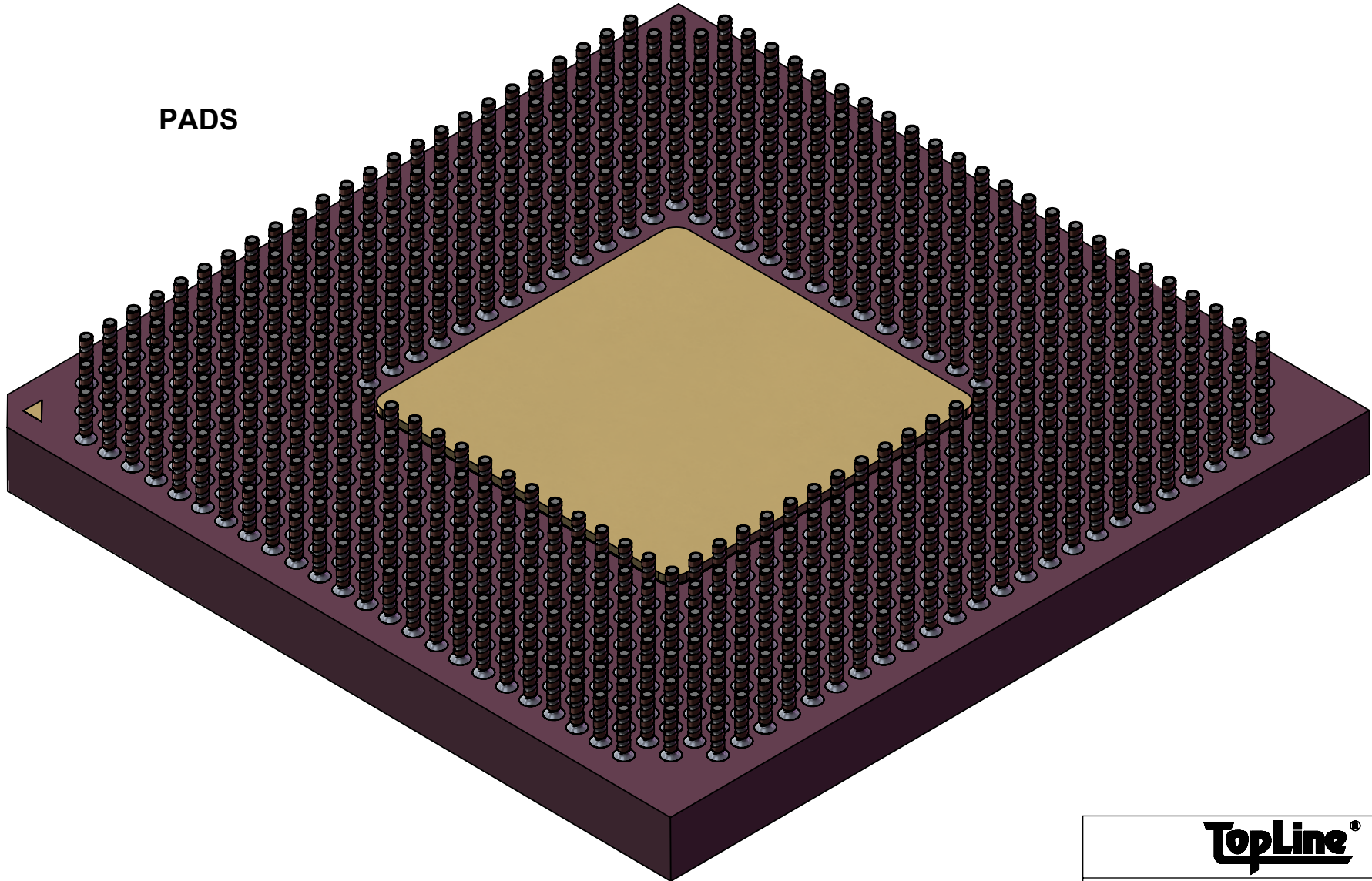
SECTION B-B
SCALE 35 : 1



TopLine®			
TITLE CCGA576T1.27-DC284D COLUMN GRID ARRAY			
SCALE 8:1	SIZE A	DRAWING NO. 160094	REV A
DO NOT SCALE DRAWING			SHEET 3 OF 4

MODEL
CCGA576T1.27-DC284D
Pb80/Sn20 COPPER WRAPPED
COLUMNS

PADS



TopLine®

TITLE CCGA576T1.27-DC284D
COLUMN GRID ARRAY

SCALE 2.5:1	SIZE A	DRAWING NO. 160094	REV A
----------------	-----------	-----------------------	----------

DO NOT SCALE DRAWING

SHEET 4 OF 4