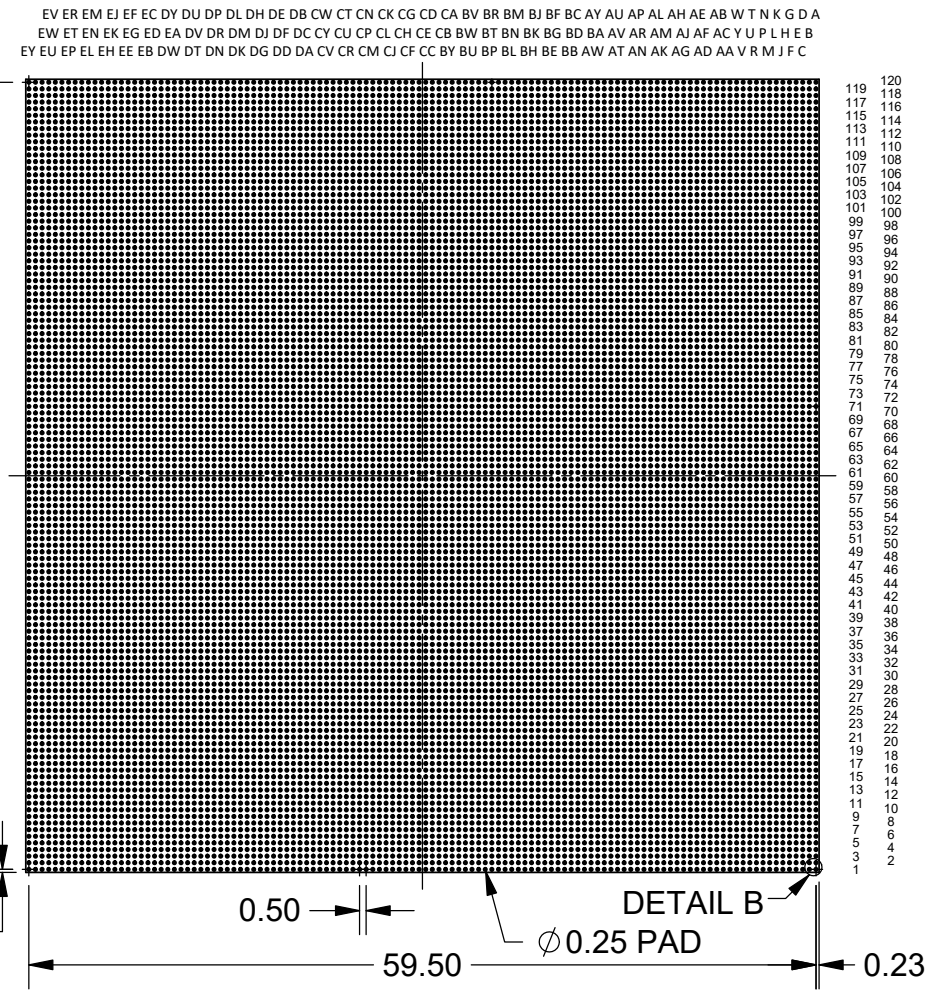
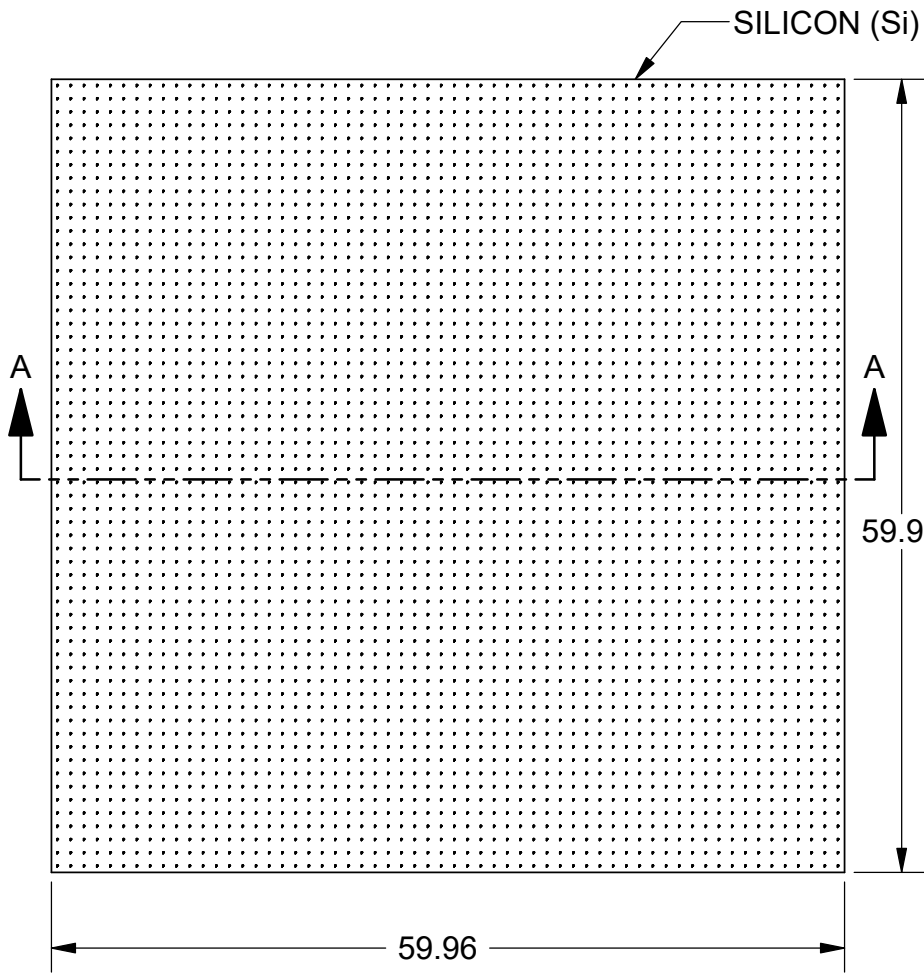


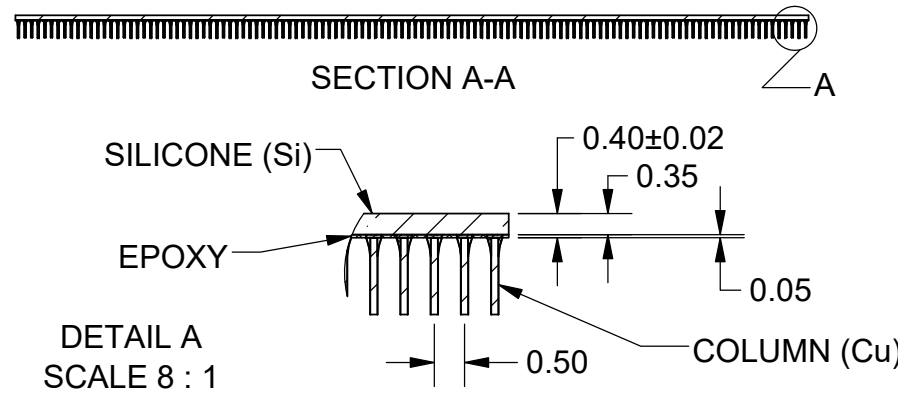
TOP VIEW

PAD VIEW



EV ER EM EJ EF EC DY DU DP DL DH DE DB CW CT CN CK CG CD CA BV BR BM BJ BF BC AY AU AP AL AH AE AB W T N K G D A
 EW ET EN EK EG ED EA DV DR DM DJ DF DC CY CU CP CL CH CE CB BW BT BN BK BG BD BA AV AR AM AJ AF AC Y U P L H E B
 EY EU EP EL EH EE EB DW DT DN DK DG DD DA CV CR CM CJ CF CC BY BU BP BL BH BE BB AW AT AN AK AG AD AA V R M J F C

119 120
 118 118
 117 116
 116 114
 115 112
 114 110
 111 108
 109 108
 108 106
 107 104
 106 104
 105 103
 104 102
 103 100
 102 99
 101 98
 99 96
 98 94
 97 92
 96 90
 95 88
 94 88
 93 86
 92 84
 91 82
 90 80
 89 78
 88 76
 87 74
 86 72
 85 70
 84 68
 83 66
 82 64
 81 62
 80 60
 79 58
 78 56
 77 54
 76 52
 75 50
 74 48
 73 46
 72 44
 71 42
 70 40
 69 38
 68 36
 67 34
 66 32
 65 30
 64 28
 63 26
 62 24
 61 22
 60 20
 59 18
 58 16
 57 14
 56 12
 55 10
 54 8
 53 6
 52 4
 51 3
 50 2
 49 1

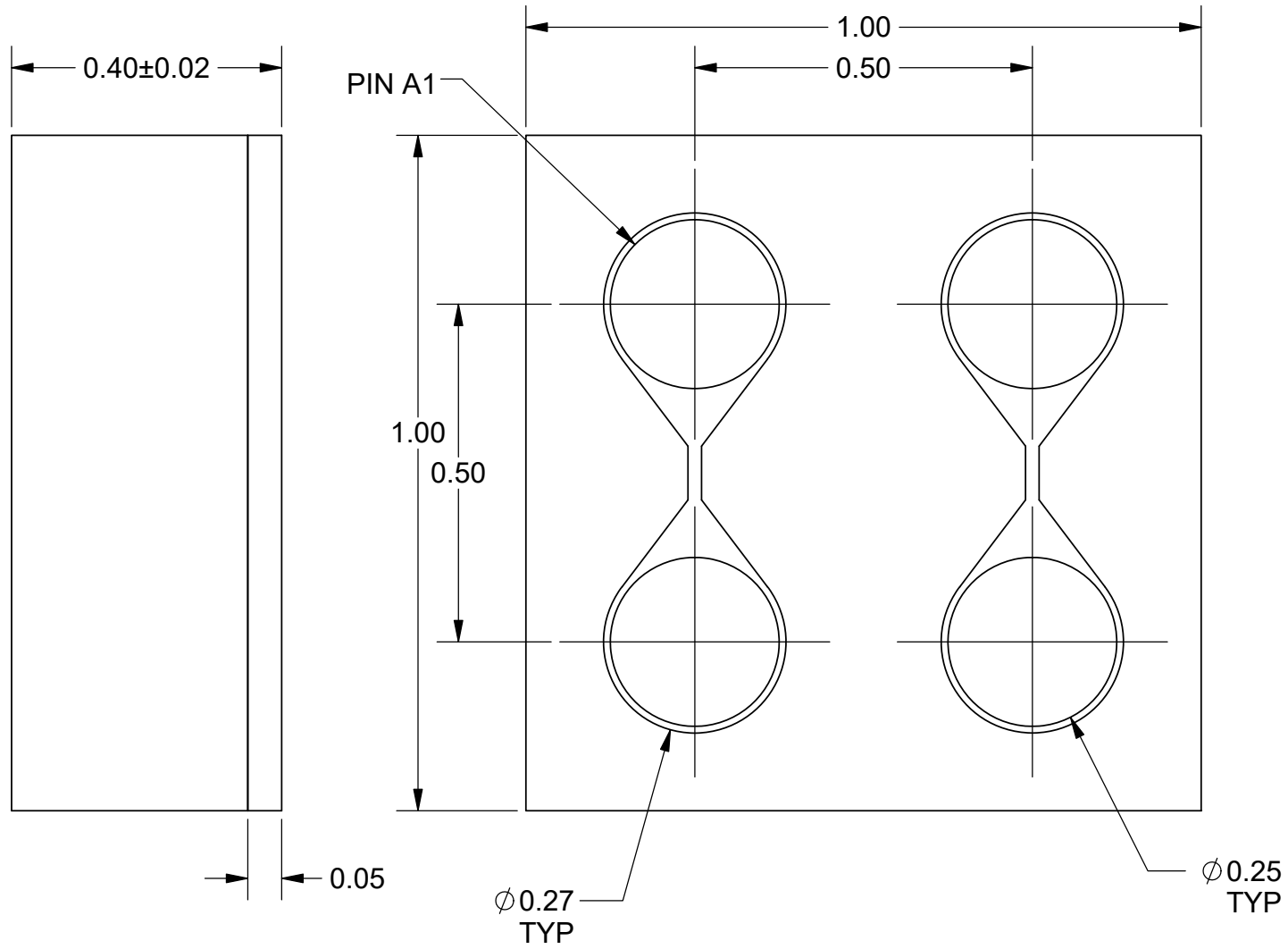


DETAIL A
 SCALE 8 : 1

- NOTES: (UNLESS OTHERWISE SPECIFIED).
 1) ALL DIMENSIONS ARE IN MM.
 2) PAD ALLOY: Cu (50 μm THICK).
 3) PAD Cu DIAMETER Ø0.25.
 4) DIE MATERIAL: Si (SILICON).
 5) DAISY CHAIN PATTERN, SEE PAGE 4.

TOLERANCE UNLESS NOTED		APPROVALS		DATE						
X.X	+/- 0.1	DRAWN J. Hines		6/11/2017						
X.XX	+/- 0.05	ENG M. Hart		6/11/2017		TITLE CG14400T.5-DC120				
X.XXX	+/- 0.025	MFG				14400L P=0.5mm (DAISY CHAIN)				
ANGLES +/- 0.5°		THIRD ANGLE PROJECTION		SCALE 1.75:1		SIZE A		DRAWING NO. 651200		REV A
ALL DIMENSIONS IN <input type="checkbox"/> INCHES <input checked="" type="checkbox"/> MILLIMETERS		REVISED				DO NOT SCALE DRAWING		SHEET 1 OF 5		

DETAIL B
COPPER PAD
BEFORE DICING



TopLine[®]

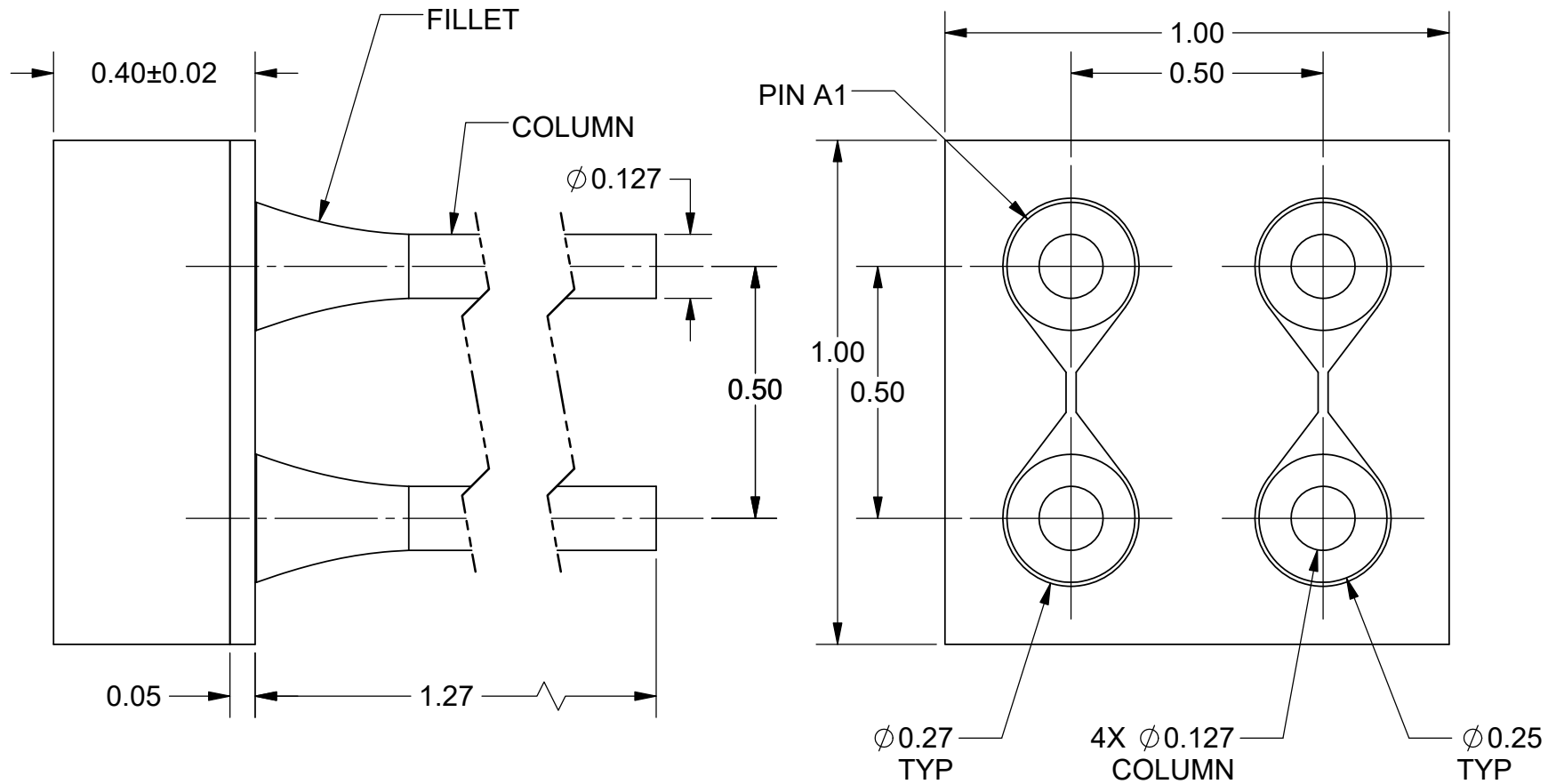
TITLE CG14400T.5-DC120
14400L P=0.5mm (DAISY CHAIN)

SCALE	SIZE	DRAWING NO.	REV
100:1	A	651200	A

DO NOT SCALE DRAWING

SHEET 2 OF 5

DETAIL C
COPPER PADS
WITH COLUMNS

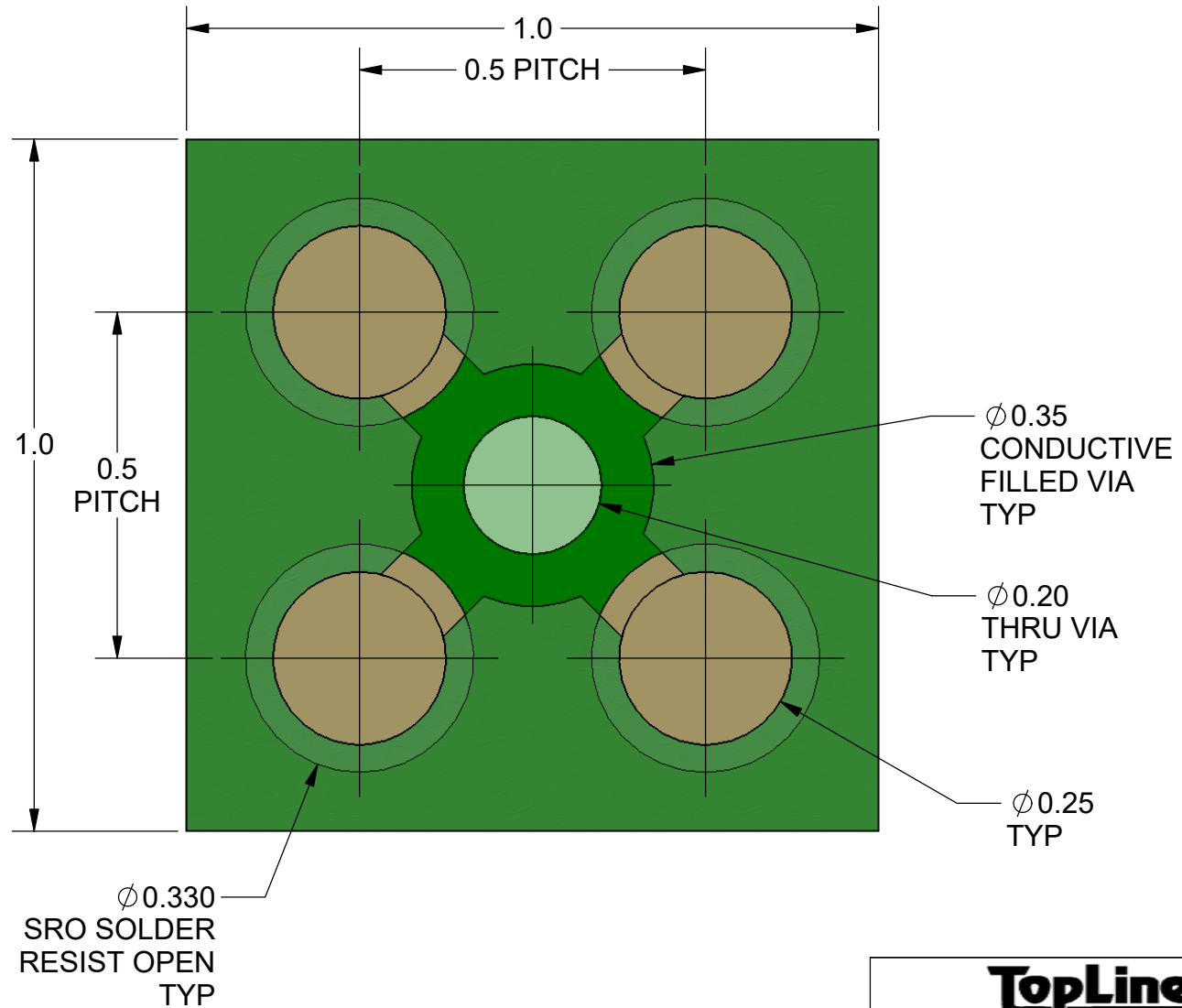


NOTES:

- 1) DIMENSIONS: MM.
- 2) COLUMN MATERIAL: CDA101 COPPER ANNEALED.
- 3) COLUMN PLATING OPTIONS:
 - A. Sn60/Pb40, THICKNESS 5 µm (200 MICRO-INCH).
 - B. Sn100, THICKNESS 5 µm (200 MICRO-INCH).

TopLine [®]			
TITLE CG14400T.5-DC120 14400L P=0.5mm (DAISY CHAIN)			
SCALE 75:1	SIZE A	DRAWING NO. 651200	REV A
DO NOT SCALE DRAWING		SHEET 3 OF 5	

DETAIL D
RECOMMENDED PCB
LAND PATTERN
LAYER 1



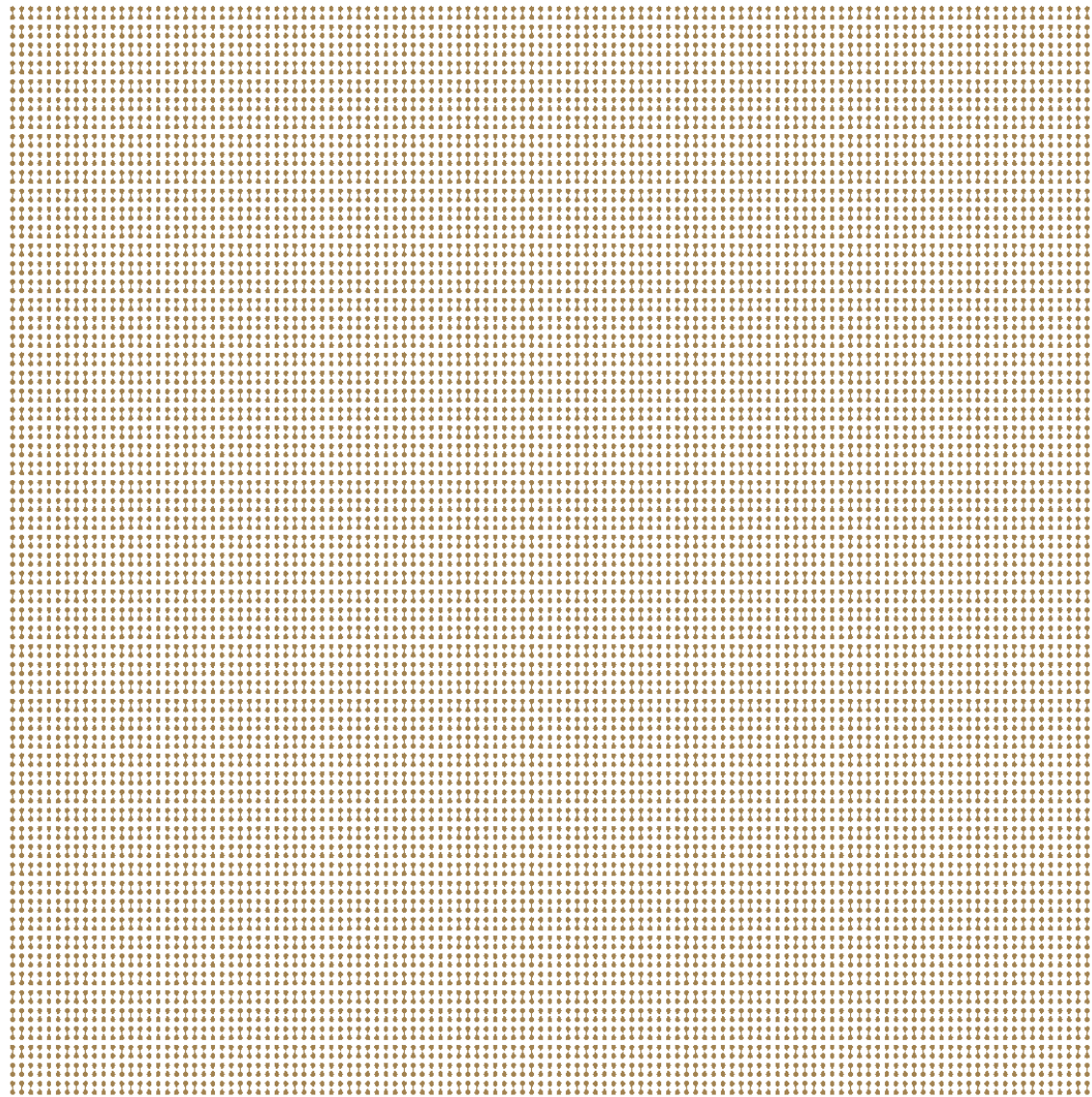
NOTES:

- 1) GROUPS OF FOUR PADS CONNECTED BY TRACES.
- 2) SELECTED PADS CONNECT TO GROUND VIAS.
- 3) VIAS ARE CONDUCTIVELY FILLED AND TENTED ON BOTH SIDES OF PWB.

TopLine [®]			
TITLE CG14400T.5-DC120 14400L P=0.5mm (DAISY CHAIN)			
SCALE 100:1	SIZE A	DRAWING NO. 651200	REV A
DO NOT SCALE DRAWING		SHEET 4 OF 5	

DAISY CHAIN PATTERN TOP X-RAY VIEW OF PADS

EY EU EP EL EH EE EB DW DT DN DK DG DD DA CV CR CM CJ CF CC BY BU BP BL BH BE BB AW AT AN AK AG AD AA V R M J F C
EW ET EN EK EG ED EA DV DR DM DJ DF DC CY CU CP CL CH CE CB BW BT BN BK BG BD BA AV AR AM AJ AF AC Y U P L H E B
EV ER EM EJ EF EC DY DU DP DL DH DE DB CW CT CN CK CG CD CA BV BR BM BJ BF BC AY AU AP AL AH AE AB W T N K G D A



120
119
118
117
116
115
114
113
112
111
110
109
108
107
106
105
104
103
102
101
100
99
98
97
96
95
94
93
92
91
90
89
88
87
86
85
84
83
82
81
80
79
78
77
76
75
74
73
72
71
70
69
68
67
66
65
64
63
62
61
60
59
58
57
56
55
54
53
52
51
50
49
48
47
46
45
44
43
42
41
40
39
38
37
36
35
34
33
32
31
30
29
28
27
26
25
24
23
22
21
20
19
18
17
16
15
14
13
12
11
10
9
8
7
6
5
4
3
2
1

TopLine [®]			
TITLE CG14400T.5-DC120 14400L P=0.5mm (DAISY CHAIN)			
SCALE 2.5:1	SIZE A	DRAWING NO. 651200	REV A
DO NOT SCALE DRAWING			SHEET 5 OF 5