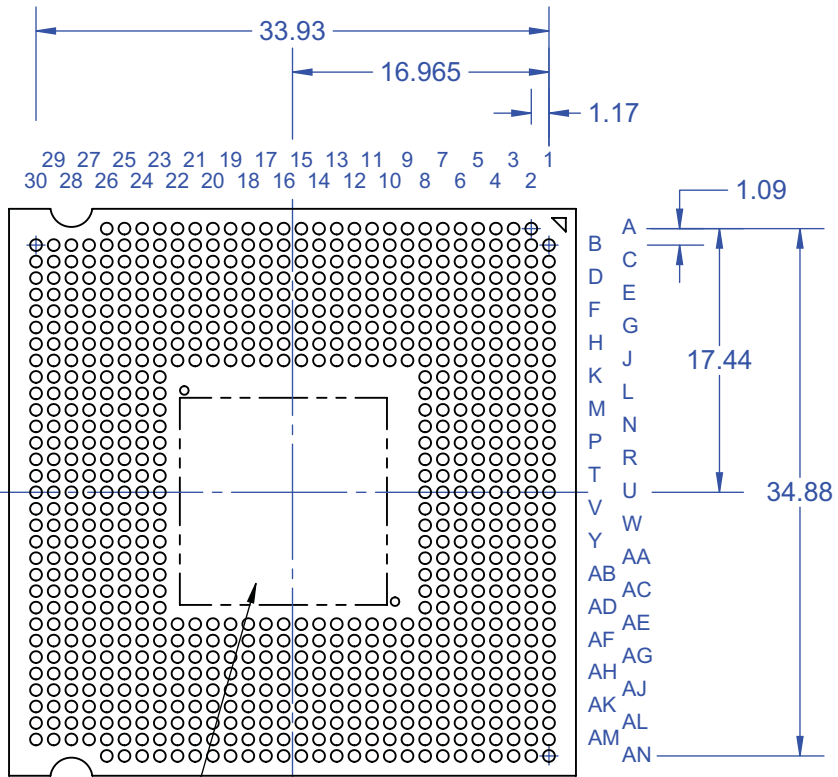
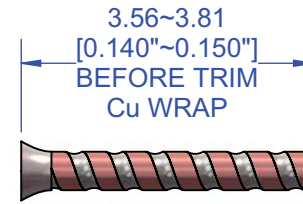


BOTTOM VIEW

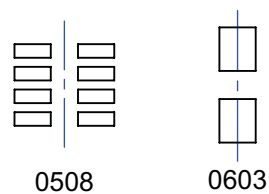
SIDE VIEW

TOP VIEW

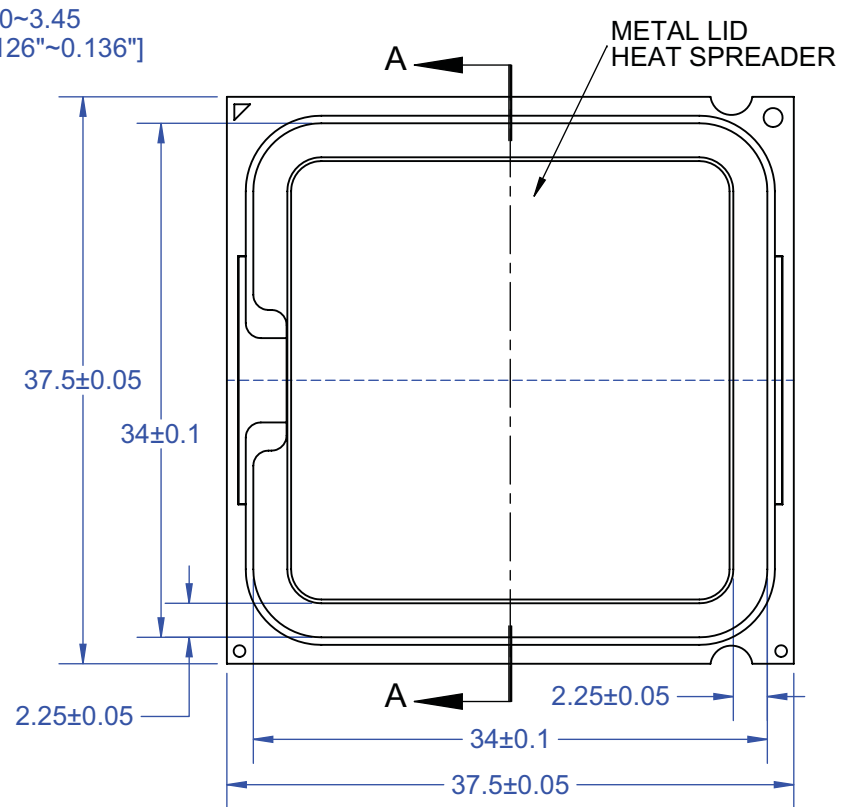


SEE DETAIL B
CAPACITOR PADS

SEE DETAIL B
CAPACITOR ARRAY
SEE PAGE 7



NOTES:
Pitch 1.17mm (46.06 mil) - Pad Matrix 30
Pitch 1.09mm (42.91 mil) - Pad Matrix 33

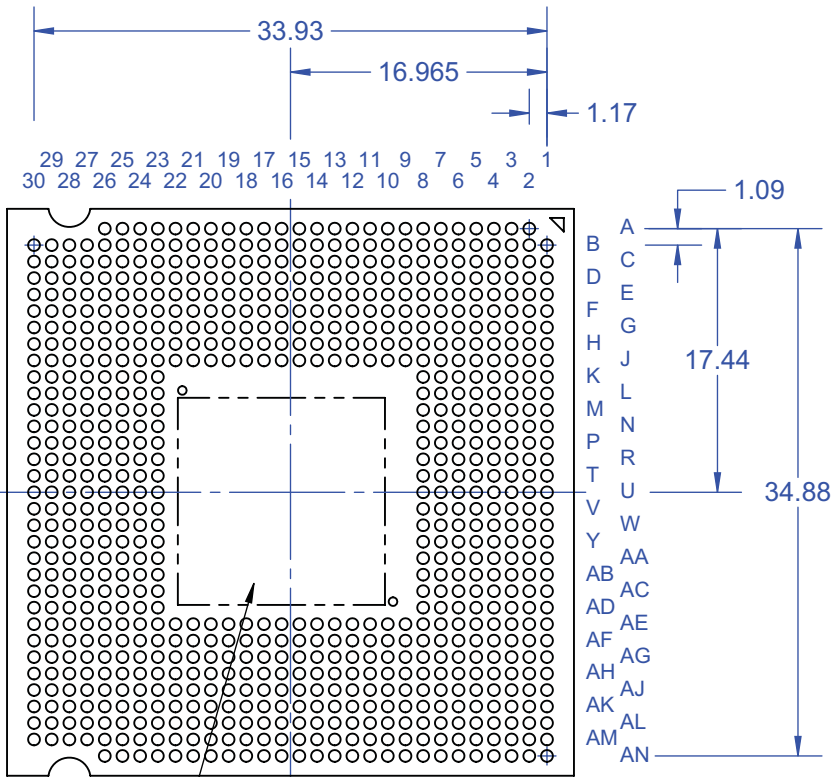


Notes: (Unless Otherwise Specified)
1) DIMENSIONS ARE IN mm.
2) PLASTIC LGA WITH COLUMNS.
3) OUTLINE SIMILAR TO INTEL 5400 SERIES.

PART NUMBER OPTIONS				
PART NUMBER	DIE	SOLDER PIN	LID	CAPACITOR
WCGA771C	YES	Pb80/Sn20	YES	YES

APPROVALS	DATE	TopLine®			
DRAWN T.Au	01/04/15				
ENG M. Hart	01/04/15	TITLE WCGA771 COLUMN GRID ARRAY			
MFG		SCALE 2:1	SIZE A	DRAWING NO. 160410	REV A
QA		DO NOT SCALE DRAWING			SHEET 1 OF 6
CUST					
REVISED					

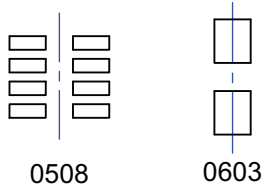
BOTTOM VIEW



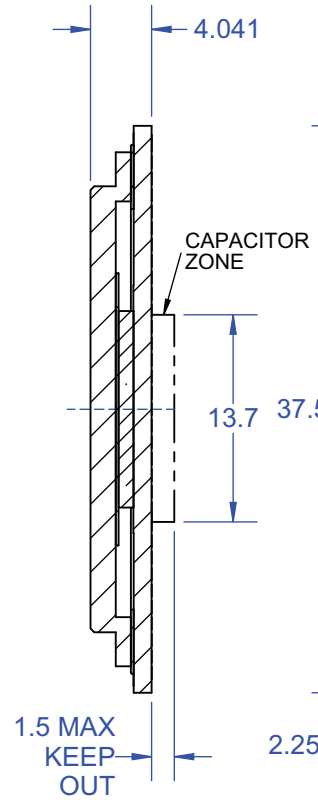
SEE DETAIL B
CAPACITOR PADS

NOTES:
Pitch 1.17mm (46.06 mil) - Pad Matrix 30
Pitch 1.09mm (42.91 mil) - Pad Matrix 33

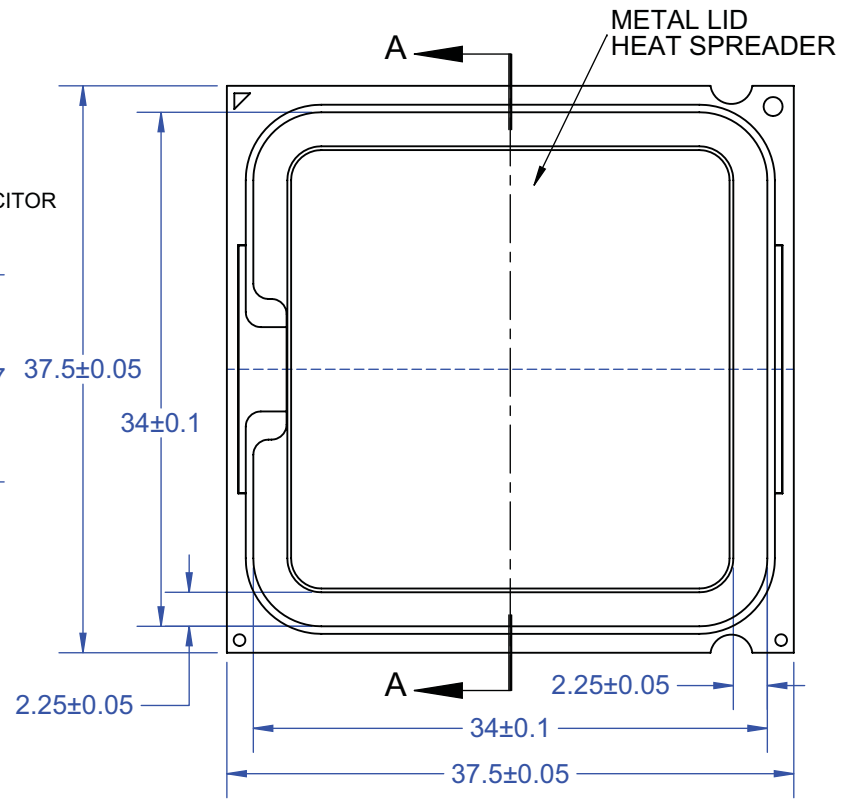
SEE DETAIL B
CAPACITOR ARRAY
SEE PAGE 7



SIDE VIEW



TOP VIEW

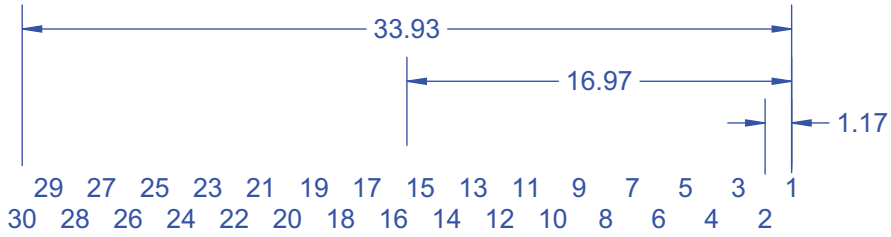


Notes: (Unless Otherwise Specified)
1) DIMENSIONS ARE IN mm.
2) PLASTIC LGA WITHOUT COLUMNS.
3) OUTLINE SIMILAR TO INTEL 5400 SERIES.

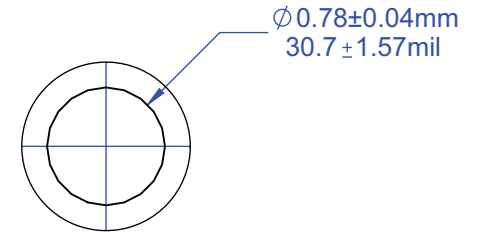
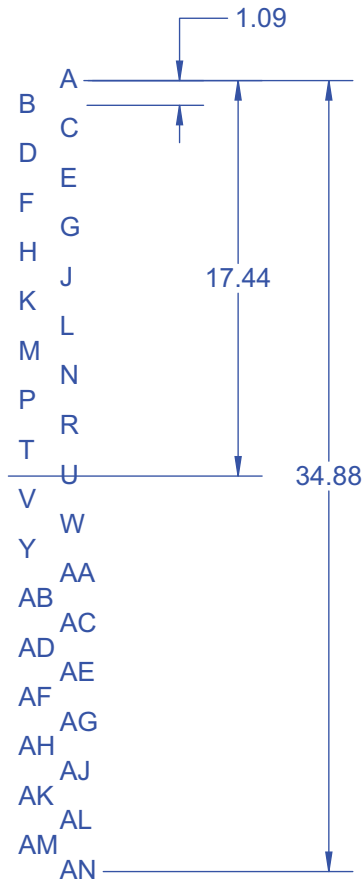
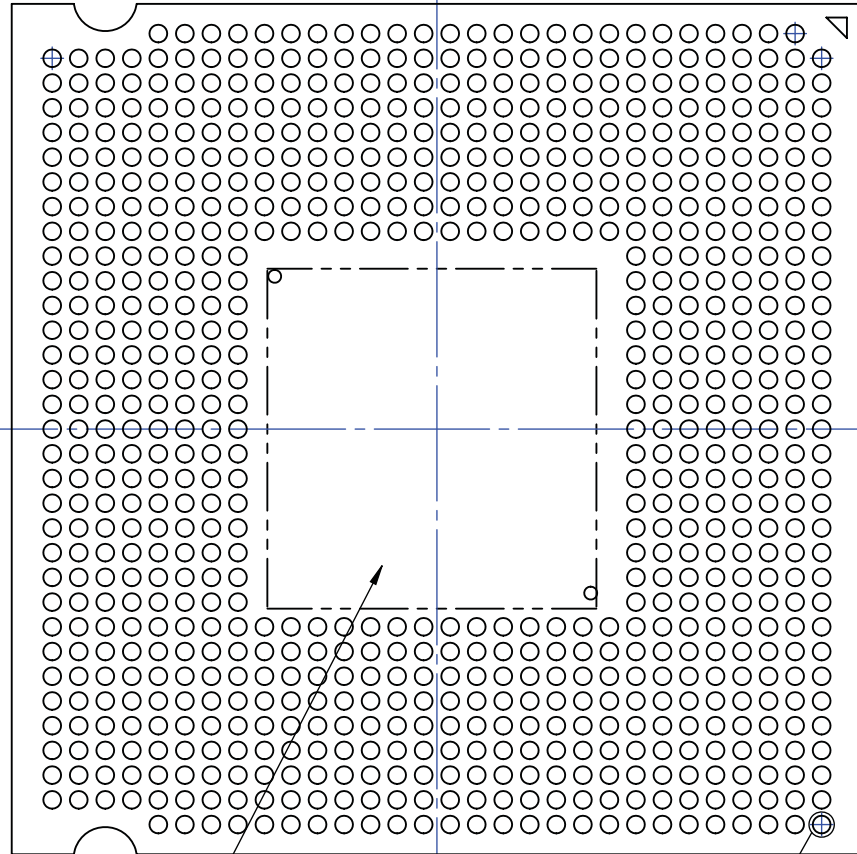
PART NUMBER OPTIONS				
PART NUMBER	DIE	SOLDER PIN	LID	CAPACITOR
LGA771-30x33F	YES	NONE	YES	YES

APPROVALS	DATE	TopLine®			
DRAWN T.Au	01/04/15				
ENG M. Hart	01/04/15	TITLE WCGA771 COLUMN GRID ARRAY			
MFG		SCALE 2:1	SIZE A	DRAWING NO. 160410	REV A
QA					
CUST					
REVISED		DO NOT SCALE DRAWING			SHEET 2 OF 6

BOTTOM VIEW



NOTES:
 Pitch 1.17mm (46.06 mil) - Pad Matrix 30
 Pitch 1.09mm (42.91 mil) - Pad Matrix 33



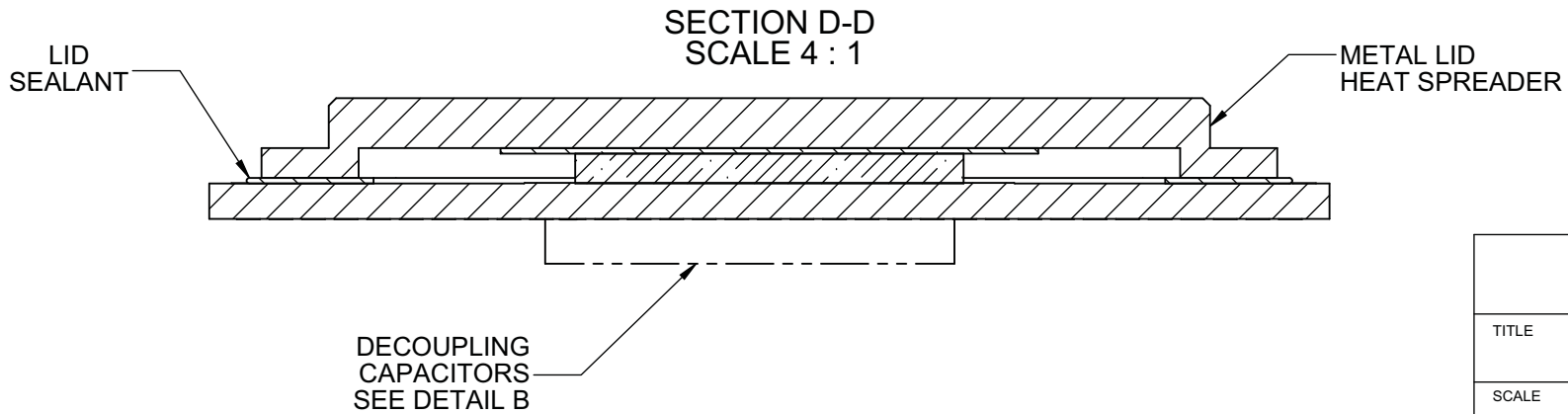
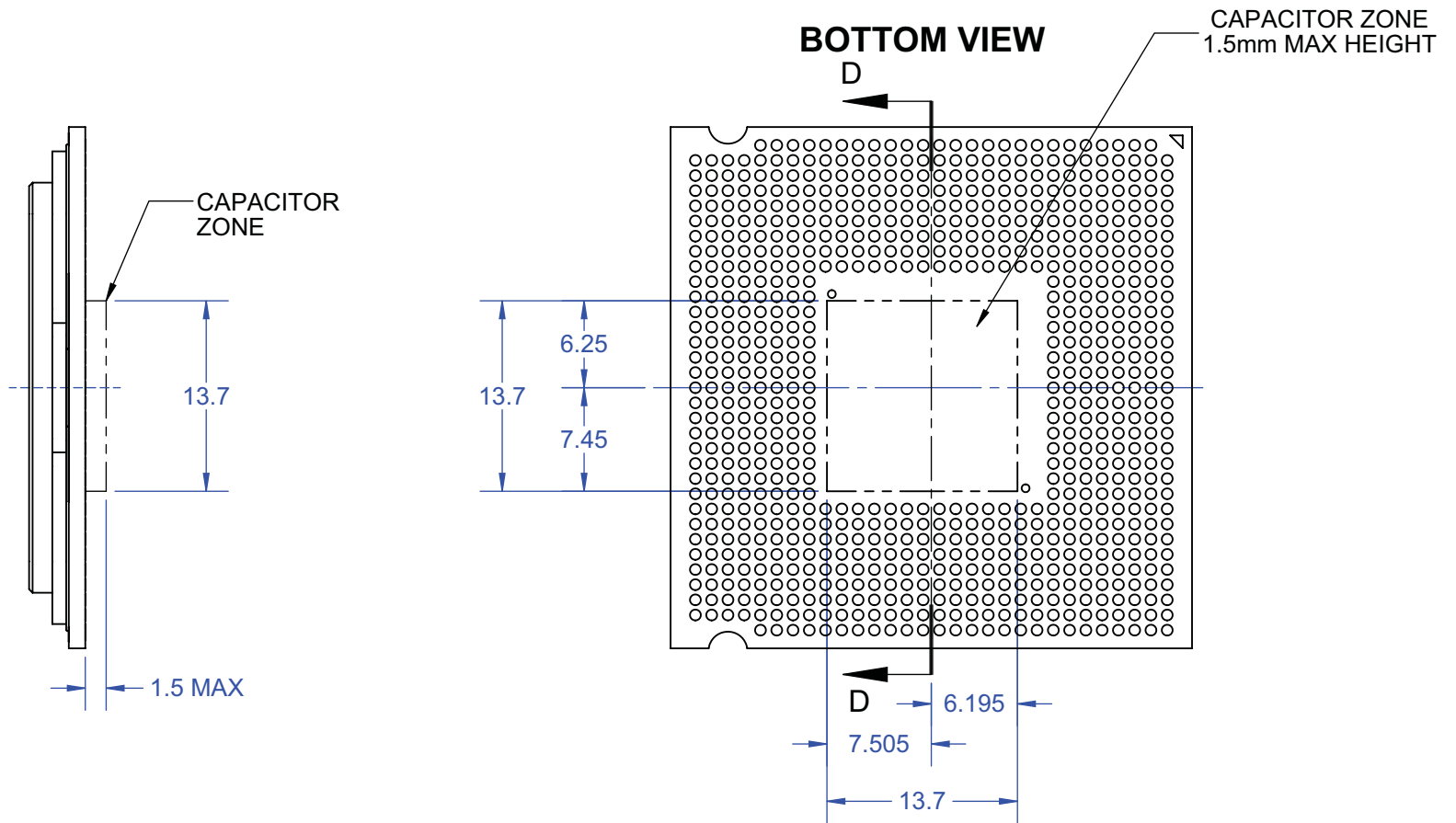
DETAIL C
 SCALE 20 : 1

SEE DETAIL B
 CAPACITOR PADS

SEE DETAIL C

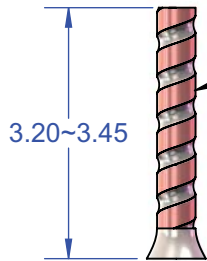
TopLine®			
TITLE WCGA771 COLUMN GRID ARRAY			
SCALE 3:1	SIZE A	DRAWING NO. 160410	REV A
DO NOT SCALE DRAWING			SHEET 3 OF 6

CAPACITOR MOUNTING AREA

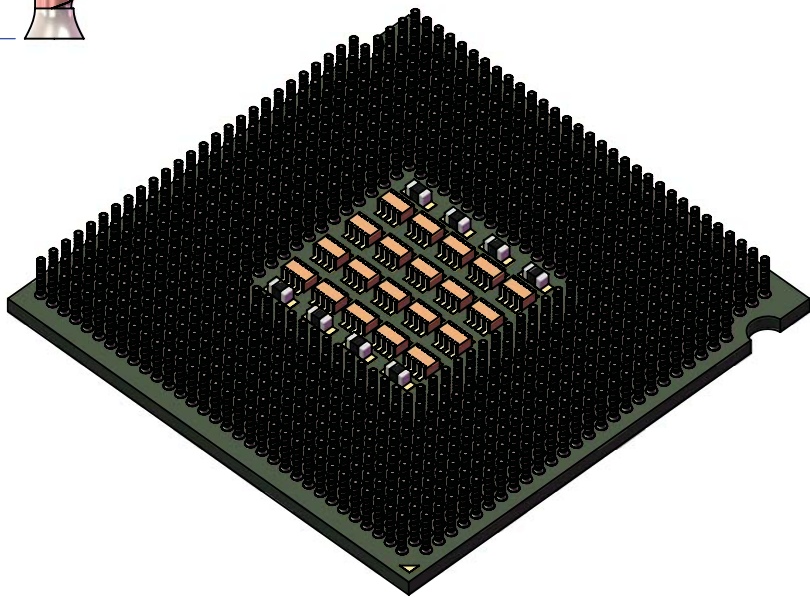


TopLine®			
TITLE		WCGA771 COLUMN GRID ARRAY	
SCALE	SIZE	DRAWING NO.	REV
3:1	A	160410	A
DO NOT SCALE DRAWING			SHEET 4 OF 6

WCGA771C
COLUMN GRID ARRAY
Pb80/Sn20 Cu Plated Column



Pb80/Sn20
 Cu Wrap Column
 3.56~3.81
 BEFORE TRIM



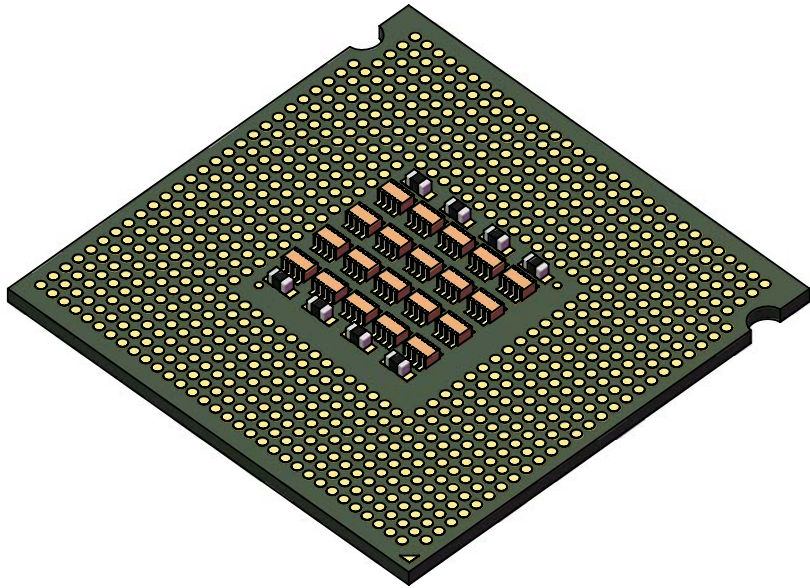
MODEL BOTTOM SIDE



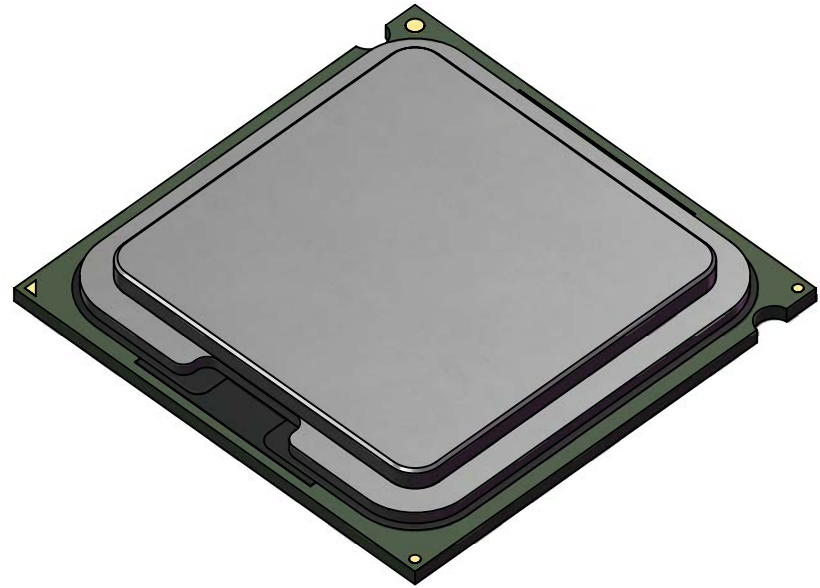
MODEL TOP SIDE

TopLine®			
TITLE		WCGA771 COLUMN GRID ARRAY	
SCALE	SIZE	DRAWING NO.	REV
2:1	A	160410	A
DO NOT SCALE DRAWING			SHEET 5 OF 6

**LGA771
LAND GRID ARRAY
Without Columns**



MODEL BOTTOM SIDE



MODEL TOP SIDE

TopLine®

TITLE WCGA771
COLUMN GRID ARRAY

SCALE 2:1	SIZE A	DRAWING NO. 160410	REV A
--------------	-----------	-----------------------	----------

DO NOT SCALE DRAWING SHEET 6 OF 6