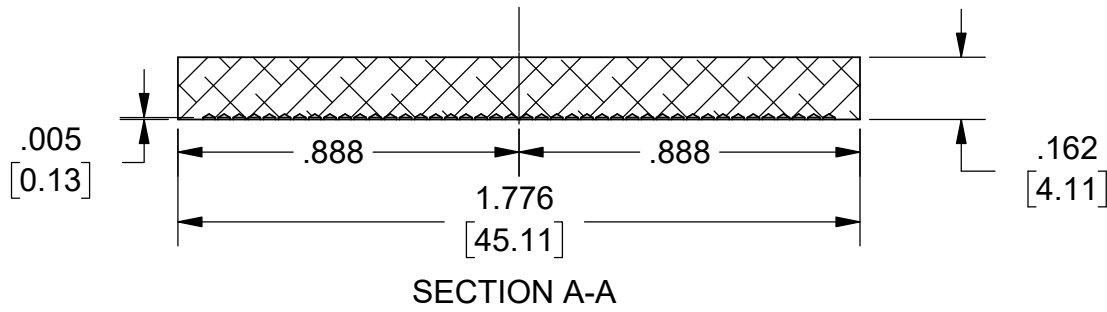
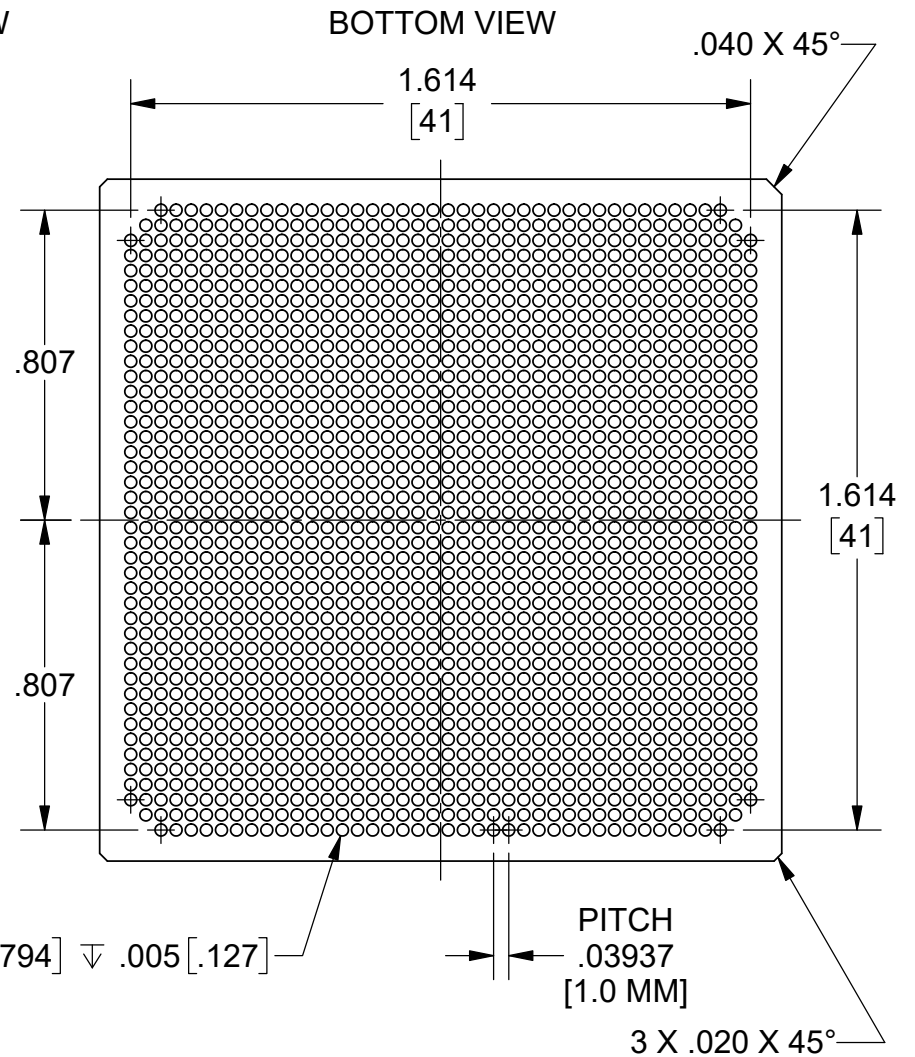
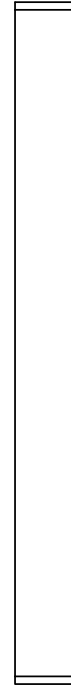


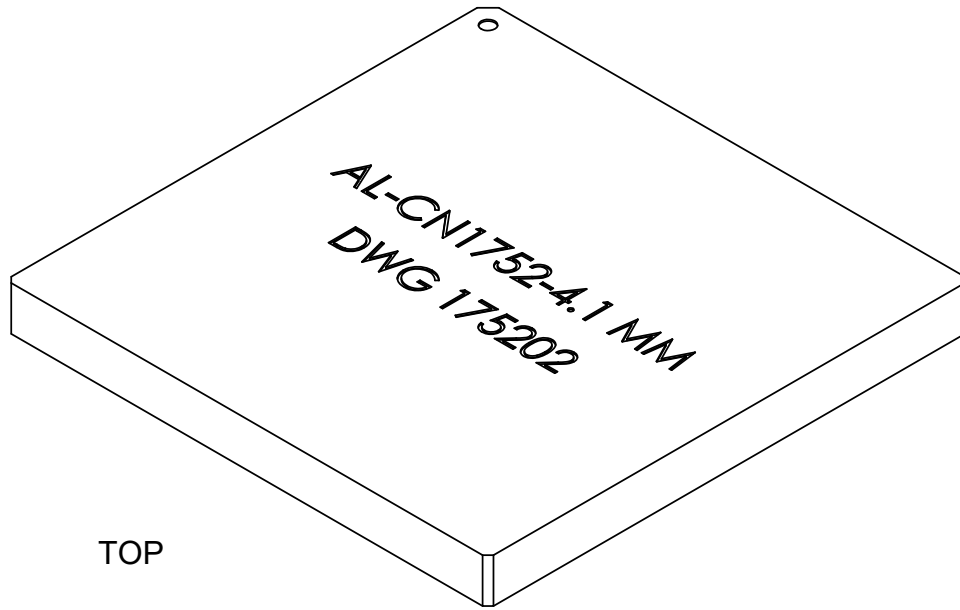
**SIDE VIEW**



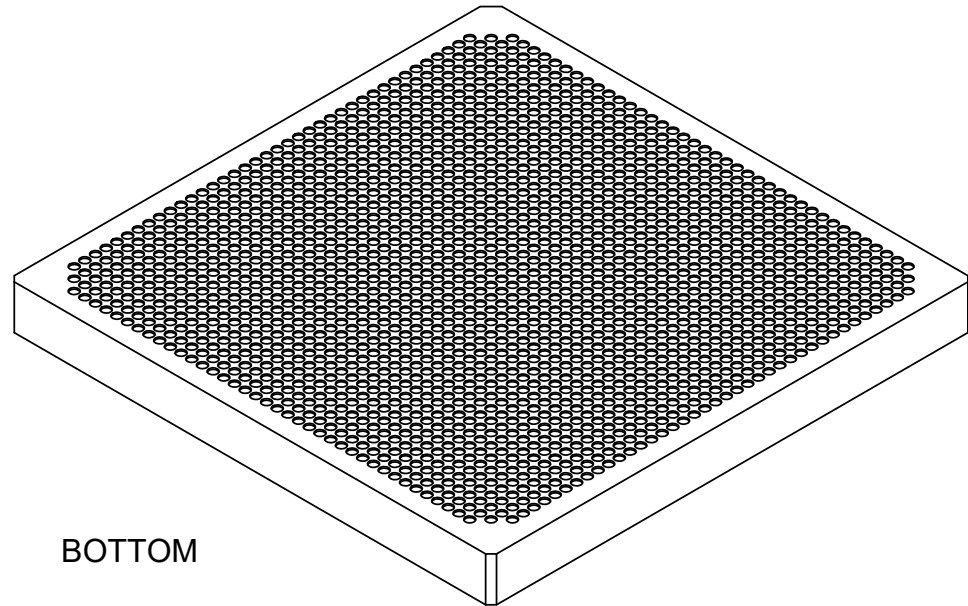
NOTES: (UNLESS OTHERWISE SPECIFIED).  
 1) DIMENSIONS: INCHES [MM].  
 2) MATERIAL: ALUMINUM.

APPROVALS		DATE	<b>TopLine</b>			
DRAWN	J. Hines	12/30/2016	TITLE AL-CN1752-4.1MM ALUMINUM SLUG			
ENG	M. Hart	12/30/2016				
MFG			SCALE 2:1	SIZE A	DRAWING NO. 175202	REV A
QA						
CUST			DO NOT SCALE DRAWING		SHEET 1 OF 2	
REVISED						

MODELS



TOP



BOTTOM

<b>TopLine</b> <sup>®</sup>			
TITLE		AL-CN1752-4.1MM ALUMINUM SLUG	
SCALE	SIZE	DRAWING NO.	REV
2:1	A	175202	A
DO NOT SCALE DRAWING			SHEET 2 OF 2