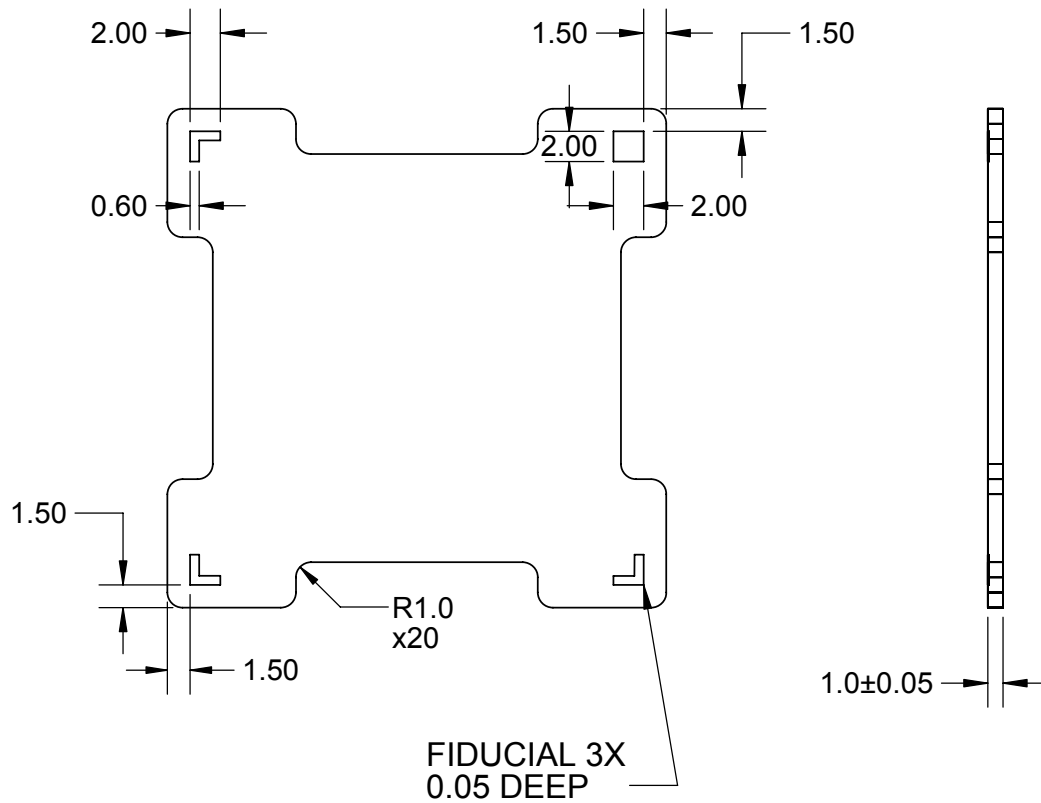
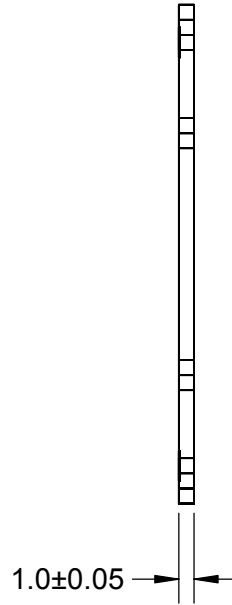


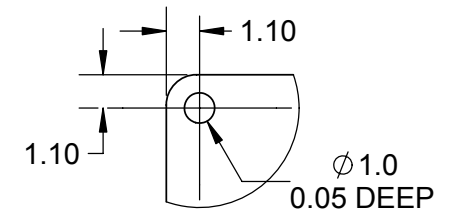
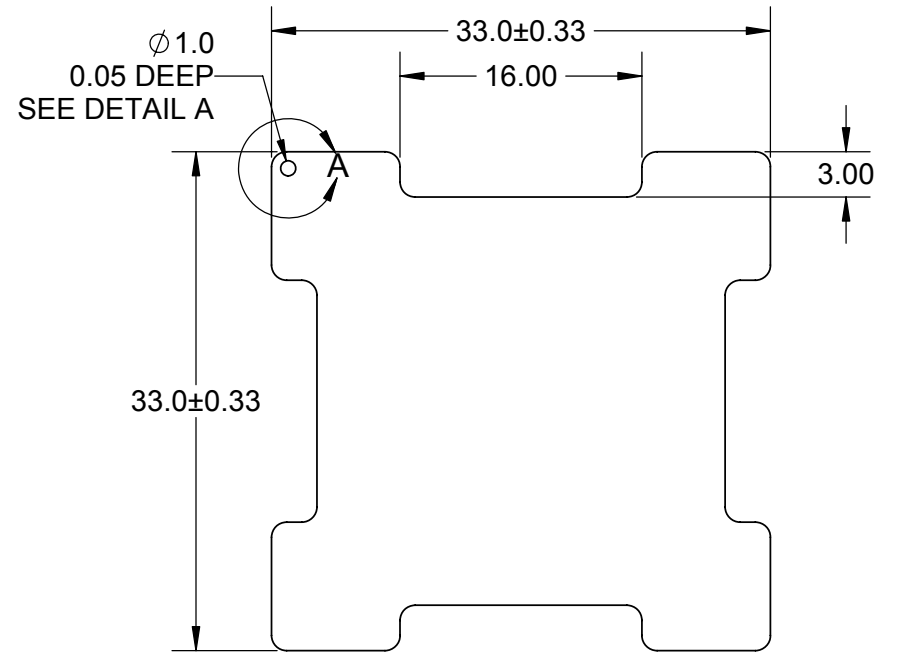
BOTTOM VIEW



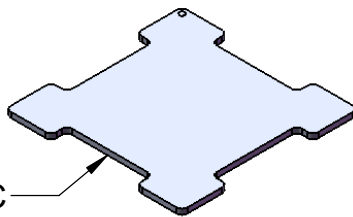
SIDE VIEW



TOP VIEW

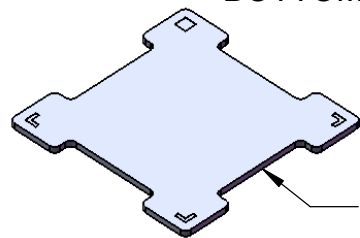


TOP



Al-SiC

BOTTOM



Al-SiC

MODEL

NOTES:

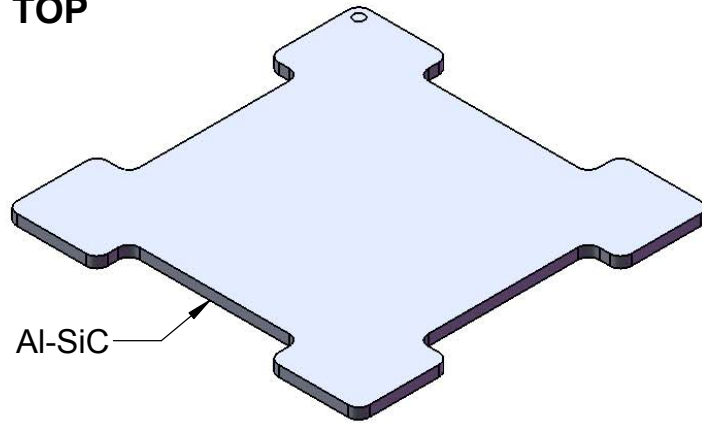
1. DIMENSIONS IN mm.
2. MATERIAL Al-SiC.
3. PLATING NICKEL Ni 8~12um.
4. TOLERANCE A 0.127mm unless otherwise stated.

DETAIL A
SCALE 4 : 1

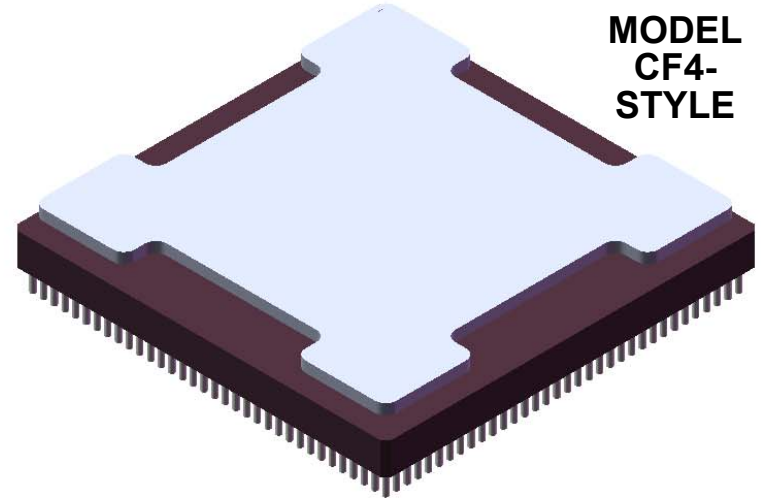
APPROVALS	DATE	TopLine®			
DRAWN T. Au	7/12/2015				
ENG M. Hart	7/12/2015	TITLE CF4-CAP33C HEAT SPREADER			
MFG		SCALE	SIZE	DRAWING NO.	REV
QA		2:1	A	112033	A
CUST		DO NOT SCALE DRAWING			SHEET 1 OF 2
REVISED					

MODELS

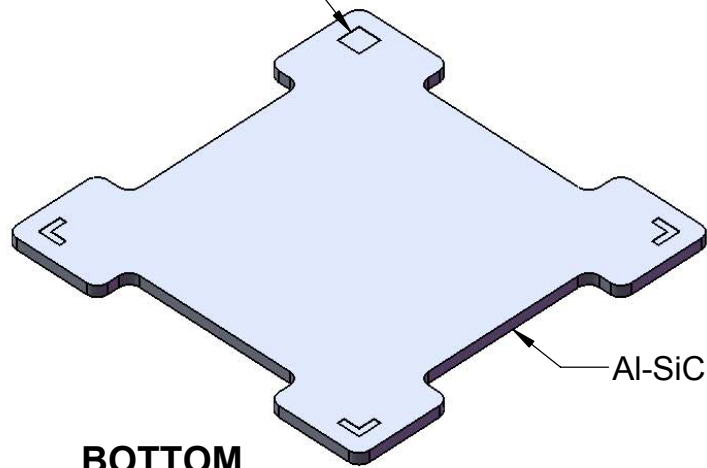
TOP



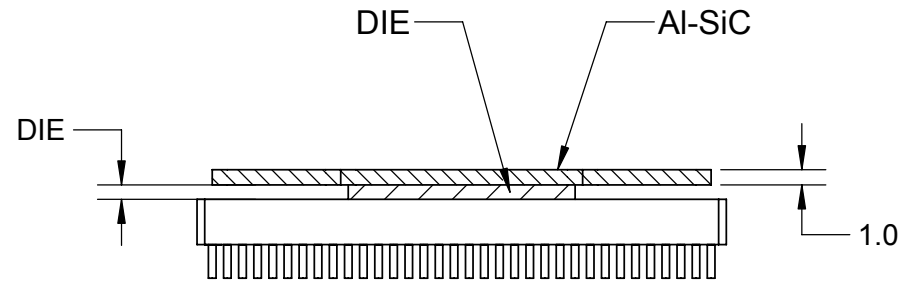
MODEL
CF4-
STYLE



FIDUCIAL
DEPTH 0.05



BOTTOM



TYPICAL SIDE VIEW

APPROVALS	DATE	TopLine®			
DRAWN T. Au	7/12/2015				
ENG M. Hart	7/12/2015	TITLE CF4-CAP33C HEAT SPREADER			
MFG		SCALE	SIZE	DRAWING NO.	REV
QA		2:1	A	112033	A
CUST		DO NOT SCALE DRAWING			SHEET 2 OF 2
REVISED					