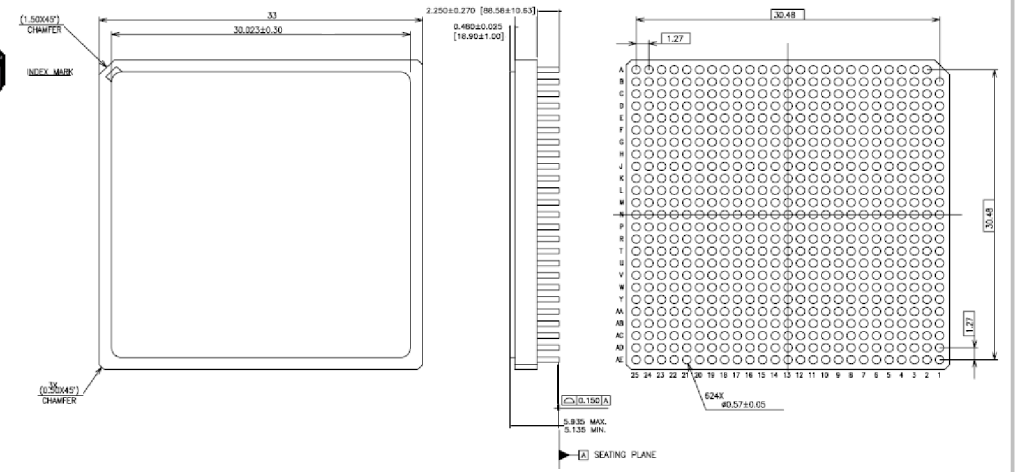
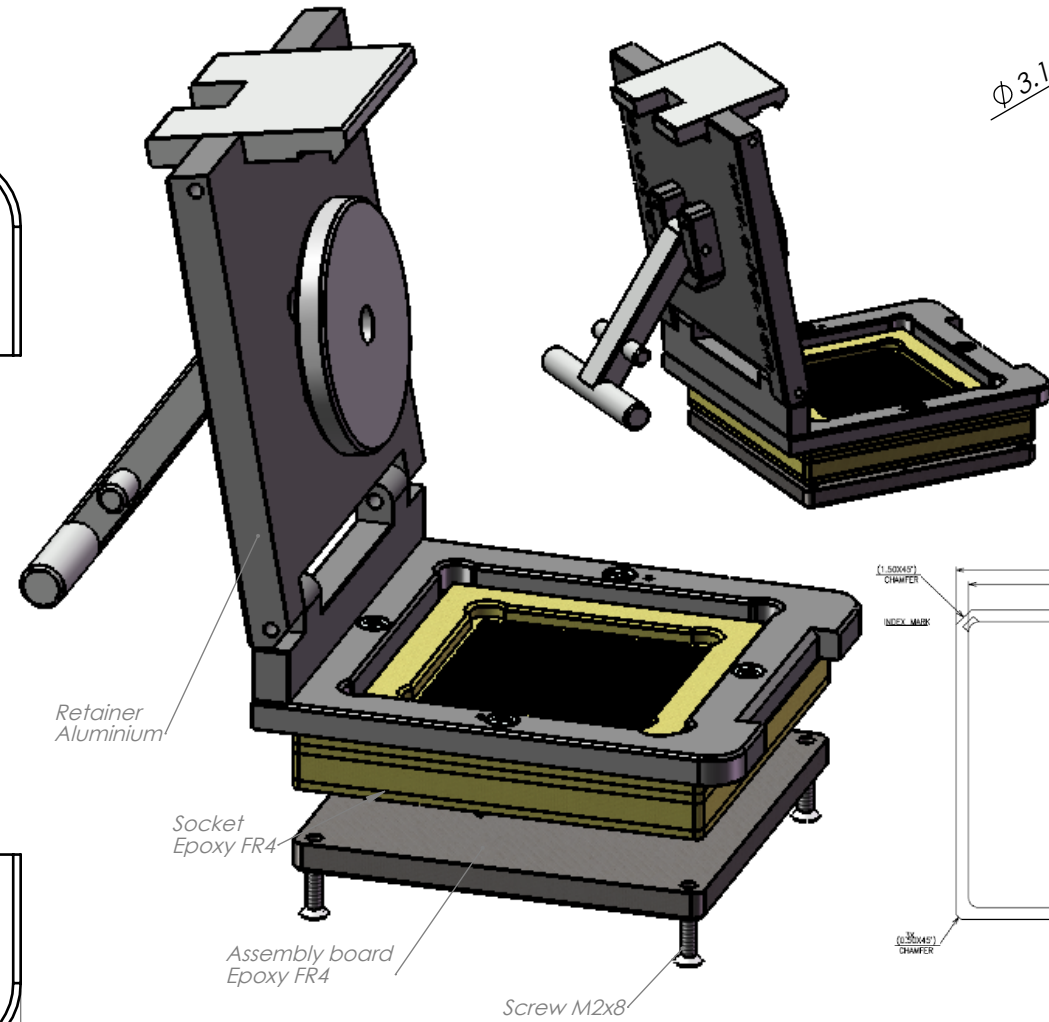
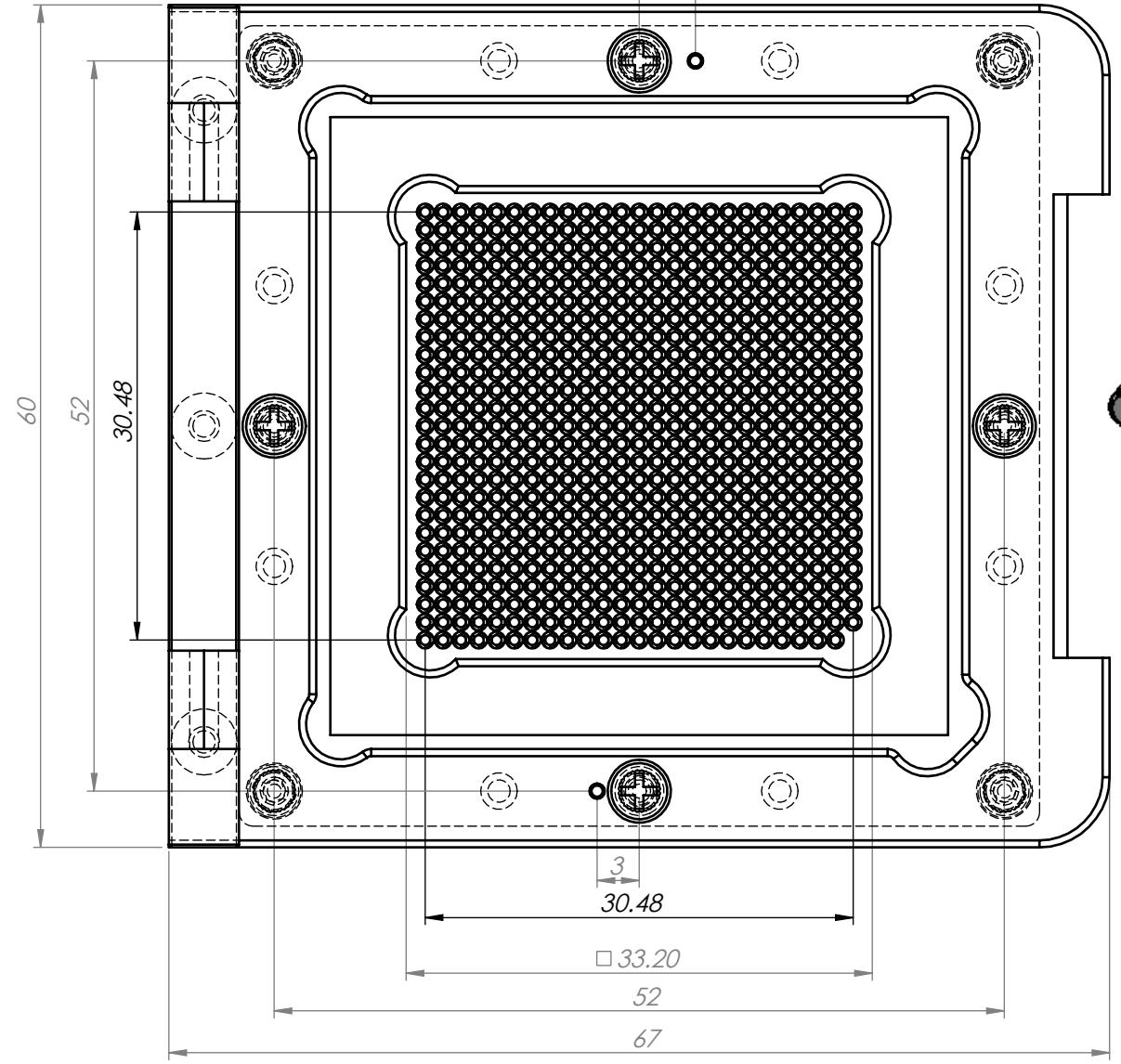
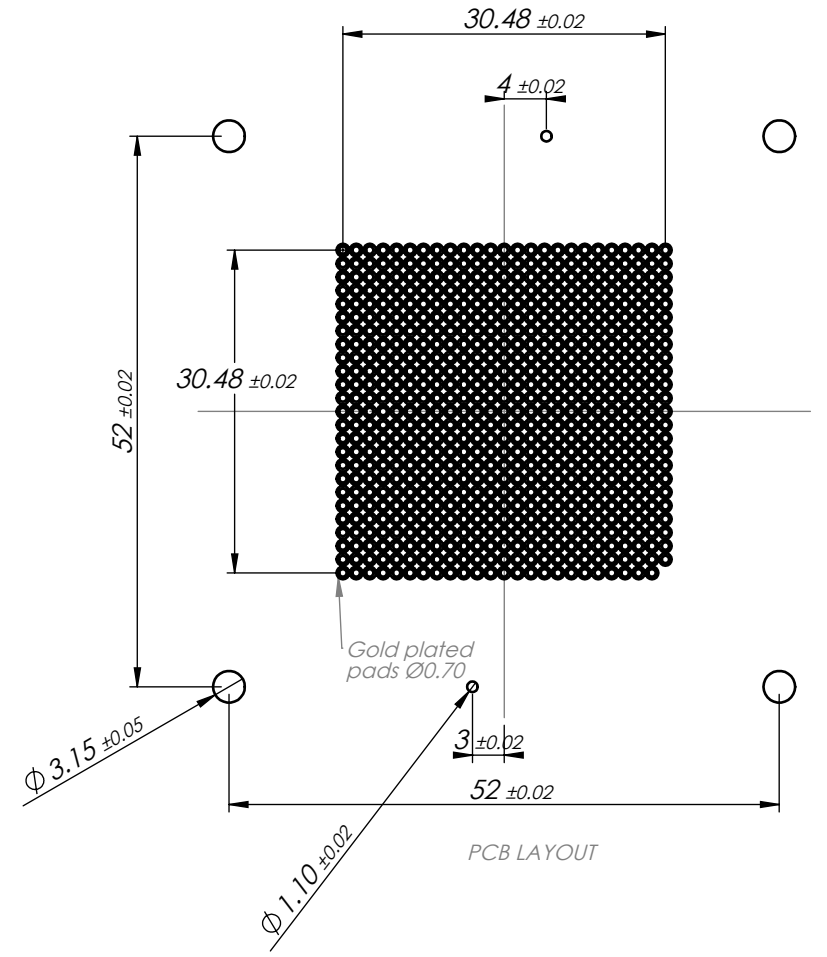


ASSEMBLY BOARD



| | | | |
|-------------------------------------------------------------------------------------------------------------------------------------------------------------------------------------------------------------------------------------------------------------------------------|-------------------------------------------------------------------------------------------------------|--------------------------------|-------------------------------------------------------------------------------------------------------------------|
| <p>A3H Scale 2:1</p> <p>patented</p> <p>The information contained in this drawing is proprietary and shall not be reproduced or disclosed in whole or in part or used for any design or manufacture except where such user possesses direct, written authorization</p> | <p>UNLESS OTHERWISE SPECIFIED: DIMENSIONS ARE IN MILLIMETERS GENERAL TOLERANCES ISO 2768m</p> | | <p>Remark: CGA Clamshell socket, 624 pins, Pitch 1.27mm, matrix 25x25 code MI = Special Clamshell</p> |
| | REV | modif: | |
| | 0 | | |
| | <p>"Order code" CPC624-1290-254A</p> | | |
| <p>NAME DATE</p> <p>DRAWN sme 06.02.2015</p> <p>REVD - -</p> <p>CHK'D - -</p> <p>APPV'D sme 10.02.2015</p> | | <p>"DWG" 222540</p> | |