
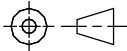
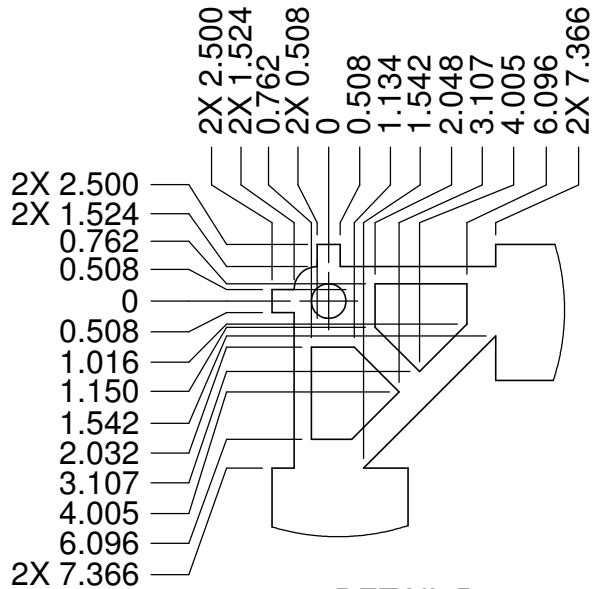


Notes: (Unless Otherwise Specified).

- 1) DIMENSIONS: MM [INCH]
- 2) FLAT LEADS ON ALLOY 42 TIE BAR.
- 3) ALL EXPOSED METAL GOLD PLATED (Au).
- 4) PINS = 132, METRIC LEAD PITCH = 0.635mm [0.025"].

TOLERANCE UNLESS NOTED		APPROVALS	DATE				
X.X	+/- 0.3	DRAWN J. Hines	11/12/2010				
X.XX	+/- 0.03						
X.XXX	+/- 0.003						
ANGLES +/- 0.5°		ENG		SCALE 1.75:1 SIZE A DRAWING NO. 132132 REV A			
ALL DIMENSIONS IN		MFG					
<input type="checkbox"/> INCHES	<input checked="" type="checkbox"/> MILLIMETERS	QA		DO NOT SCALE DRAWING SHEET 1 OF 4			
THIRD ANGLE PROJECTION		CUST					
		REVISED					

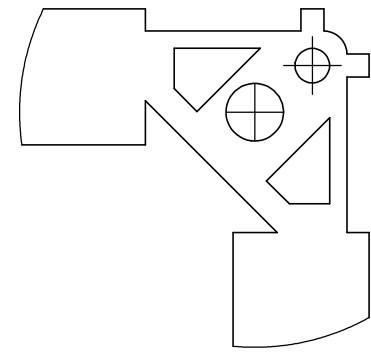
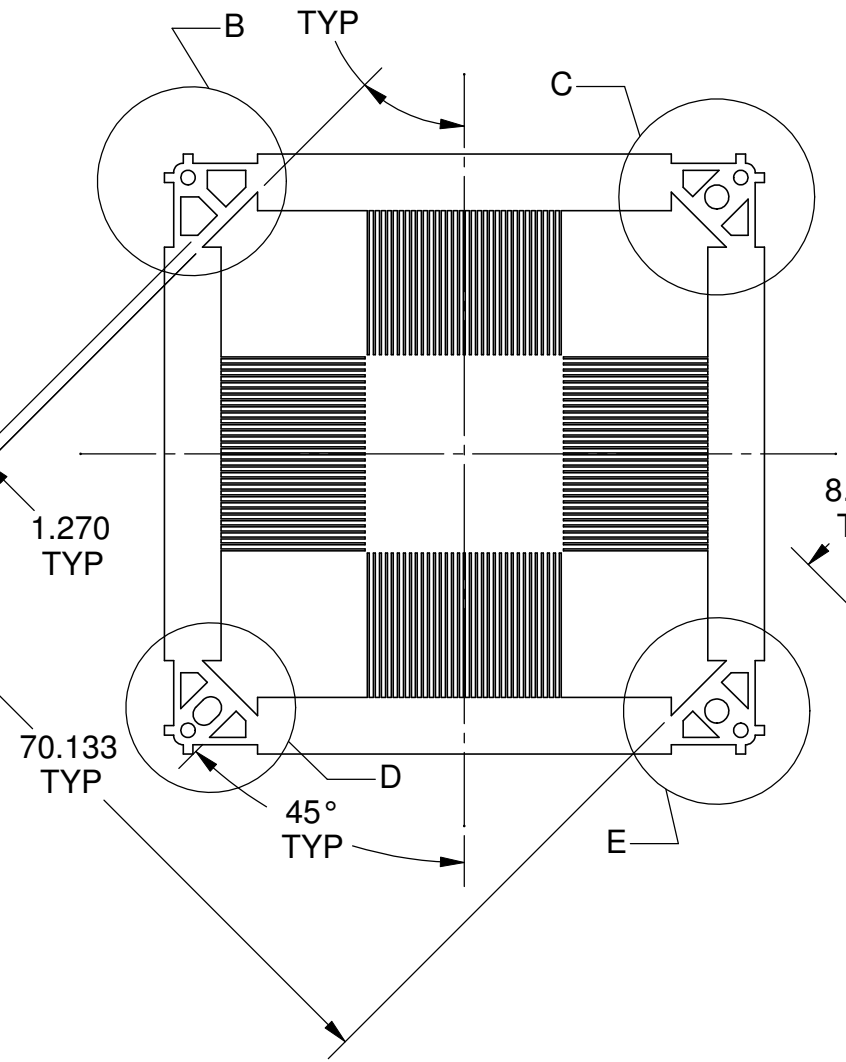
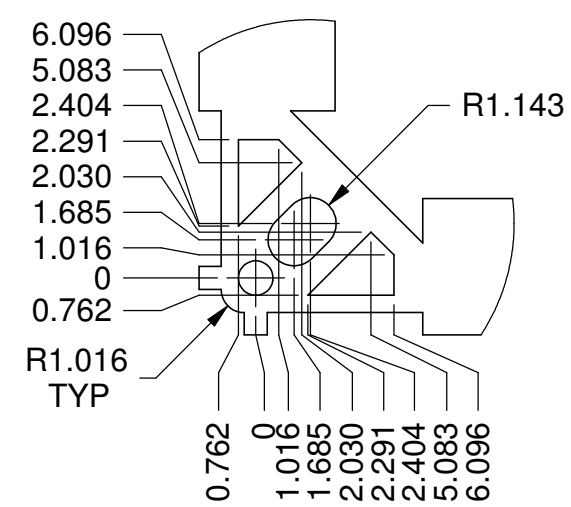
CERQUAD LEAD FRAME



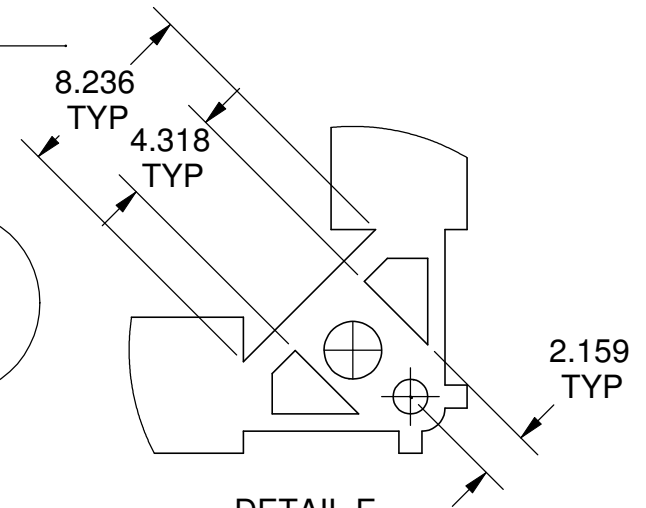
DETAIL B
SCALE 3 : 1

DETAIL D
SCALE 3 : 1

TYPICAL CORNER CUTOUTS
DIMENSIONED IN THIS DETAIL



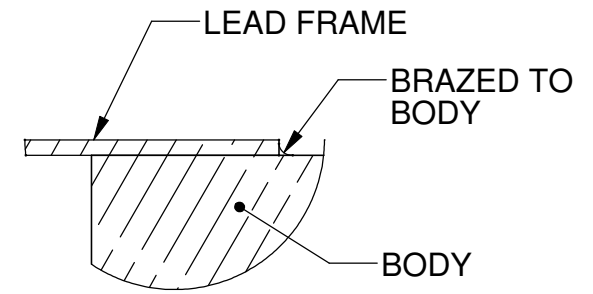
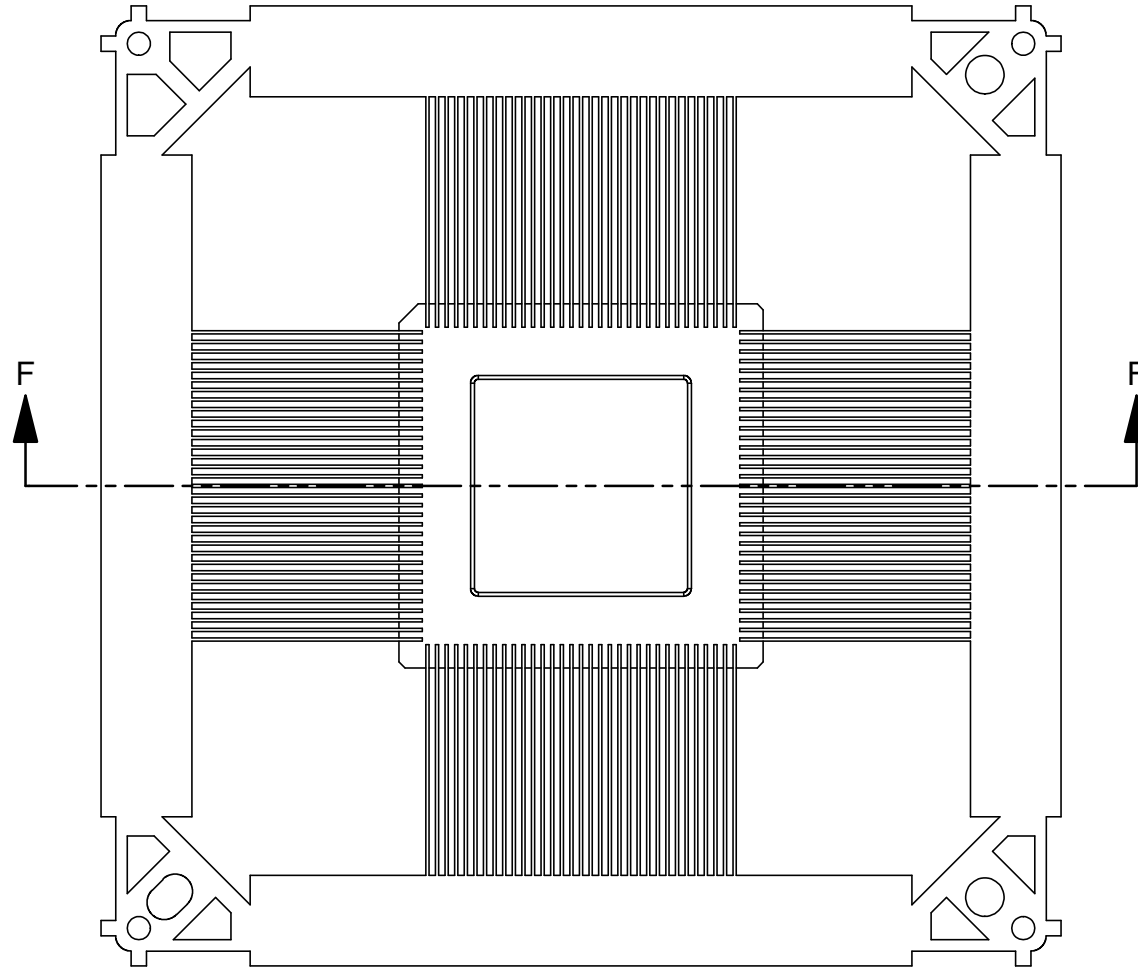
DETAIL C
SCALE 3 : 1



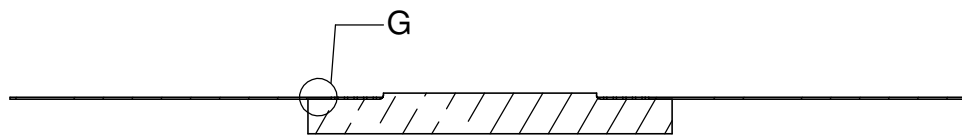
DETAIL E
SCALE 3 : 1

TopLine ®			
TITLE CERQUAD132F25A DUMMY 132 PIN - 0.025 INCH PITCH			
SCALE 1.25:1	SIZE A	DRAWING NO. 132132	REV A
DO NOT SCALE DRAWING		SHEET 2 OF 4	

CERQUAD LEAD FRAME



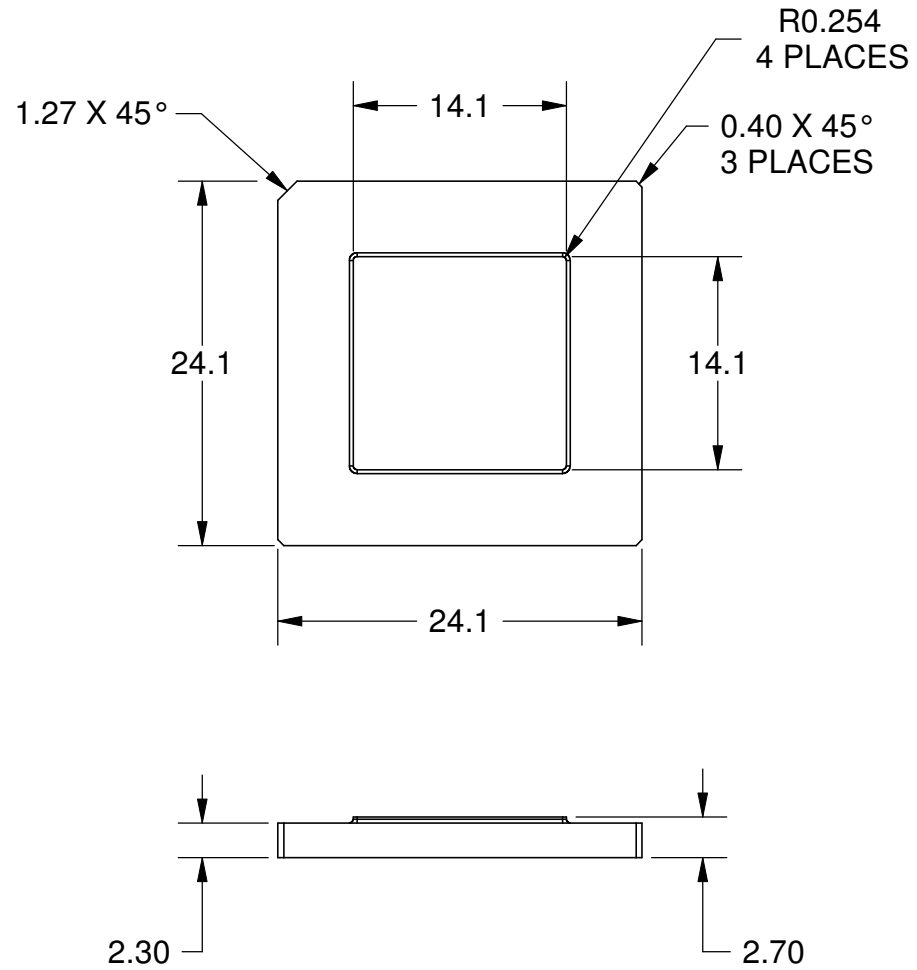
DETAIL G
SCALE 16 : 1



SECTION F-F

TopLine [®]			
TITLE CERQUAD132F25A DUMMY 132 PIN - 0.025 INCH PITCH			
SCALE 2:1	SIZE A	DRAWING NO. 132132	REV A
DO NOT SCALE DRAWING		SHEET 3 OF 4	

CERQUAD BODY



TopLine®

TITLE CERQUAD132F25A DUMMY
132 PIN - 0.025 INCH PITCH

SCALE	SIZE	DRAWING NO.	REV
2:1	A	132132	A

DO NOT SCALE DRAWING

SHEET 4 OF 4