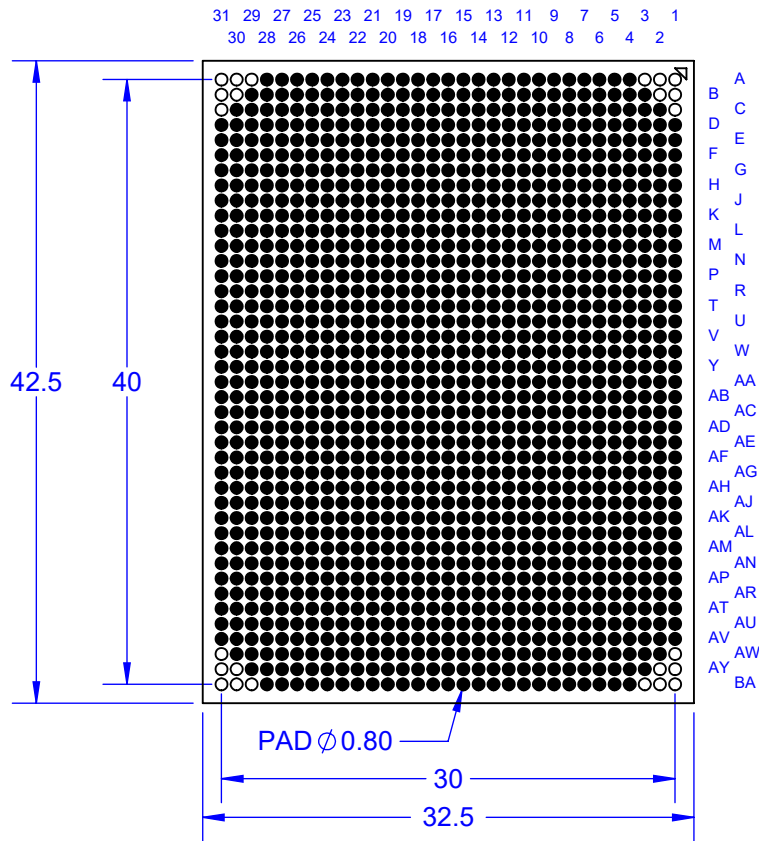
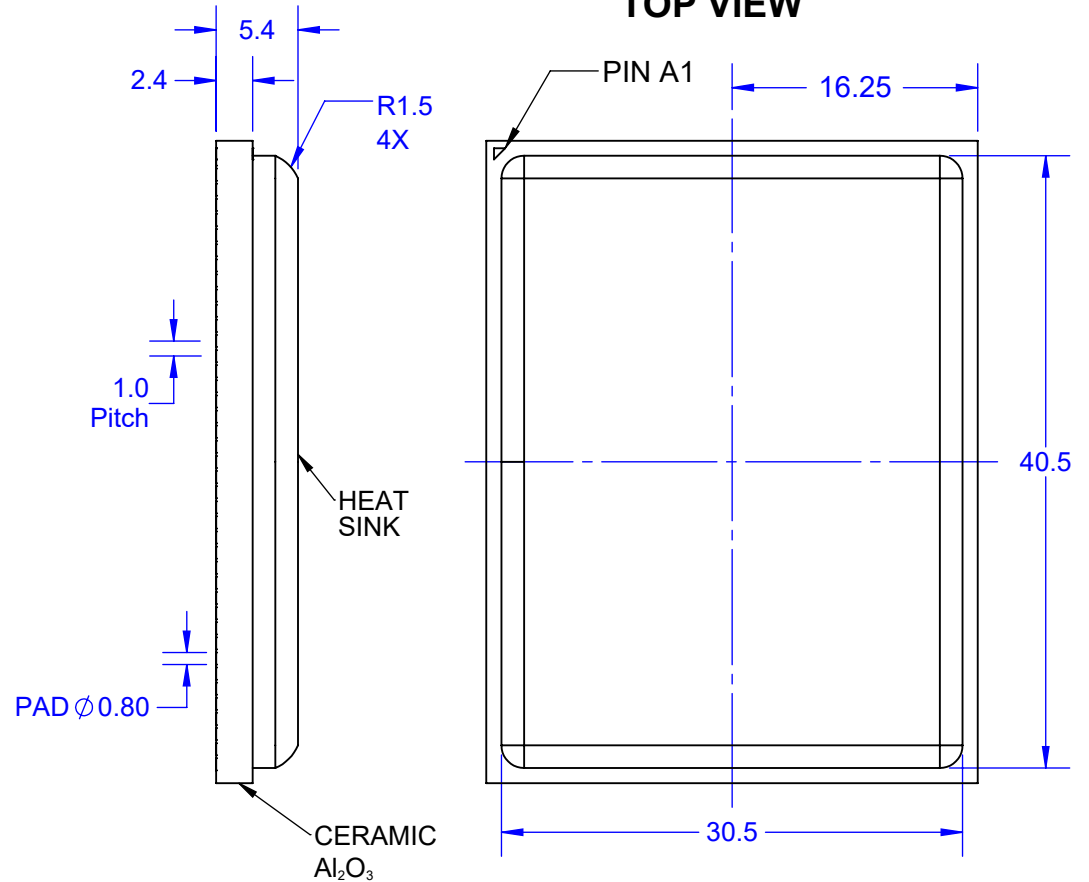


BOTTOM VIEW



TOP VIEW




Notes: (Unless Otherwise Specified)

- 1) DIMENSION ARE IN mm.
- 2) CLGA SHOWN WITHOUT COLUMNS.
- 3) 1271 PADS.
- 4) DIE SIZE 14 x 14 x 0.7 MM.
- 5) PART NUMBER CLGA1247T1.0-31x41-D.

PART NUMBER OPTIONS

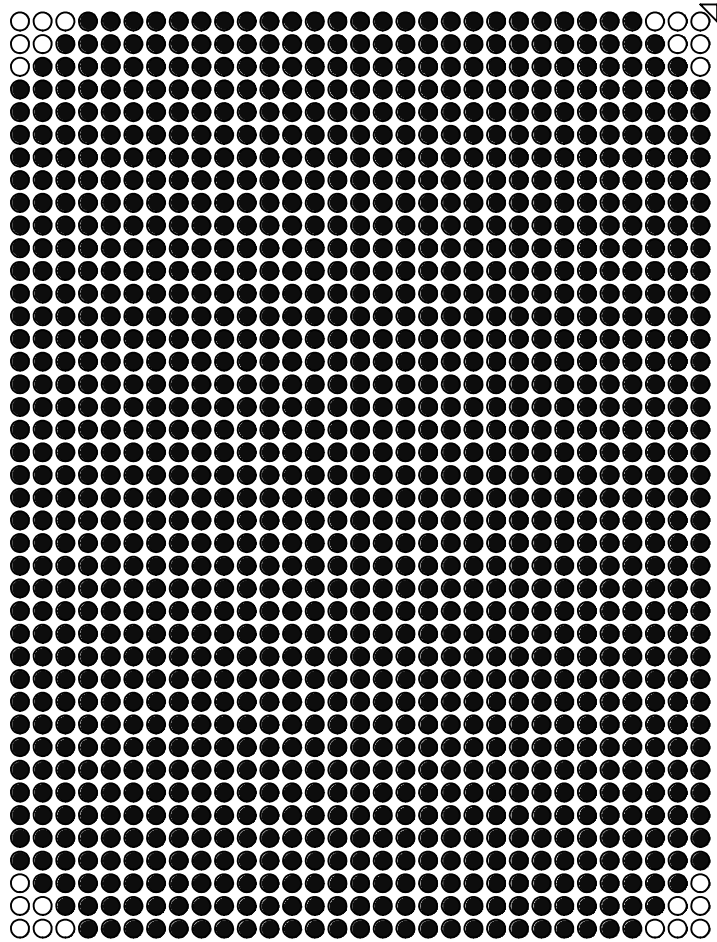
PART NUMBER	DUMMY DIE	SOLDER PIN	HEAT SINK
CLGA1247T1.0-31x41-D	YES	NONE	YES

APPROVALS	DATE				
DRAWN T. Au	7/16/2022				
ENG M. Hart	7/16/2022	TITLE CLGA1247T1.0-31x41-D COLUMN GRID ARRAY			
MFG		SCALE 1.75:1	SIZE A	DRAWING NO. 160126	REV A
QA		DO NOT SCALE DRAWING			SHEET 1 OF 4
CUST					
REVISED					

PAD PATTERN

COLUMN VIEW

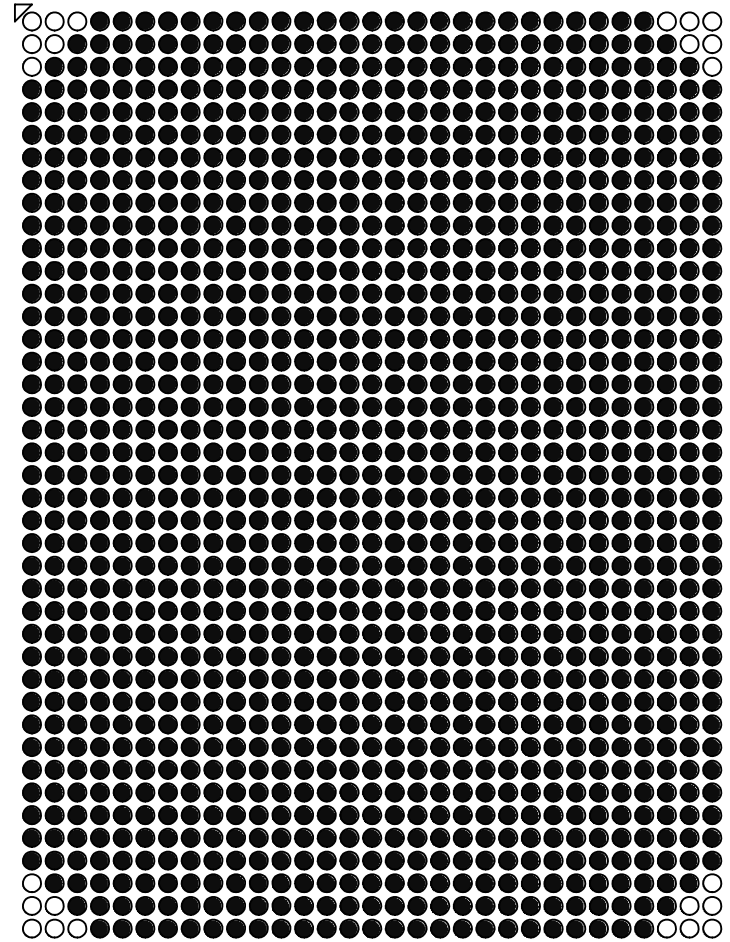
31 29 27 25 23 21 19 17 15 13 11 9 7 5 3 1
30 28 26 24 22 20 18 16 14 12 10 8 6 4 2



A
B
C
D
E
F
G
H
J
K
L
M
N
P
R
T
U
V
W
Y
AA
AB
AC
AD
AE
AF
AG
AH
AJ
AK
AL
AM
AN
AP
AR
AT
AU
AV
AW
AY
BA

BOTTOM X-RAY VIEWED FROM TOP

1 3 5 7 9 11 13 15 17 19 21 23 25 27 29 31
2 4 6 8 10 12 14 16 18 20 22 24 26 28 30

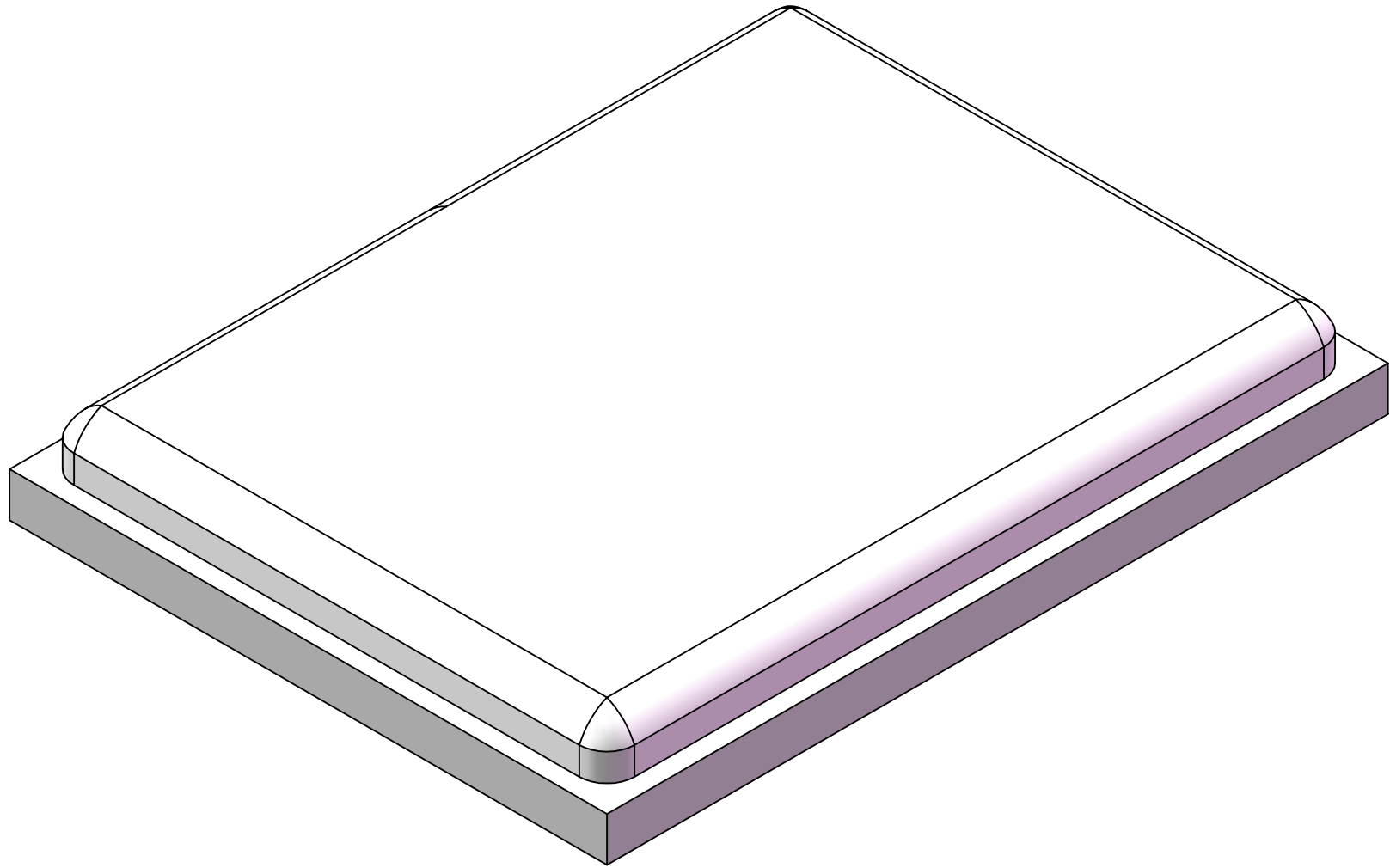


A
B
C
D
E
F
G
H
J
K
L
M
N
P
R
T
U
V
W
Y
AA
AB
AC
AD
AE
AF
AG
AH
AJ
AK
AL
AM
AN
AP
AR
AT
AU
AV
AW
AY
BA



TITLE CLGA1247T1.0-31x41-D COLUMN GRID ARRAY			
SCALE 3:1	SIZE A	DRAWING NO. 160126	REV A
DO NOT SCALE DRAWING		SHEET 2 OF 4	

**MODEL
CCGA1247 - PADS
WITHOUT COLUMNS**



TopLine®

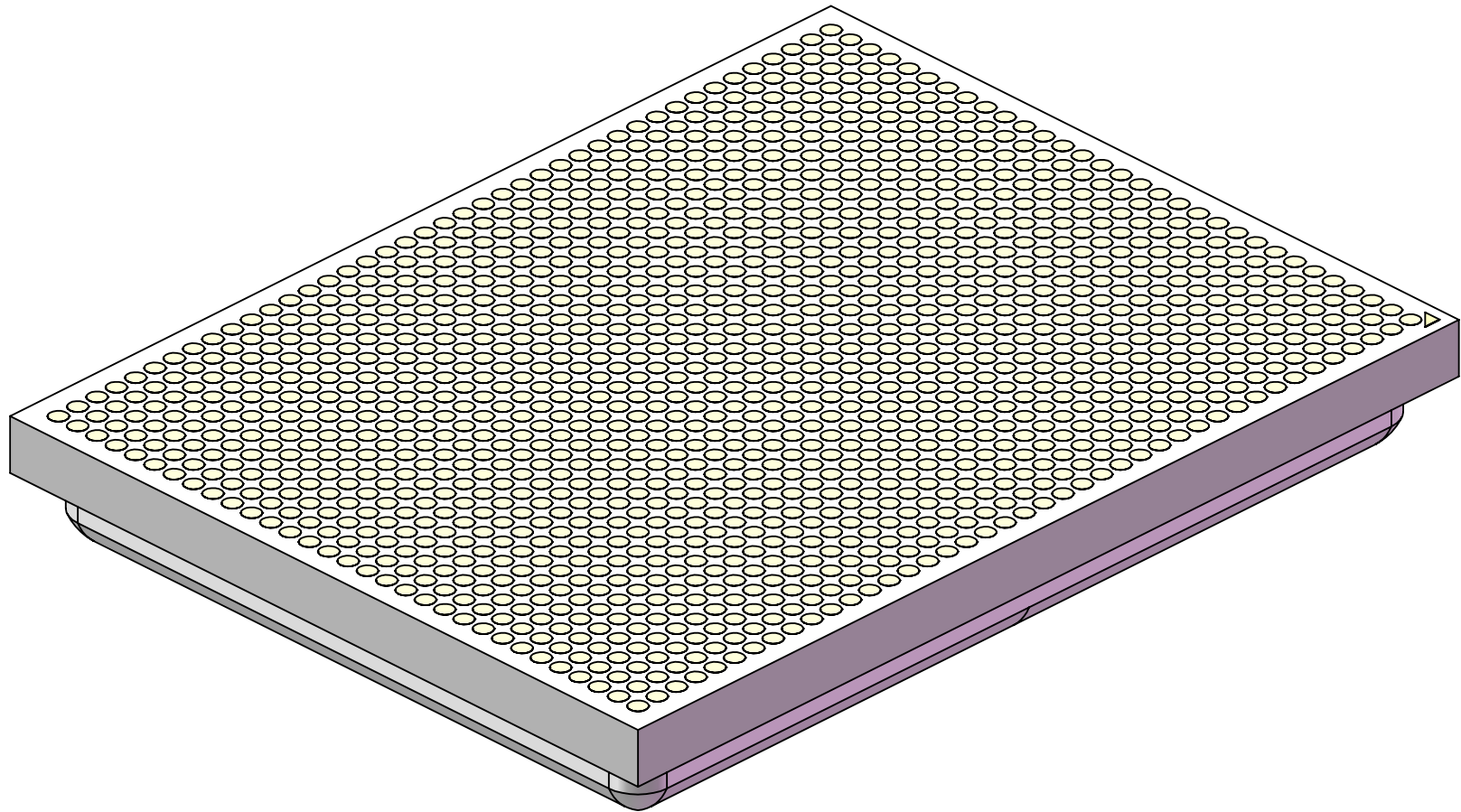
TITLE CCGA1247T1.0-31x41-D
COLUMN GRID ARRAY

SCALE 3:1	SIZE A	DRAWING NO. 160126	REV A
--------------	-----------	-----------------------	----------

DO NOT SCALE DRAWING

SHEET 3 OF 4

**MODEL
CCGA1247 - PADS
WITHOUT COLUMNS**



TopLine[®]

TITLE CLGA1247T1.0-31x41-D
COLUMN GRID ARRAY

SCALE 3:1	SIZE A	DRAWING NO. 160126	REV A
--------------	-----------	-----------------------	----------

DO NOT SCALE DRAWING

SHEET 4 OF 4