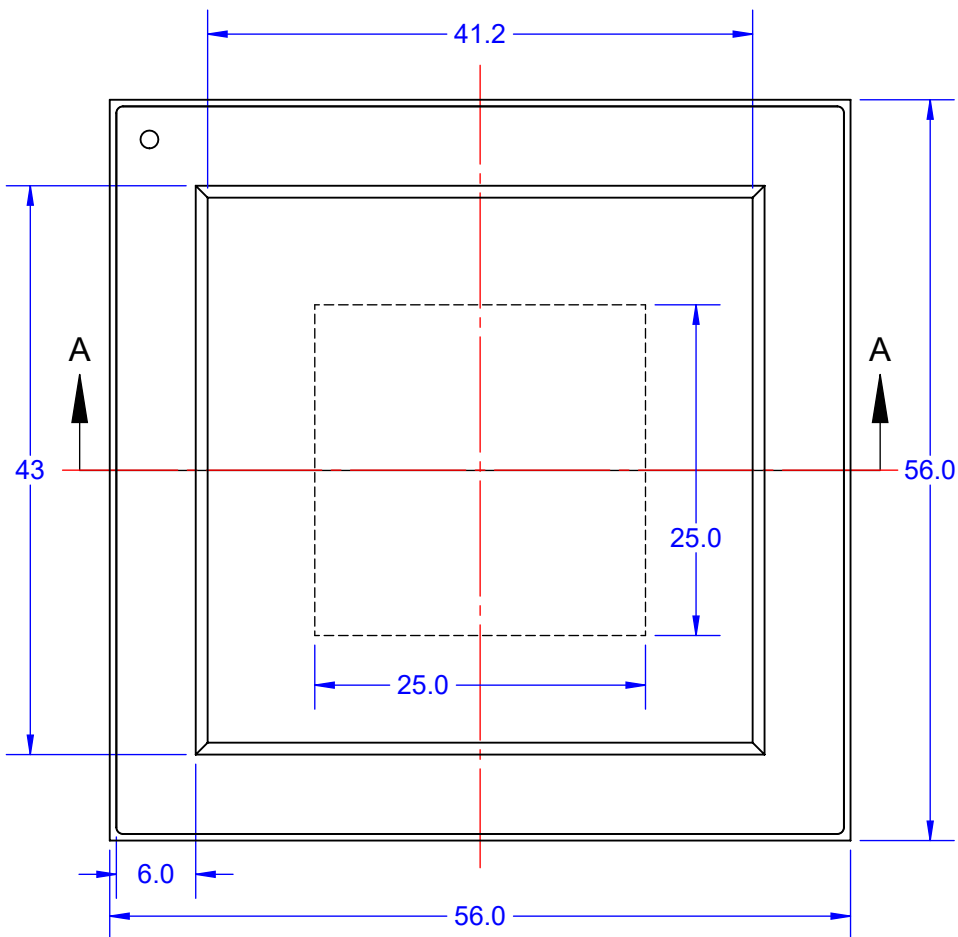
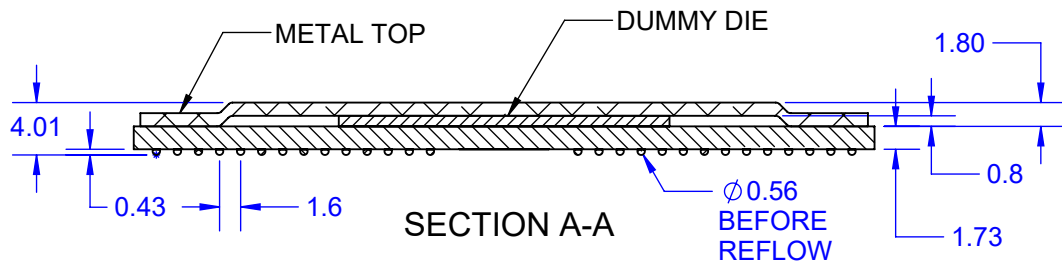
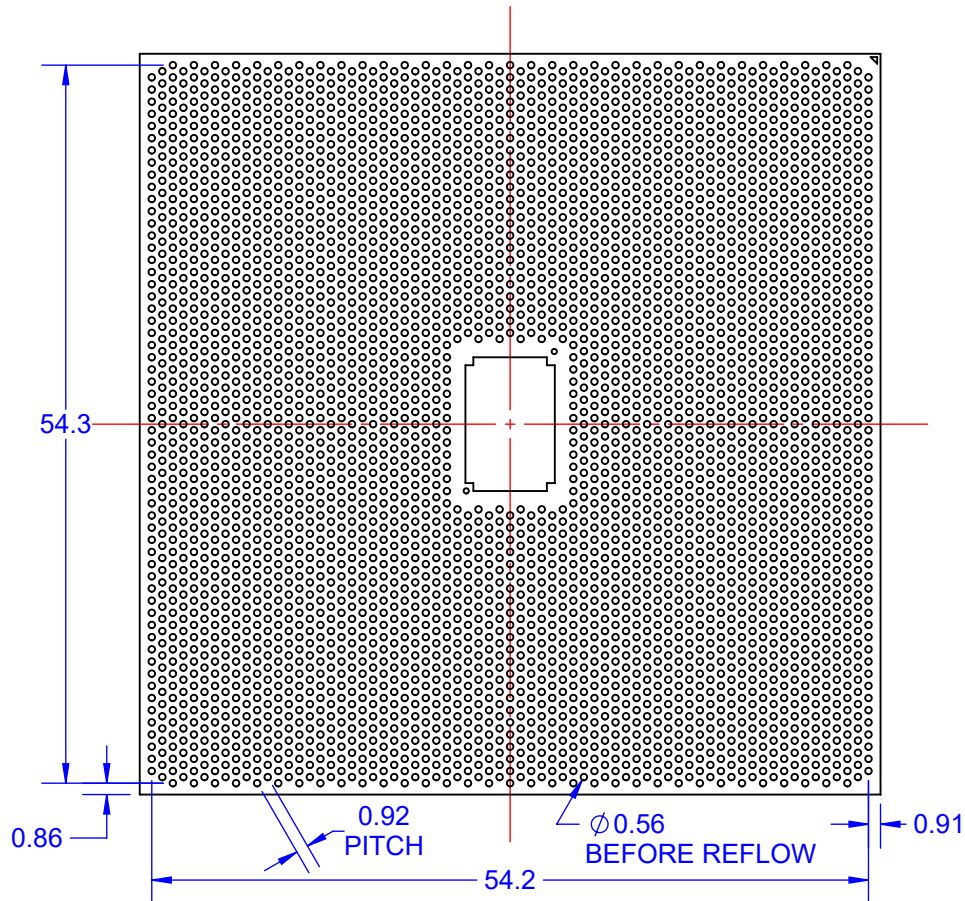


TOP VIEW



BOTTOM VIEW



Notes: (Unless Otherwise Specified).

- 1) ALL DIMENSIONS: MM.
- 2) SOLDER BALL ALLOY: SEE PART NUMBER TABLE.
- 3) BALL DIAMETER (BEFORE REFLOW): 0.558mm (22 MIL).
- 4) SOLDER MASK DEFINED PAD OPENING: 0.50mm (19.7 MIL).
- 5) PAD Cu DIAMETER: 0.65mm (25 MIL).
- 6) SUBSTRATE MATERIAL: BT.
- 7) DUMMY DIE Si (SILICON): 25 x 25mm OPTIONAL.
- 8) DAISY CHAIN PATTERN (SEE PAGE 2).
- 9) MSL-3 RECOMMENDED BAKING 24 HOURS @ 125 °C TO REMOVE MOISTURE PRIOR SOLDERING TO PC BOARD.

PART NUMBER TABLE				
PART NUMBER	BALL ALLOY	BALL ALLOY	RoHS	Si DIE
SBGA3948T.92C-DC695D	Sn96.5/Ag3.0/Cu0.5	SAC305	YES	YES
SBGA3948T.92-DC695D	Sn63/Pb37	Sn63	NO	YES

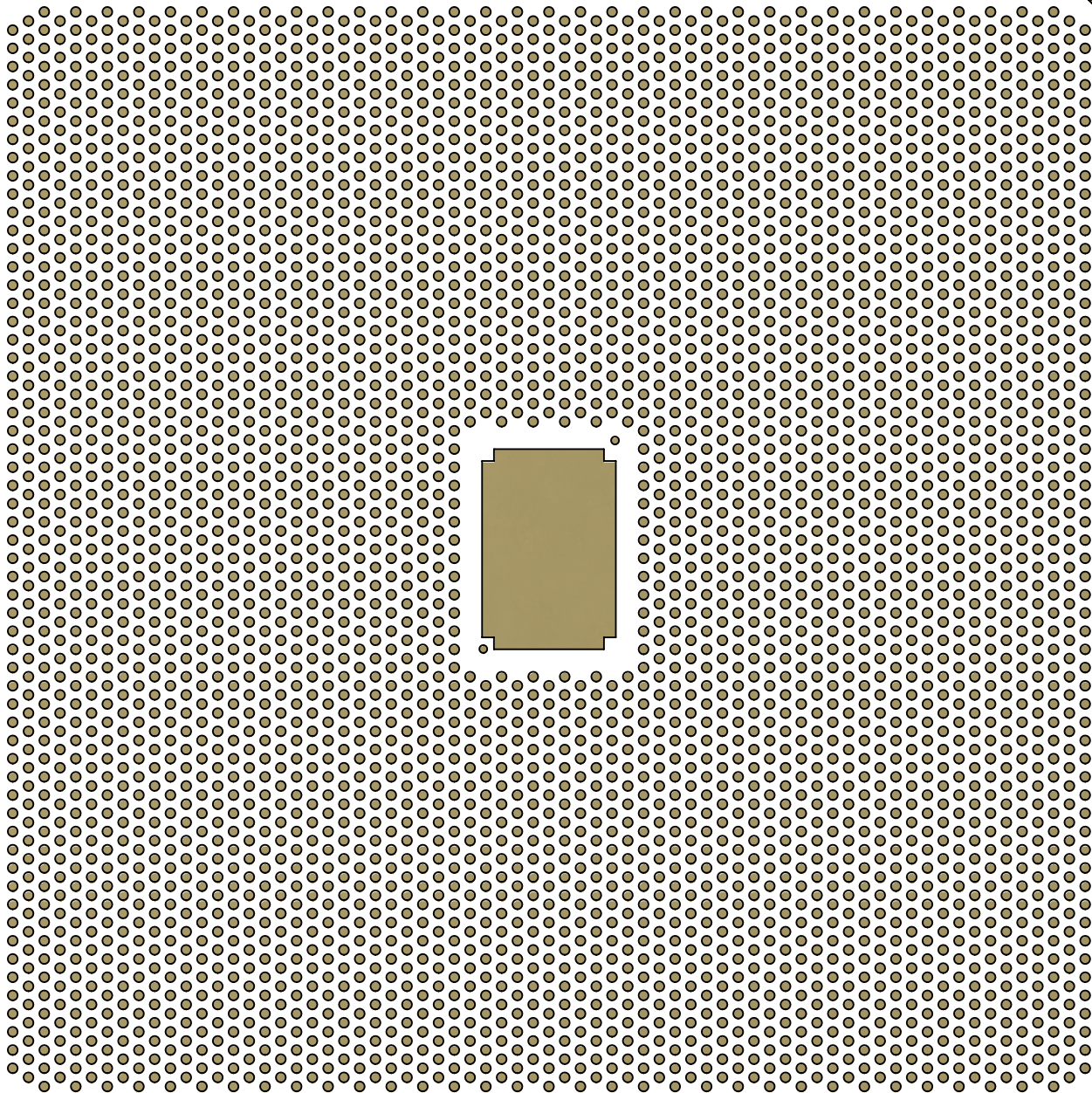
APPROVALS	DATE	TopLine®			
DRAWN T. Au	12/19/2023				
ENG M. Hart	12/19/2023	TITLE SBGA3948T.92C-DC695D DAISY CHAIN DUMMY			
MFG		SCALE 1.75:1	SIZE A	DRAWING NO. 596951	REV A
QA		DO NOT SCALE DRAWING			SHEET 1 OF 6
CUST					
REVISED					

BALL VIEW

68 66 64 62 60 58 56 54 52 50 48 46 44 42 40 38 36 34 32 30 28 26 24 22 20 18 16 14 12 10 8 6 4 2
 69 67 65 63 61 59 57 55 53 51 49 47 45 43 41 39 37 35 33 31 29 27 25 23 21 19 17 15 13 11 9 7 5 3 1

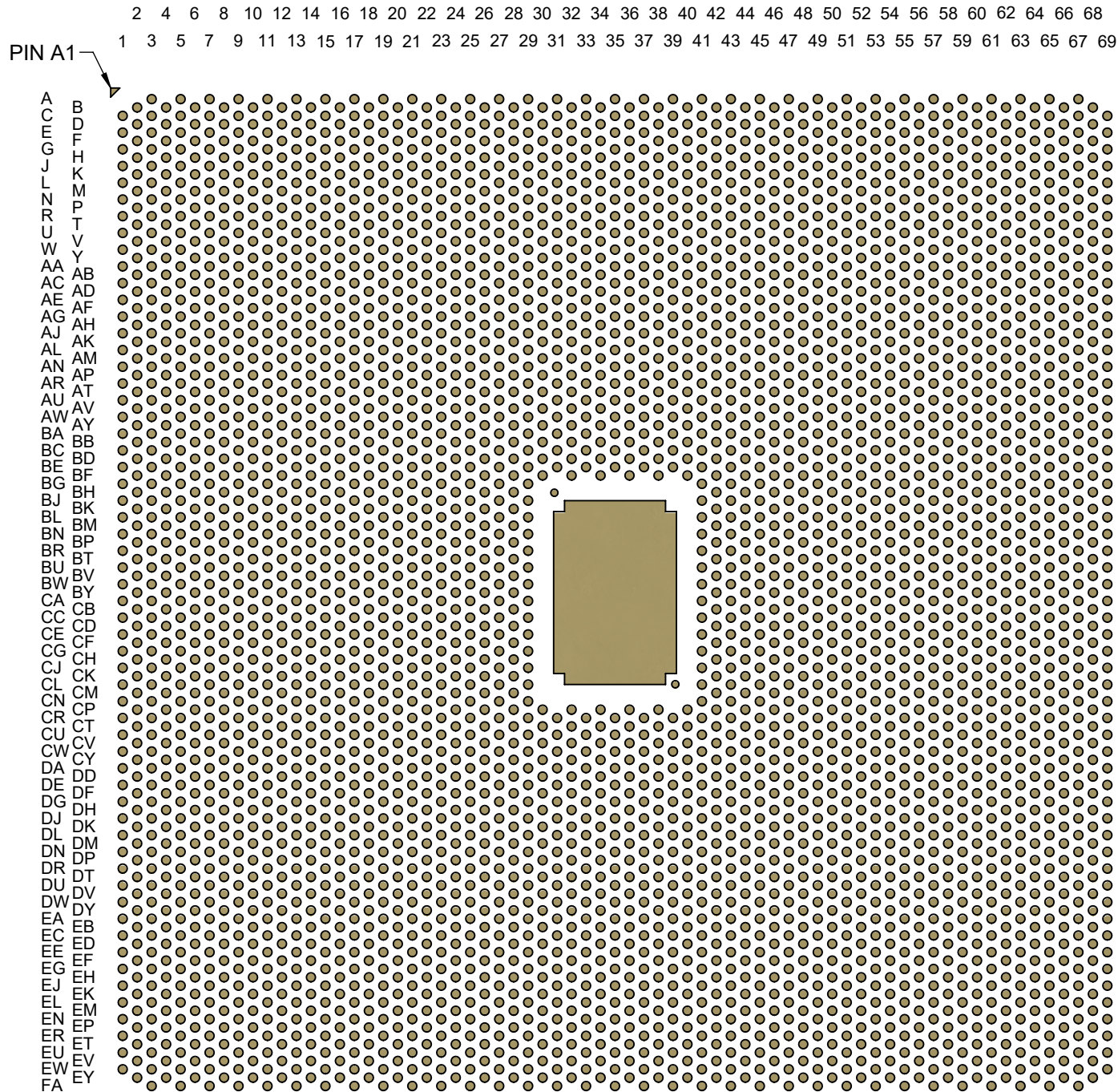
PIN A1

A
B
C
D
E
F
G
H
J
K
L
M
N
P
R
T
U
V
W
Y
AA
AB
AC
AD
AE
AF
AG
AH
AJ
AK
AL
AM
AN
AP
AR
AS
AT
AU
AV
AW
AX
AY
BA
BB
BC
BD
BE
BF
BG
BH
BJ
BK
BL
BM
BN
BP
BR
BS
BT
BU
BV
BW
BY
CA
CB
CC
CD
CE
CF
CG
CH
CJ
CK
CL
CM
CN
CP
CQ
CT
CU
CV
CW
CY
DA
DD
DE
DF
DG
DH
DJ
DK
DL
DM
DN
DP
DR
DT
DU
DV
DW
DY
EA
EB
EC
ED
EE
EF
EG
EH
EJ
EK
EL
EM
EN
EP
EU
EV
EW
EY
FA



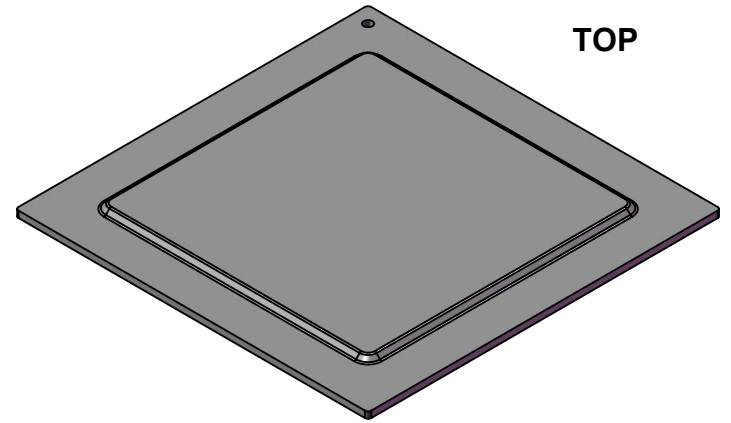
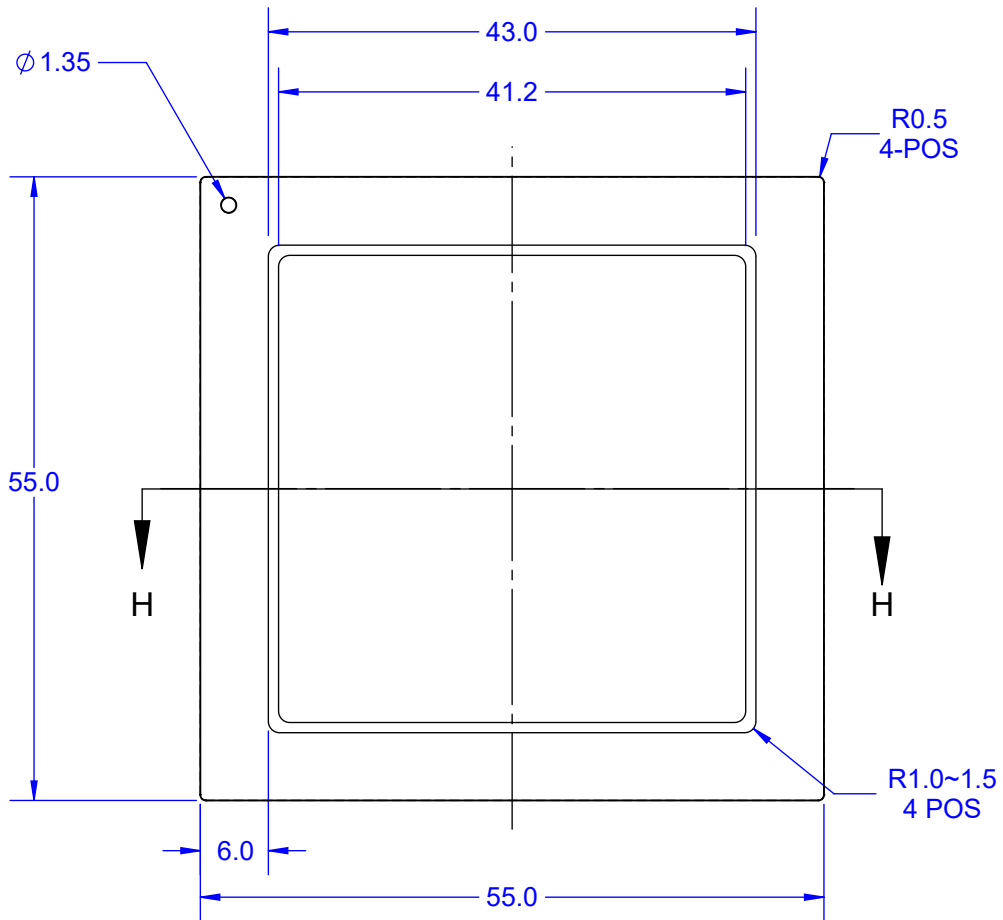
TopLine®			
TITLE		SBGA3948T.92C-DC695D DAISY CHAIN DUMMY	
SCALE	SIZE	DRAWING NO.	REV
3:1	A	596951	A
DO NOT SCALE DRAWING			SHEET 2 OF 6

BOTTOM SIDE (TOP X-RAY VIEW)

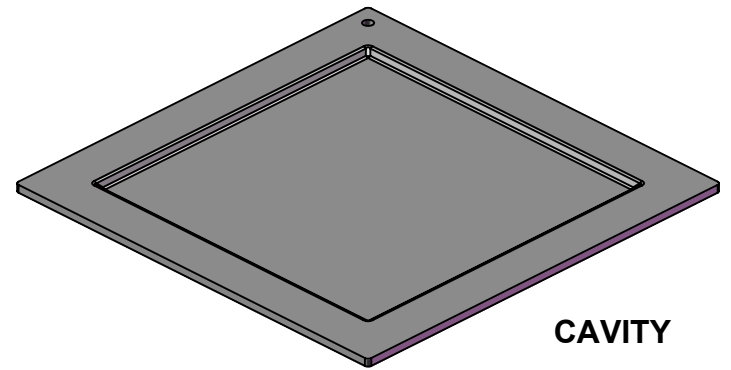


TopLine®			
TITLE SBGA3948T.92C-DC695D DAISY CHAIN DUMMY			
SCALE	SIZE	DRAWING NO.	REV
3:1	A	596951	A
DO NOT SCALE DRAWING			SHEET 3 OF 6

HEAT SPREADER

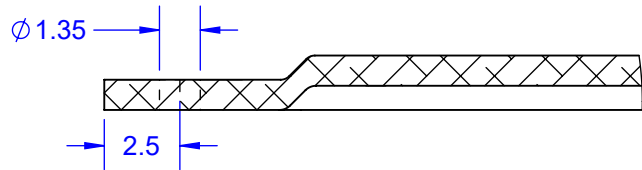


TOP

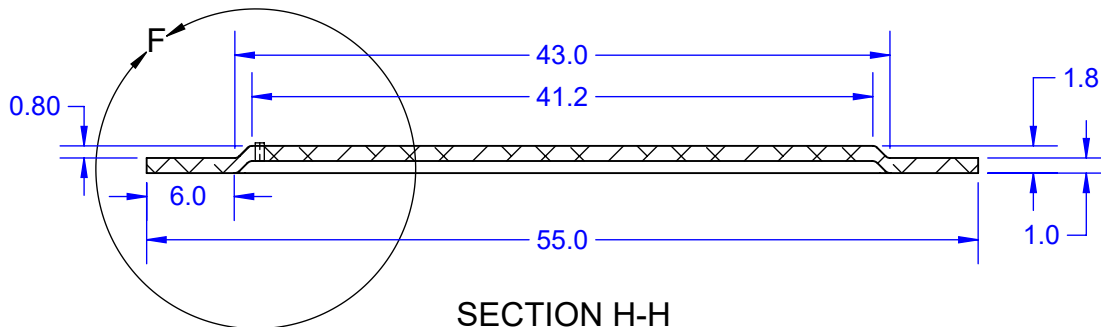


MODEL

CAVITY



DETAIL F
SCALE 4 : 1



SECTION H-H

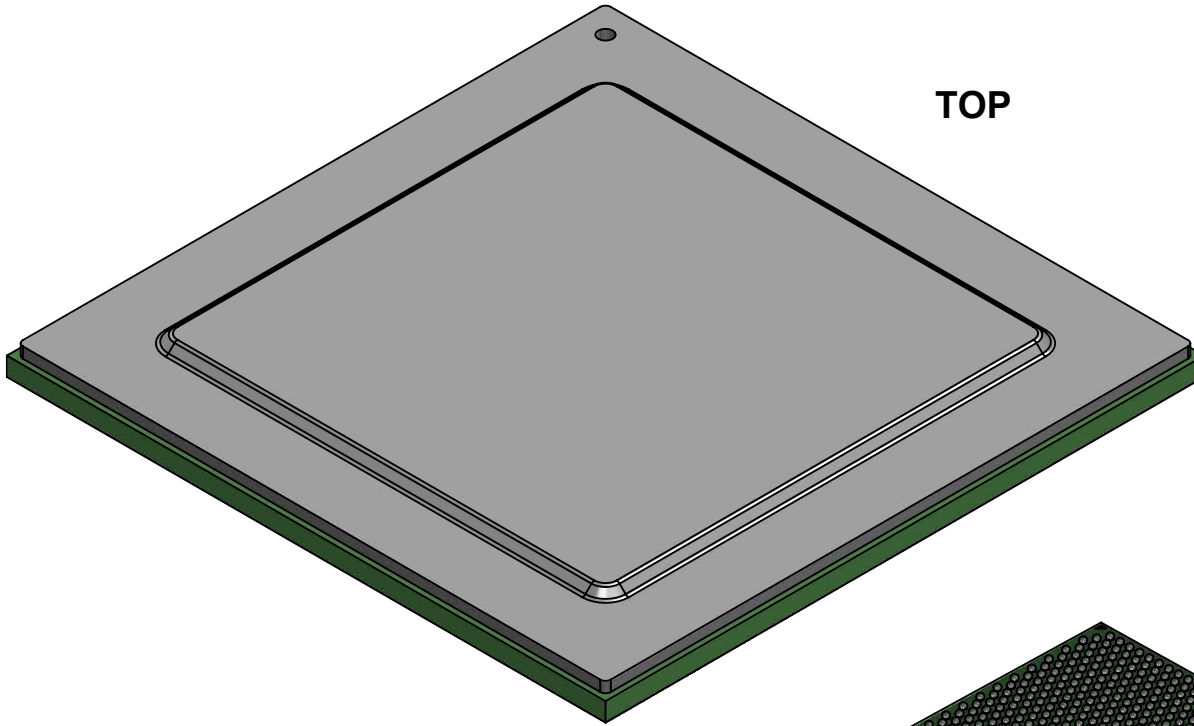
NOTES:

1. DIMENSIONS mm
2. MATERIAL: COPPER ALLOY C1020 OR C1100
HALF HARD, OXYGEN FREE
3. PLATING: NICKEL 5um MIN (SEMI FINISH)
4. PERIMETER EDGE IS UNPLATED.

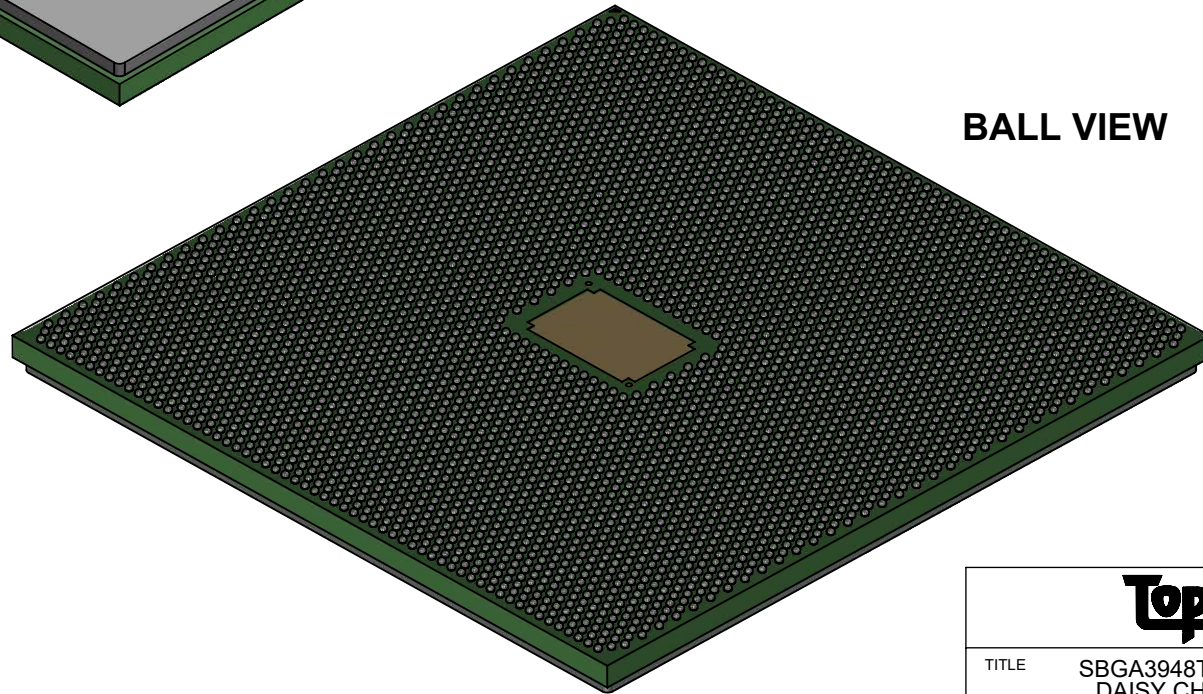
TopLine®			
TITLE		H-CAP - 55mm HEAT SPREADER	
SCALE	SIZE	DRAWING NO.	REV
3:1	A	257711	A
DO NOT SCALE DRAWING			SHEET 4 OF 6

MODEL

TOP



BALL VIEW



TopLine[®]

TITLE SBGA3948T.92C-DC695D
DAISY CHAIN DUMMY

SCALE 2:1	SIZE A	DRAWING NO. 596951	REV A
--------------	-----------	-----------------------	----------

DO NOT SCALE DRAWING

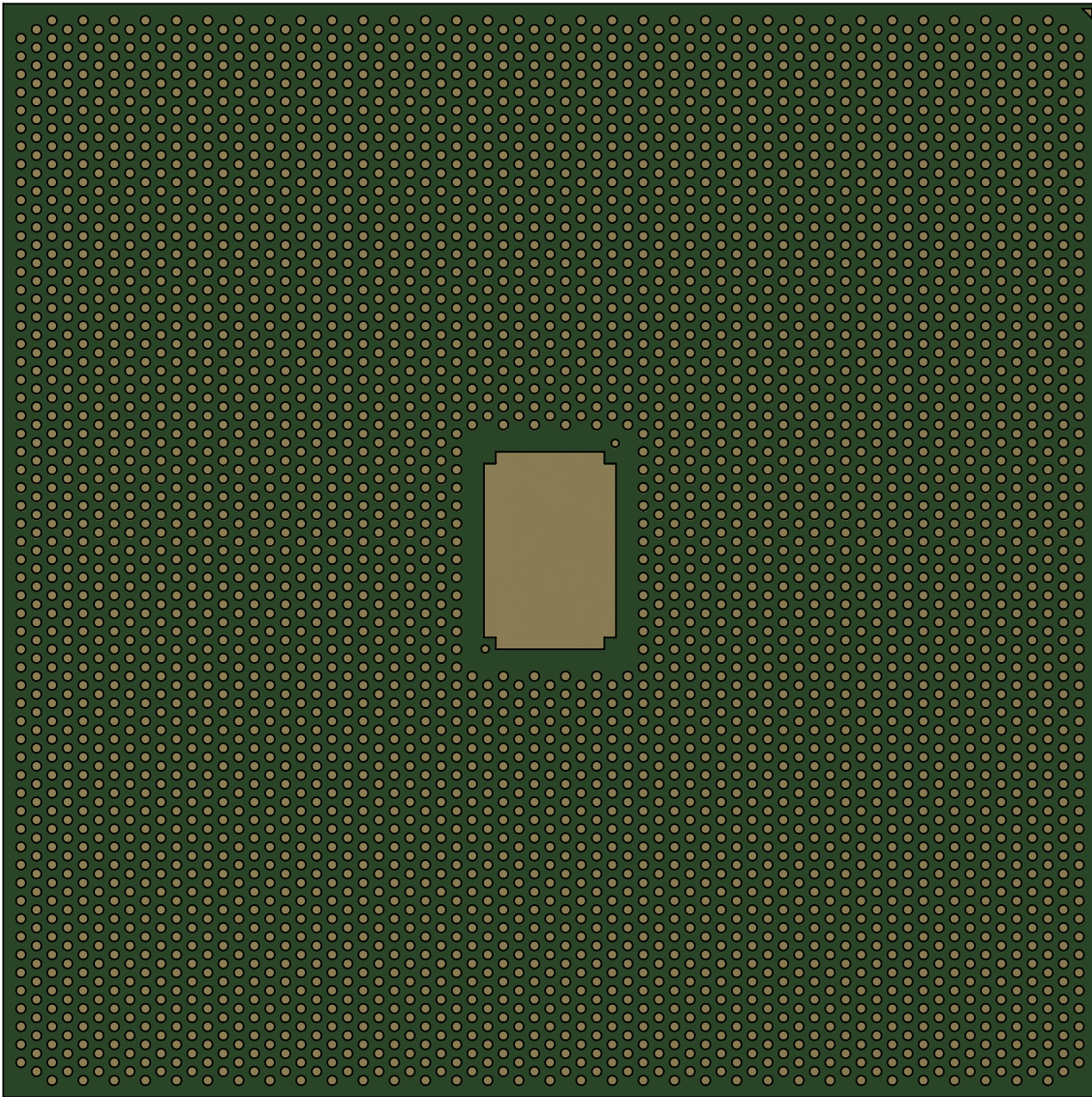
SHEET 5 OF 6

BOTTOM SOLDERMASK (RIGHT READING)

68 66 64 62 60 58 56 54 52 50 48 46 44 42 40 38 36 34 32 30 28 26 24 22 20 18 16 14 12 10 8 6 4 2
 69 67 65 63 61 59 57 55 53 51 49 47 45 43 41 39 37 35 33 31 29 27 25 23 21 19 17 15 13 11 9 7 5 3 1

PIN A1

A
C
E
G
J
L
N
R
U
W
AA
AC
AE
AG
AJ
AL
AN
AR
AU
AW
BA
BC
BE
BG
BJ
BL
BN
BR
BU
BW
CA
CC
CE
CG
CJ
CL
CN
CR
CU
CW
DA
DE
DG
DJ
DL
DN
DR
DU
DW
EA
EC
EE
EG
EJ
EL
EN
ER
EU
EW
FA



TopLine®			
TITLE		SBGA3948T.92C-DC695D DAISY CHAIN DUMMY	
SCALE	SIZE	DRAWING NO.	REV
3:1	A	596951	A
DO NOT SCALE DRAWING			SHEET 6 OF 6