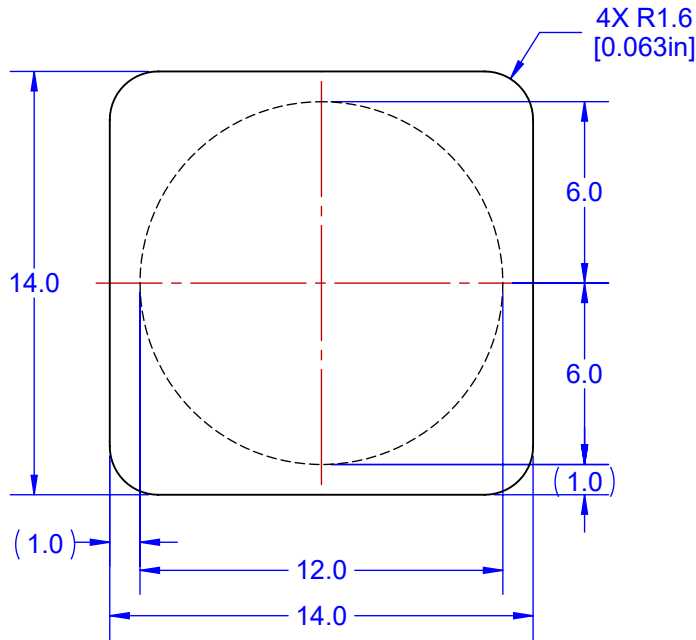
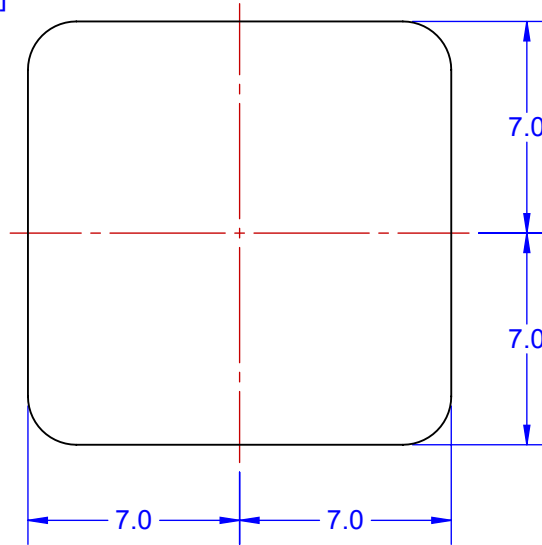


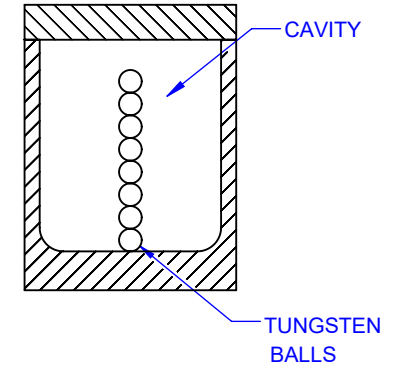
### TOP VIEW (SIDE LOAD)



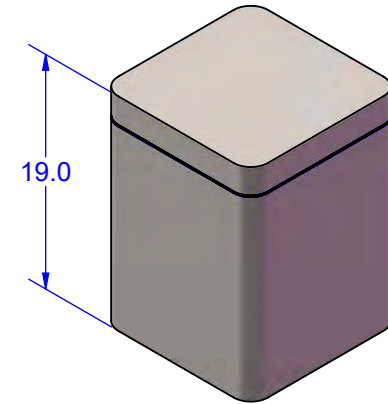
### BOTTOM VIEW



### SECTION VIEW



### MODEL



**DIMENSION AND WEIGHT (MASS) TABLE**

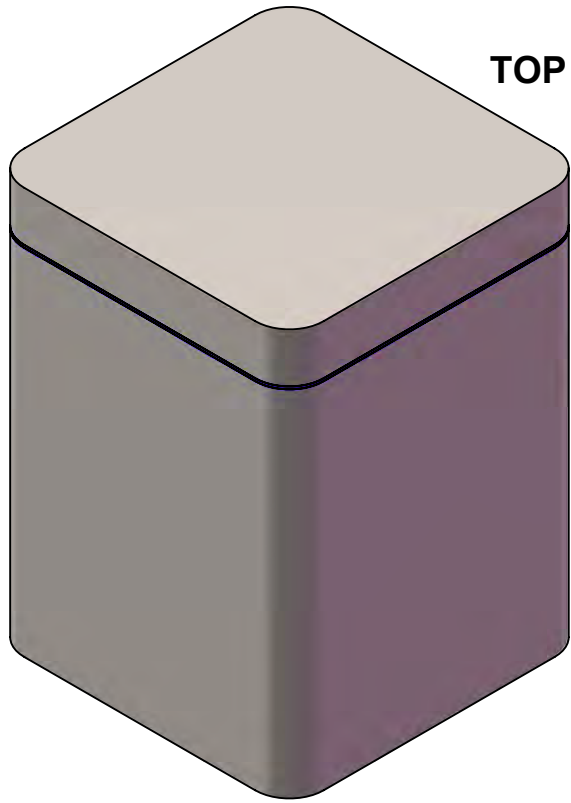
H HEIGHT ±10%	PCB MASS NOM	TUNGSTEN BALLS IN CAVITY				Est. PID MASS	SCREW ADJUST	SCREW HEX HEAD
		∅ DIA	Per Ball	QTY	MASS			
19mm	101g	2.0mm	0.073g	~140	10g	25g	NA	NA

**U.S. PATENTS 10041558,  
10021779, 10704639,  
10704639, D842351**

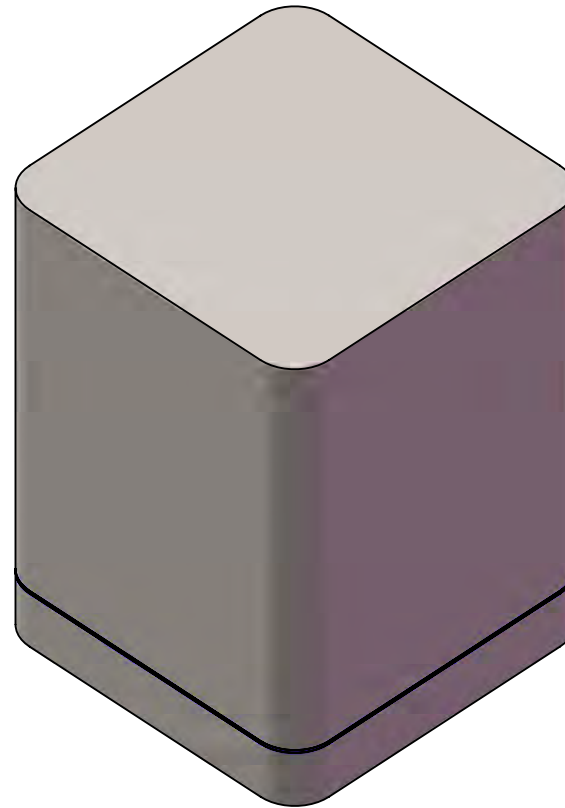
NOTES: (Unless Otherwise Specified).  
1. DIMENSIONS: MM.  
2. MOUNTING: GLUE TO PCB.

APPROVALS	DATE	<b>TopLine®</b>			
DRAWN T. Au	3/4/2024				
ENG M. Hart	3/4/2024	TITLE FAX10SQ14x19A PID VIBRATION DAMPER			
MFG		SCALE	SIZE	DRAWING NO.	REV
QA		4:1	A	230103	A
CUST		DO NOT SCALE DRAWING			SHEET 1 OF 7
REVISED					

# MODEL



TOP



BOTTOM

NOTES:  
1. CONTACT TOPLINE FOR OTHER MOUNTING OPTIONS.

<b>TopLine®</b>			
TITLE		FAX10SQ14x19A PID VIBRATION DAMPER	
SCALE	SIZE	DRAWING NO.	REV
4:1	A	230103	A
DO NOT SCALE DRAWING			SHEET 2 OF 7

## Part Number System

<u>F</u>	<u>A</u>	<u>X</u>	<u>10</u>	<u>SQ</u>	<u>14x</u>	<u>19</u>	<u>A</u>
Series	Mounting on PCB	Variation	Tungsten Payload Grams	Exterior Shape	X/Y Size	Height	Version/Option
<b><u>Filled</u></b>	<b><u>Mounting Style</u></b>	<b><u>Code</u></b>	<b><u>Code Grams</u></b>	<b><u>Code Shape</u></b>	<b><u>Code Size</u></b>	<b><u>Code Height</u></b>	<b><u>Code Version</u></b>
F = FR4	S = SCREW MOUNT  A = ADHESIVE GLUE	X = SPECIAL	10 = 10gm  Other Mass Available	SQ Square R Rectangle C Cylindrical T Toroid Z Custom	14x = 14mm SQ  Other Sizes Available	19 = 19mm  Other Sizes Available	A = 2.0m m TUNGSTEN  B = 2.3m m TUNGSTEN  Other Version Available
<b><u>Empty</u></b>							
E = FR4 Case							

## Order Number

<u>2</u>	<u>3</u>	<u>010</u>	<u>3</u>
DESCRIPTION	Mount Style	Mass (gm) 9 = Decimal	Option Code
<u>Code</u> <u>Description</u>	<u>Code</u> <u>Description</u>	<u>Code</u> <u>MASS</u>	<u>Code</u> <u>Option</u>
2 = Filled PID	2 = Screw 3 = Adhesive 9 = Custom 0 = Master DWG	010 = 010 gm	3 = A = 2.0mm TUNGSTEN  4 = B = 2.3mm TUNGSTEN

**TopLine®**

TITLE      FAX10SQ14x19A  
PID VIBRATION DAMPER

SCALE NONE	SIZE A	DRAWING NO. 230103	REV A
---------------	-----------	-----------------------	----------

DO NOT SCALE DRAWING

SHEET 3 OF 7