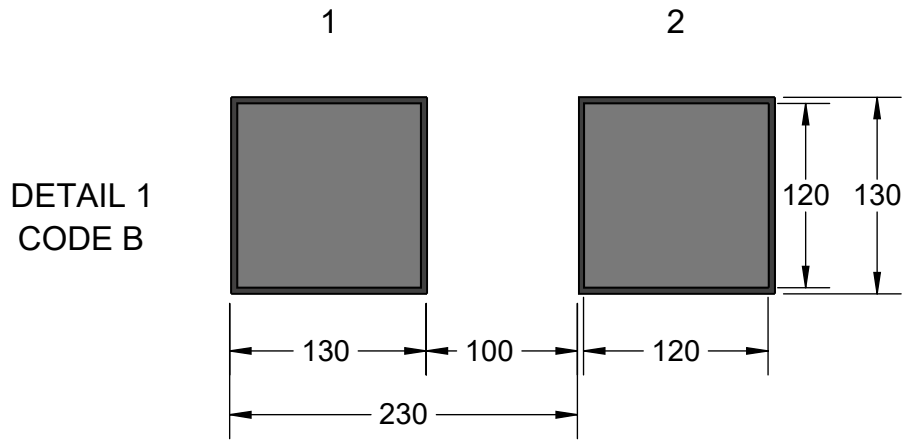
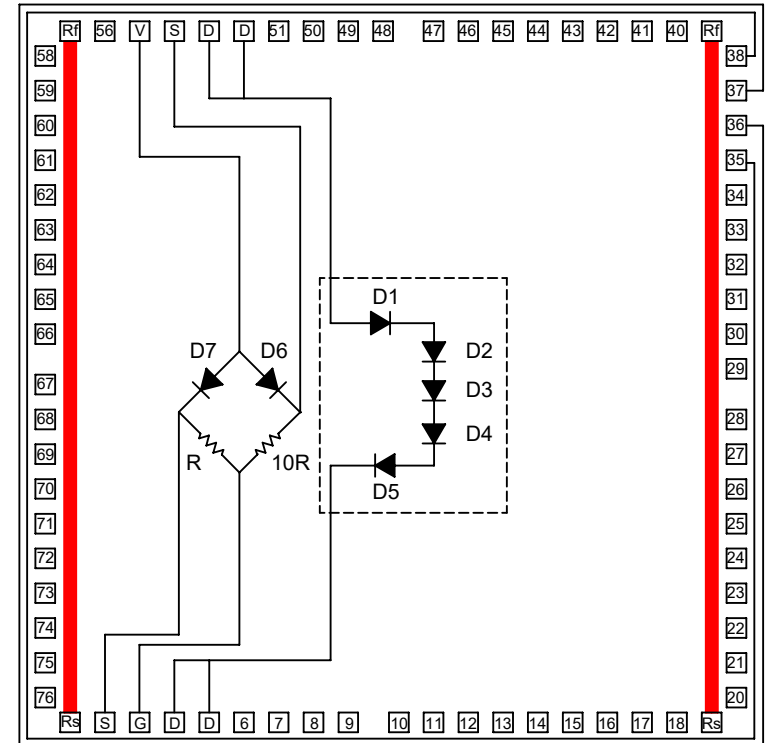


PST3 THERMAL DIE 5.0mm x 5.0mm

BONDING PAD



DETAIL 1
CODE B



REFERENCE:
Rf~Rs = HEATER Si RESISTIVE
D = DIODE
V = +VOLTAGE
G = GROUND
S = TEMPERATURE SENSE

NOTES:

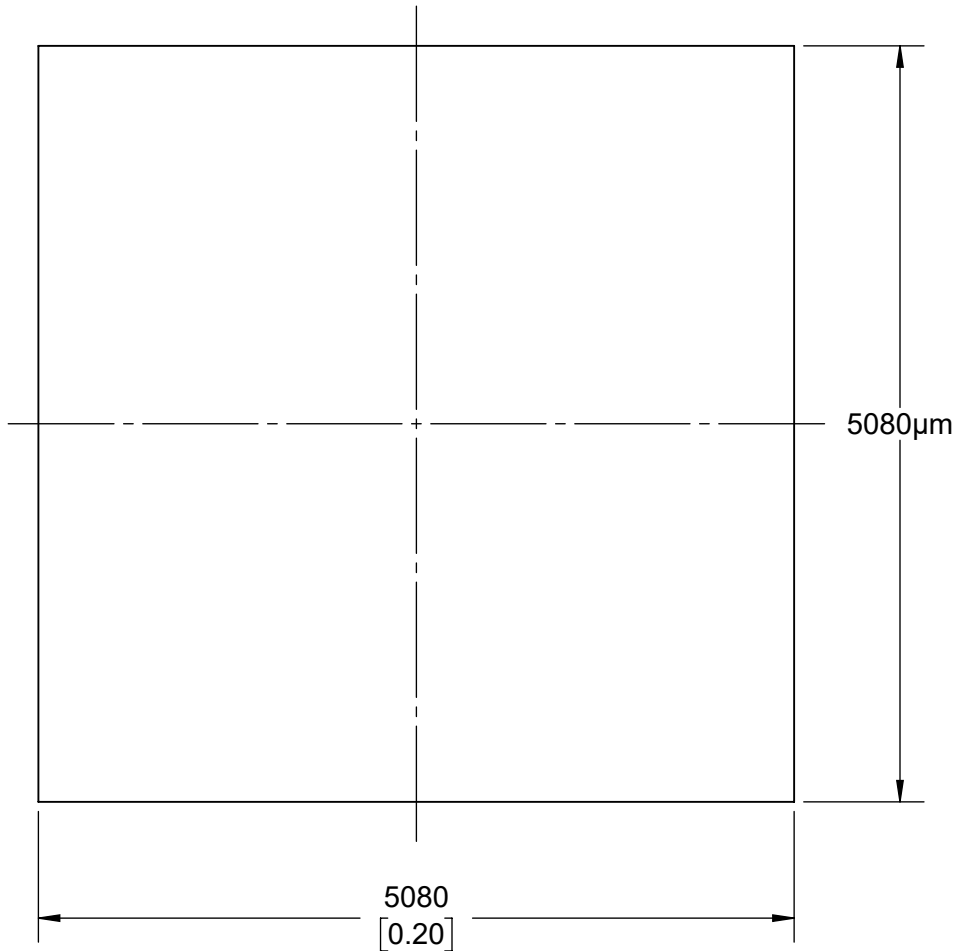
- 1) DIMENSIONS IN MICRONS (μm) OR AS SPECIFIED.
- 2) THICKNESS: 635 μm (OTHER AVAILABLE).
- 3) PASSIVATION: NITRIDE 10KA THICKNESS (1.0 μm).
- 4) PACKAGING: STANDARD WAFFLE PACK (TRAY).
- 5) PAD METAL THICKNESS: 17KA (1.7 μm).
- 6) SILICON ORIENTATION 1-1-1.
- 7) SILICON TYPE P.

PART NUMBER TABLE

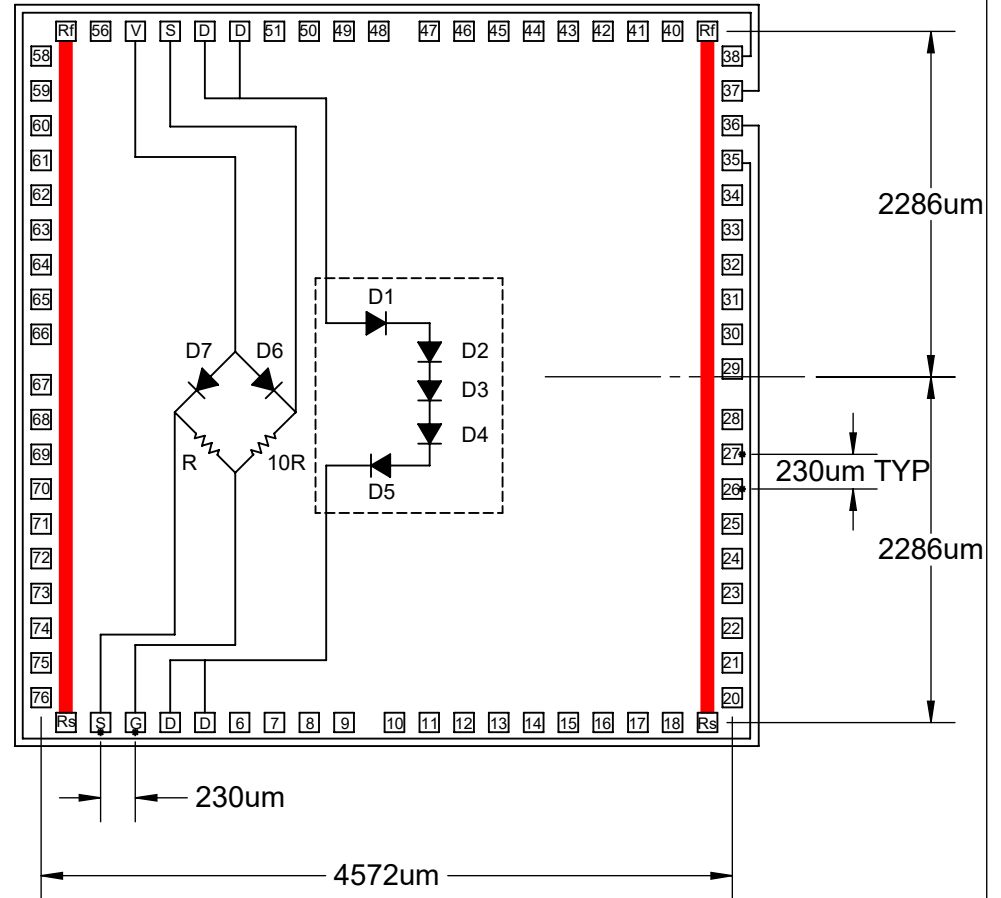
PART NUMBER	DIE SIZE	DIE PER WAFER	BOND PAD	DETAIL
PST3-B5.0A	5.08mm	~370	120 μm SQ	1

APPROVALS	DATE	TopLine®		
DRAWN T. Au	7/16/2018	TITLE PST3 THERMAL DIE 5.0mm x 5.0mm		
ENG M. Hart	7/16/2018			
MFG		SCALE	SIZE	DRAWING NO.
QA		20:1	A	130021
CUST				REV A
REVISED		DO NOT SCALE DRAWING		SHEET 1 OF 4

BACK SIDE



PAD SIDE



REFERENCE:
 Rf~Rs = HEATER Si RESISTIVE
 D = DIODE
 V = +VOLTAGE
 G = GROUND
 S = TEMPERATURE SENSE

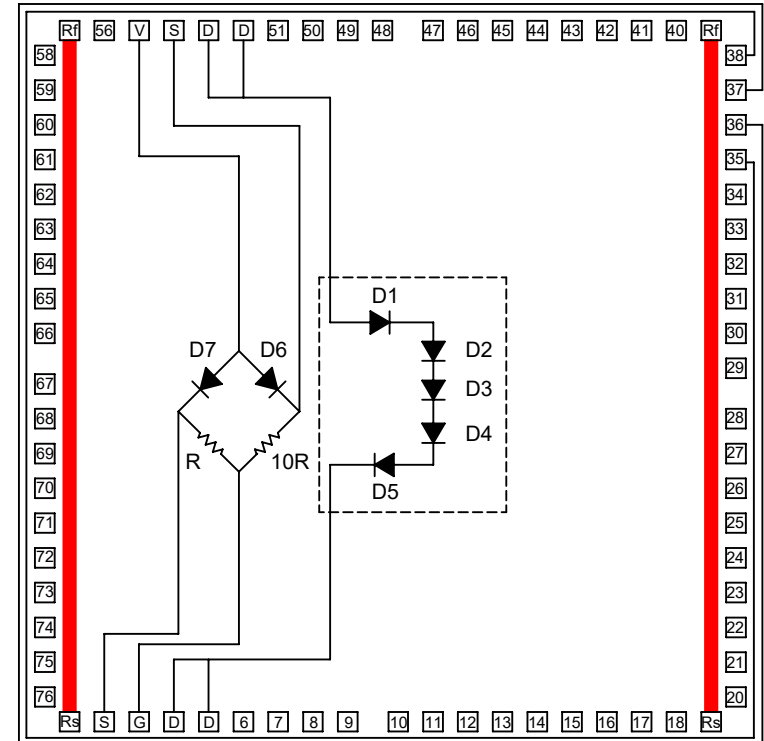
TopLine®			
TITLE		PST3 THERMAL DIE 5.0mm x 5.0mm	
SCALE	SIZE	DRAWING NO.	REV
40:1	A	130021	A
DO NOT SCALE DRAWING			SHEET 2 OF 4

NET LIST

(0,0) is located at the center of the die

MICRON um				MICRON um			
PIN#	NAME	X	Y	PIN#	NAME	X	Y
1	Rs (1)	-2122	-2286	39	Rf (1)	2122	2286
2	S (1)	-1892	-2286	40	Pin 40	1892	2286
3	G	-1662	-2286	41	Pin 41	1662	2286
4	D (1)	-1432	-2286	42	Pin 42	1432	2286
5	D (2)	-1202	-2286	43	Pin 43	1202	2286
6	Pin 6	-972	-2286	44	Pin 44	972	2286
7	Pin 7	-742	-2286	45	Pin 45	742	2286
8	Pin 8	-512	-2286	46	Pin 46	512	2286
9	Pin 9	-282	-2286	47	Pin 47	282	2286
10	Pin 10	52	-2286	48	Pin 48	-52	2286
11	Pin 11	282	-2286	49	Pin 49	-282	2286
12	Pin 12	512	-2286	50	Pin 50	-512	2286
13	Pin 13	742	-2286	F	Pin 51	-742	2286
14	Pin 14	972	-2286	52	D (3)	-972	2286
15	Pin 15	1202	-2286	53	D (4)	-1202	2286
16	Pin 16	1432	-2286	54	S (2)	-1432	2286
17	Pin 17	1662	-2286	55	V	-1662	2286
18	Pin 18	1892	-2286	56	Pin 56	-1892	2286
19	Rs (2)	2122	-2286	57	Rf (2)	-2122	2286
20	Pin 20	2286	-2122	58	Pin 58	-2286	2122
21	Pin 21	2286	-1892	59	Pin 59	-2286	1892
22	Pin 22	2286	-1662	60	Pin 60	-2286	1662
23	Pin 23	2286	-1432	61	Pin 61	-2286	1432
24	Pin 24	2286	-1202	62	Pin 62	-2286	1202
25	Pin 25	2286	-972	63	Pin 63	-2286	972
26	Pin 26	2286	-742	64	Pin 64	-2286	742
27	Pin 27	2286	-512	65	Pin 65	-2286	512
28	Pin 28	2286	-282	66	Pin 66	-2286	282
29	Pin 29	2286	52	67	Pin 67	-2286	-52
30	Pin 30	2286	282	68	Pin 68	-2286	-282
31	Pin 31	2286	512	69	Pin 69	-2286	-512
32	Pin 32	2286	742	70	Pin 70	-2286	-742
33	Pin 33	2286	972	71	Pin 71	-2286	-972
34	Pin 34	2286	1202	72	Pin 72	-2286	-1202
35	Pin 35	2286	1432	73	Pin 73	-2286	-1432
36	Pin 36	2286	1662	74	Pin 74	-2286	-1662
37	Pin 37	2286	1892	75	Pin 75	-2286	-1892
38	Pin 38	2286	2122	76	Pin 76	-2286	-2122

NC = NO CONNECTION



REFERENCE:

Rf~Rs = HEATER Si RESISTIVE ELEMENTS

D = DIODE

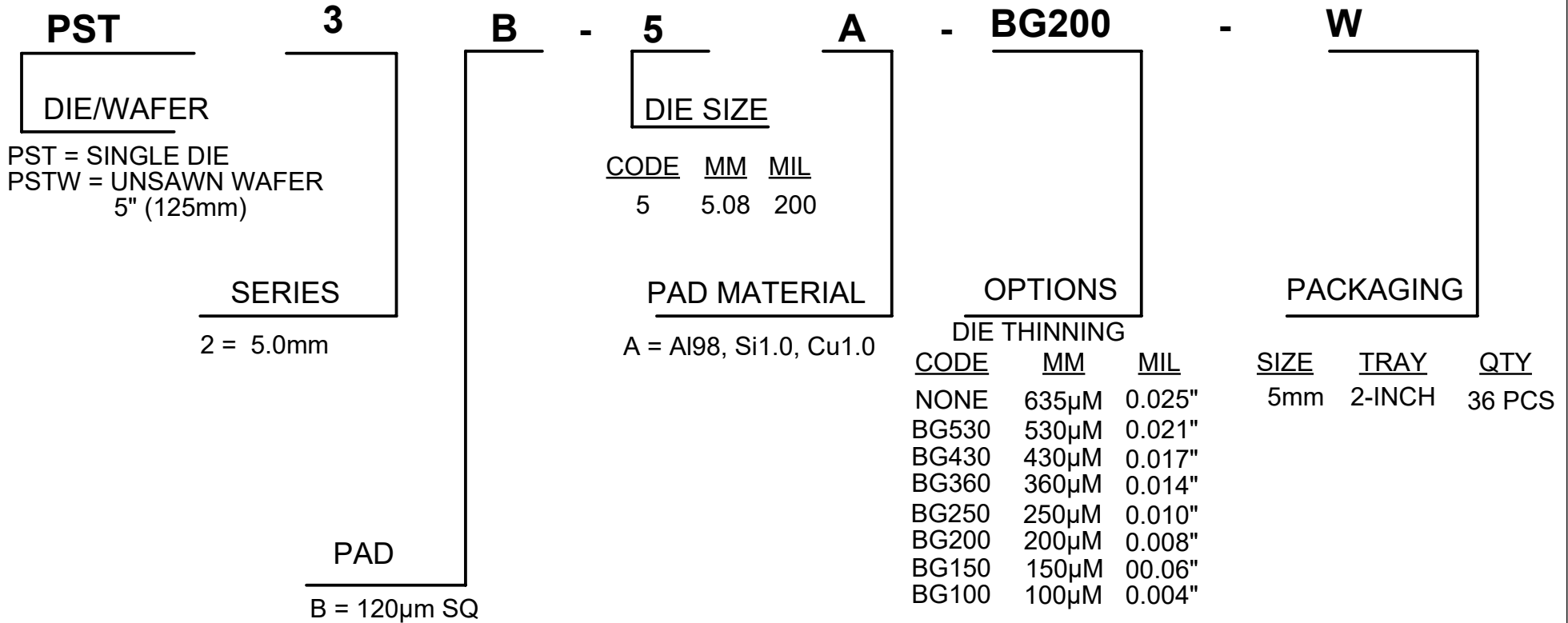
V = +VOLTAGE

G = GROUND

S = TEMPERATURE SENSE

TopLine®			
TITLE PST3 THERMAL DIE 5.0mm x 5.0mm			
SCALE 40:1	SIZE A	DRAWING NO. 130021	REV A
DO NOT SCALE DRAWING			SHEET 3 OF 4

PART NUMBERING SYSTEM



TopLine®			
TITLE PST3 THERMAL DIE 5.0mm x 5.0mm			
SCALE NONE	SIZE A	DRAWING NO. 130021	REV A
DO NOT SCALE DRAWING			SHEET 4 OF 4