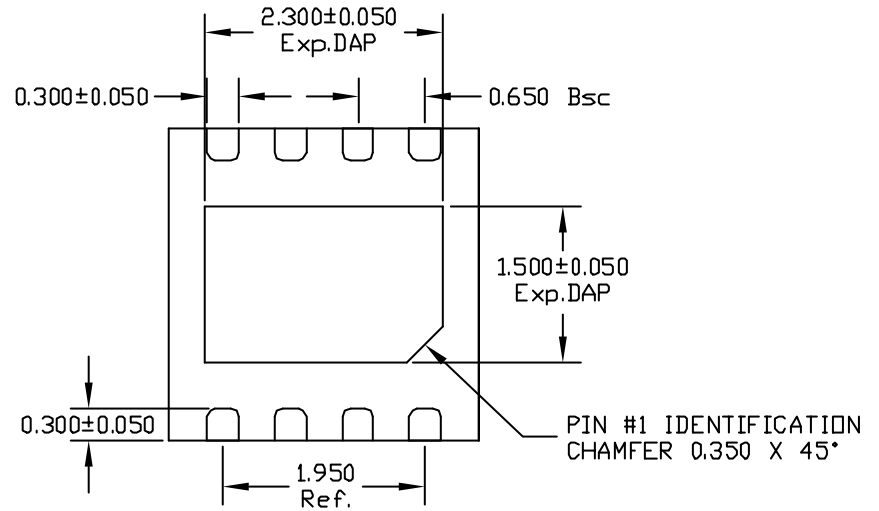


TOP VIEW

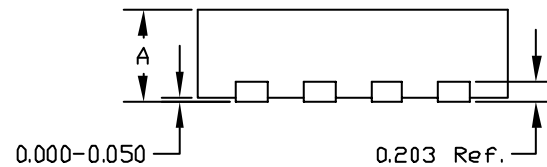


BOTTOM VIEW

NOTE:

1) TSLP AND SLP SHARE THE SAME EXPOSE OUTLINE BUT WITH DIFFERENT THICKNESS:

A	TSLP		SLP
	MAX.	0.800	0.900
NOM.	0.750	0.850	
MIN.	0.700	0.800	



SIDE VIEW

					<b>TOLERANCES</b> REFER TO SPECIFICATION ABOVE	UNIT: MM	SCALE: NTS	DESIGNED: STEVEN ONG	DATE:	8L 3x3 mm (PACKAGE OUTLINE)
								APPD: ANDREW TAN	DATE:	
								APPD: CW CHAI	DATE:	
								APPD: GC TAN	DATE:	
								APPD: RIZAL	DATE:	
							APPD: WH LAI	DATE:		
REV.	DESCRIPTION	DATE	BY	APPD				DWG. NO: PG-08(T/SLP)3X3-1.50x2.3D	REV.: 00	SHEET No : 1 OF 1.