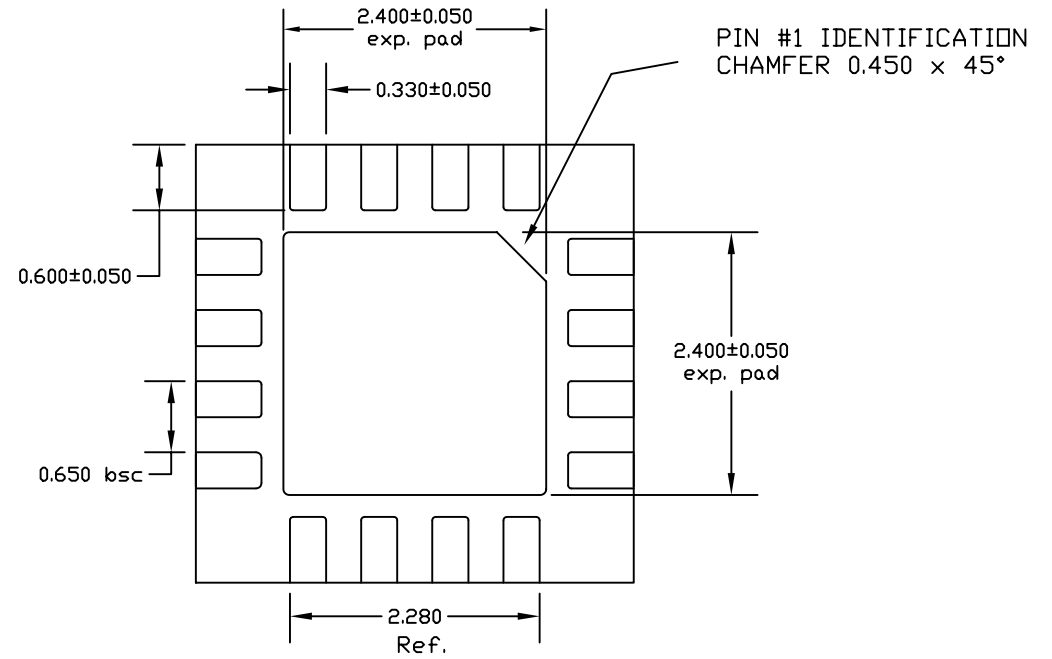
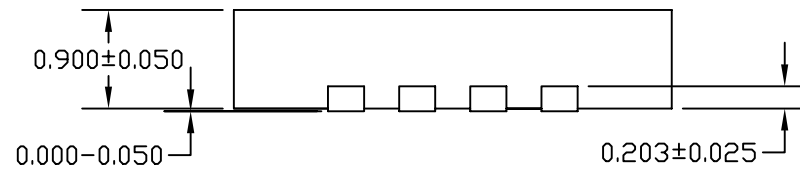
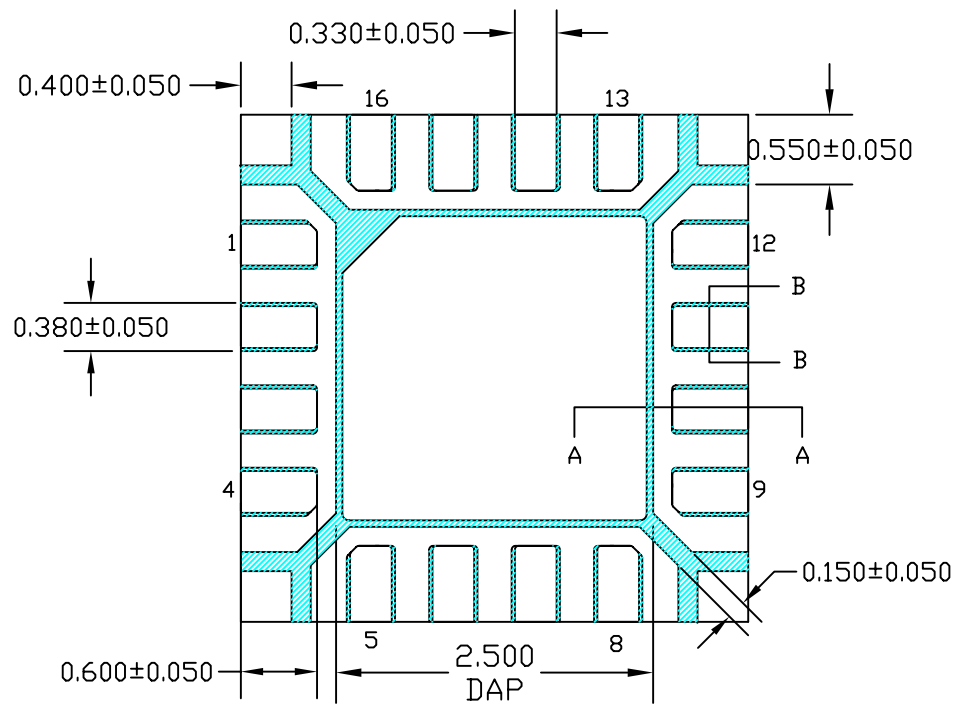


Top View

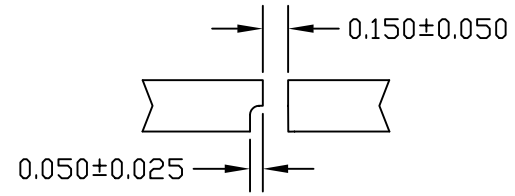


Btm View

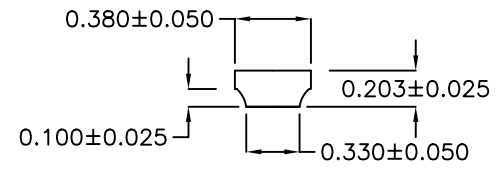




HALF ETCH AREA



SECTION A-A



SECTION B-B

|  |  |
|--|--|
|  |  |
|  |  |
|  |  |