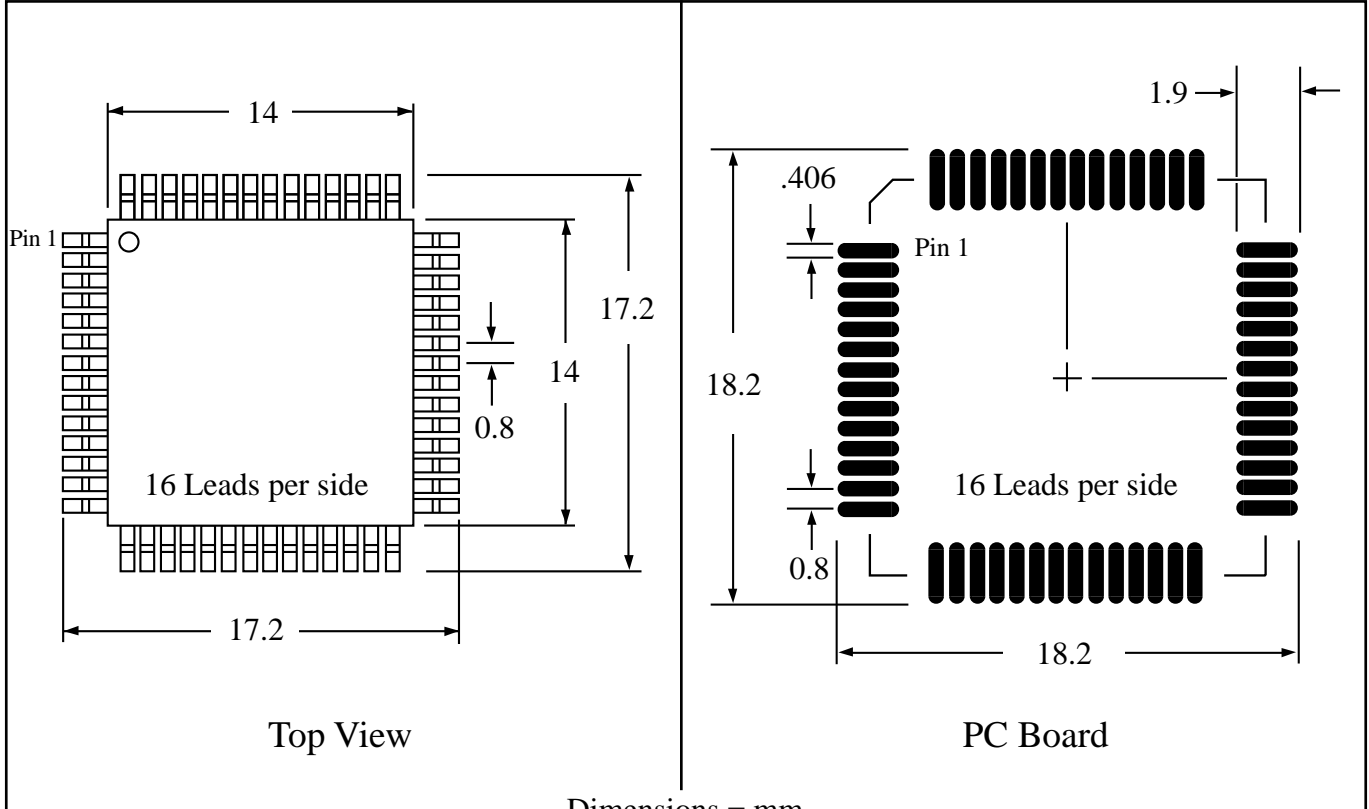


Part # **QFP64T30-3.2**
 Leads **64** Pitch **0.8mm**
 Body Size **14mmSQ**

TopLineTM
 Tel 1-714-898-3830
 info@toplinedummy.com

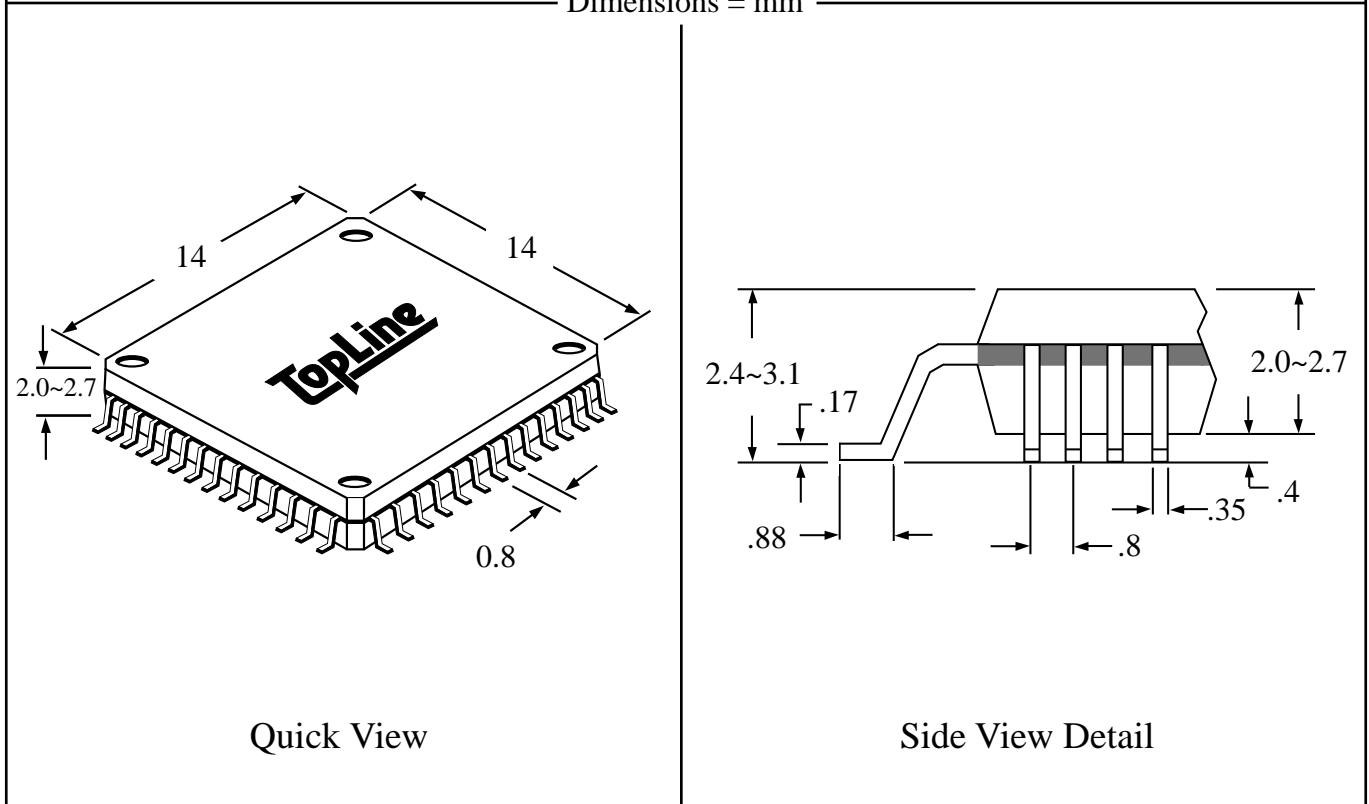
Dwg Q64P832X.pdf



Top View

PC Board

Dimensions = mm



Quick View

Side View Detail