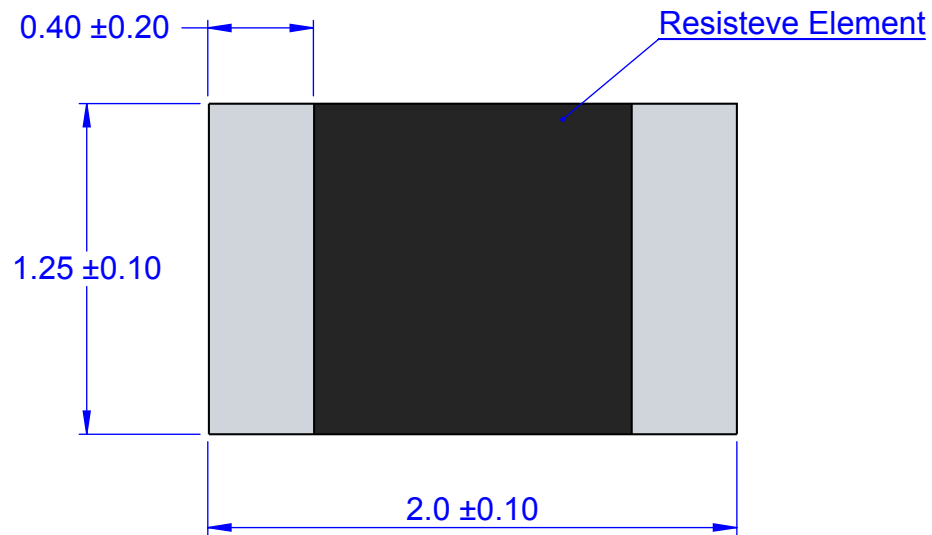
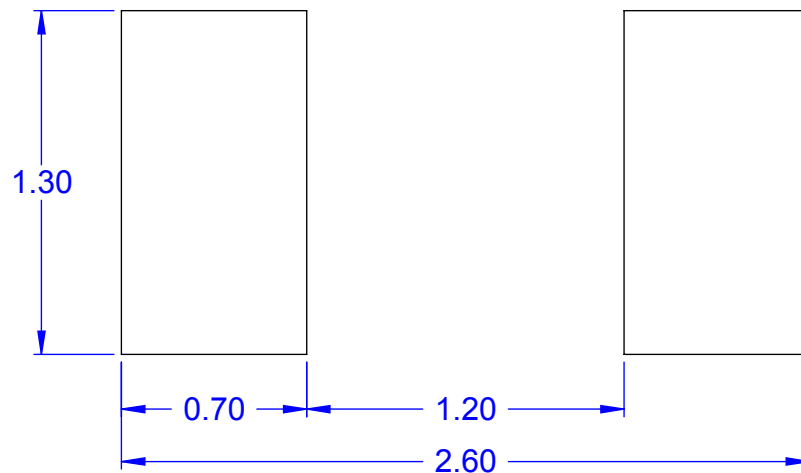


## TOP VIEW

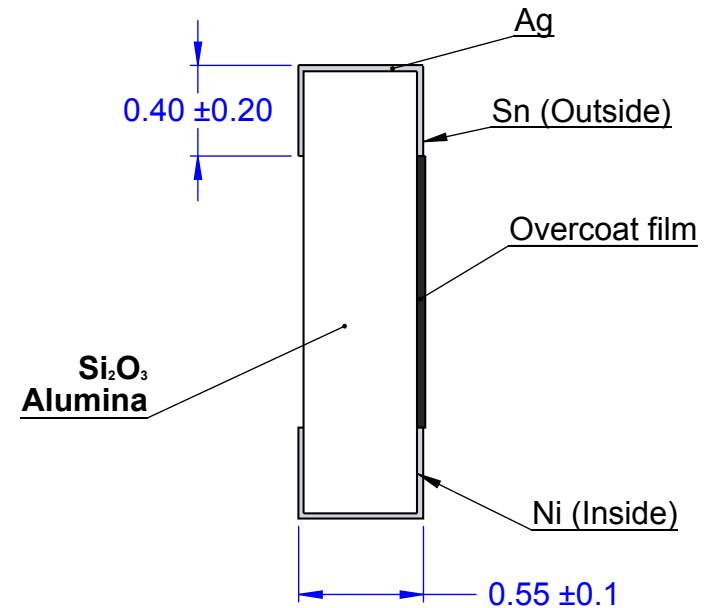


## RECOMMENDED PCB PATTERN



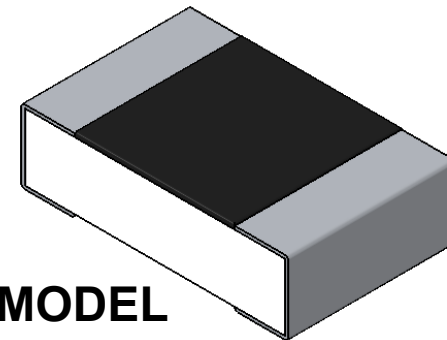
PCB DIMENSIONS ARE PRESENTED ONLY AS A GUIDELINE. DESIGNERS SHOULD USE THEIR OWN KNOWLEDGE BASE WHEN DESIGNING THE PCB.

## STRUCTURE



NOTES: Current Rating 1A @ 100WVDC

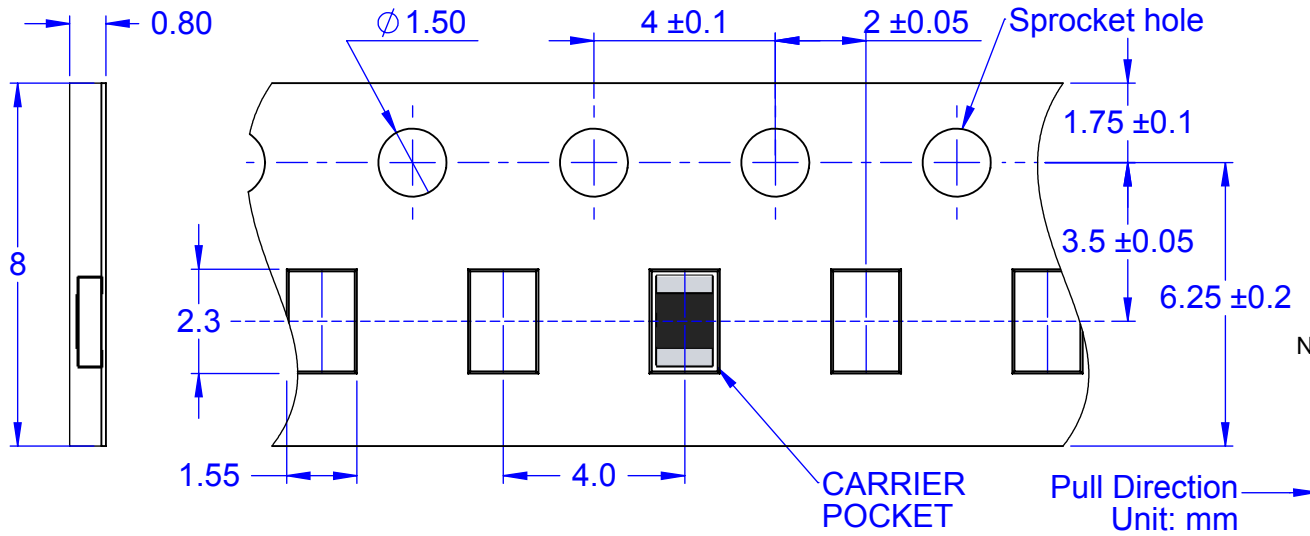
1. DIMENSIONS IN mm.
2. TERMINATION: Tin (Sn).
3. Pb-FREE AND HALOGEN FREE.



## MODEL

APPROVALS	DATE	<b>TopLine®</b>			
DRAWN T. Au	08/03/12				
ENG M. Hart	08/03/12	TITLE SR0805 SMT RESISTOR			
MFG		SCALE	SIZE A	DRAWING NO. 120802	REV A
QA					
CUST		DO NOT SCALE DRAWING			SHEET 1 OF 2
REVISED					

# W8P4 CARRIER TAPE DIMENSION



## PART NUMBER SYSTEM

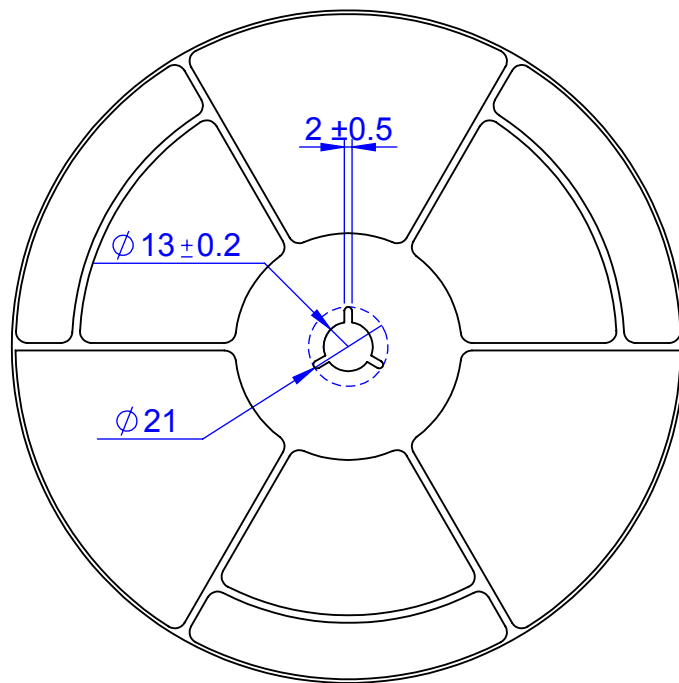
SR 0805 P7A - ZERO - T

RESISTOR      PACK CODE < 50mΩ

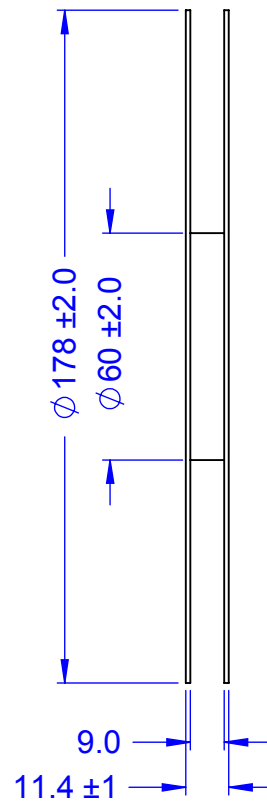
SIZE CODE      TERMINATION Sn (TIN)

2.0 x 1.25mm

NOTE: For dummy resistor replace ZERO with blank



## REEL DIMENSIONS



## PACK CODE

CODE	QTY	PACKAGE
P7A	5,000	REEL
P4A	1,000	REEL

APPROVALS	DATE	<b>TopLine®</b>			
DRAWN T. Au	08/03/12	TITLE SR0805 SMT RESISTOR			
ENG M. Hart	08/03/12				
MFG		SCALE	SIZE A	DRAWING NO. 120802	REV A
QA					
CUST		DO NOT SCALE DRAWING			SHEET 2 OF 2
REVISED					