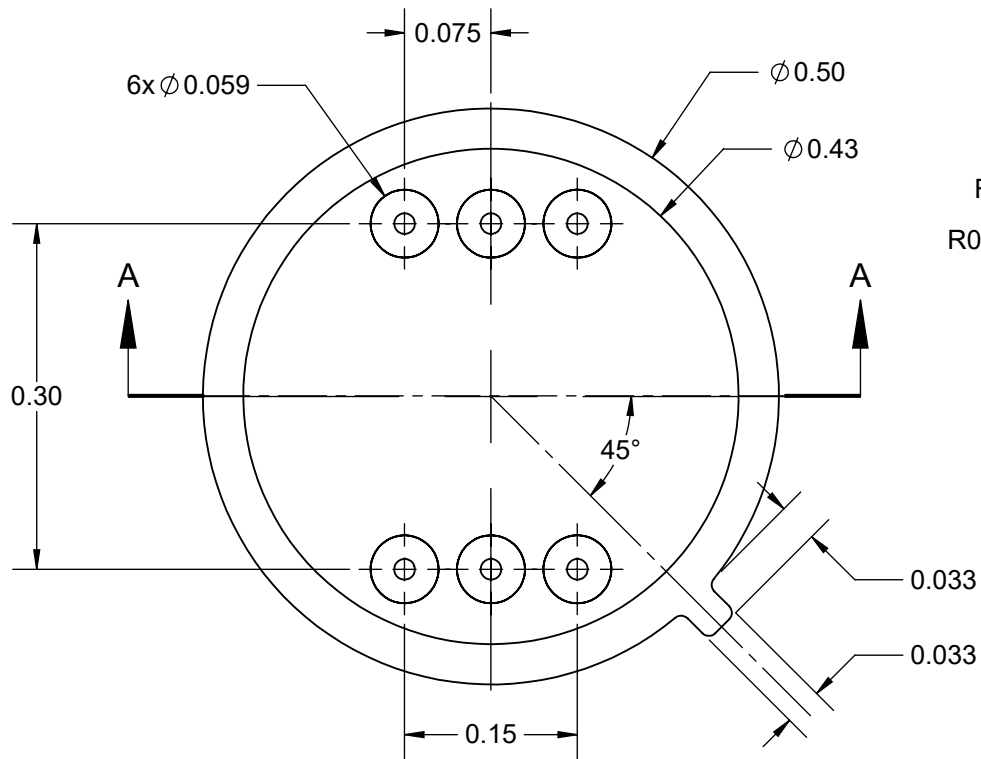
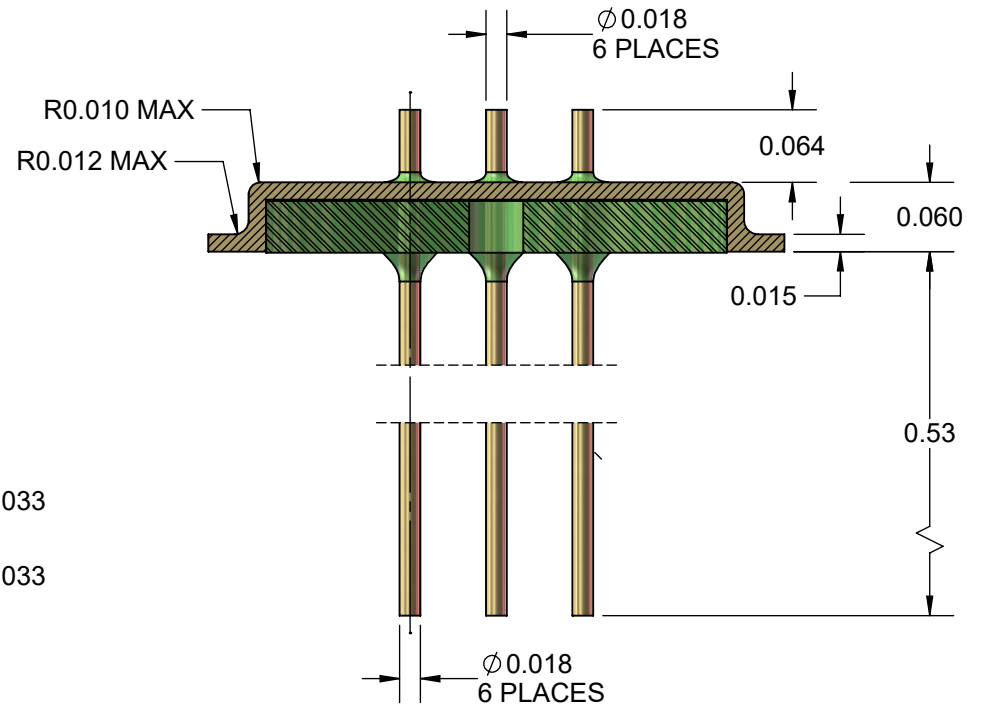


TOP VIEW



SECTION VIEW A-A



SECTION A-A
SCALE 6 : 1



MODEL
SCALE 3:1

NOTES:

1. DIMENSIONS in INCH (Unless Otherwise Specified).
2. BODY KOVAR ASTM F45 ALLOY 42.
3. LEADS KOVAR ASTM F15.
4. GLASS 7052 OR EQUIVALENT.
5. PLATING: Ni 100~300 Micro-inch
Au 50 Micro-inch MIN

APPROVALS	DATE	TopLine®			
DRAWN T.Au	5/25/2020				
ENG M. Hart	5/25/2020	TITLE TO8 HEADER 6L .064" PIN ISOLATED			
MFG		SCALE 6:1	SIZE A	DRAWING NO. 170806	REV A
QA					
CUST		DO NOT SCALE DRAWING			SHEET 1 OF 1
REVISED					