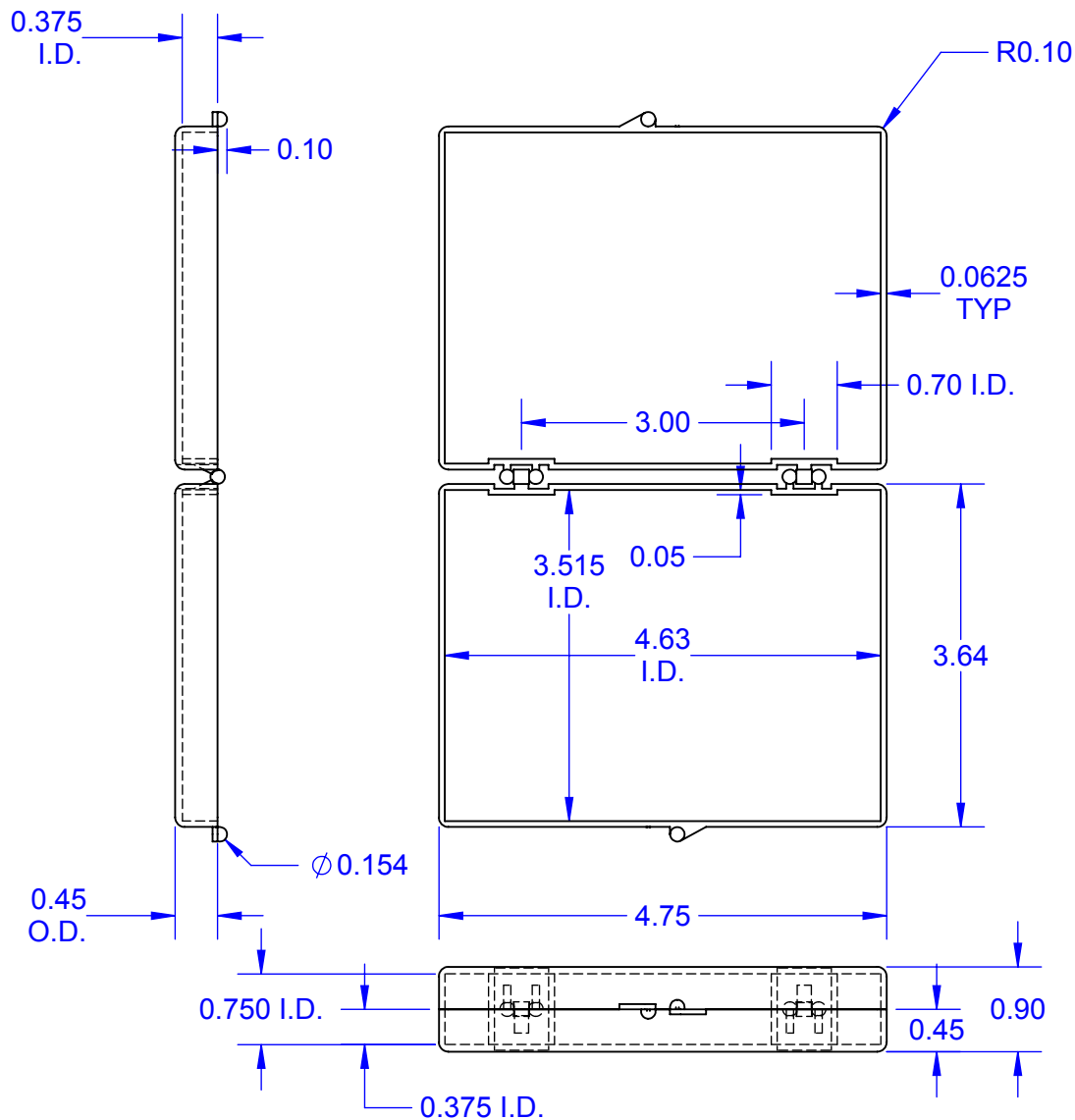
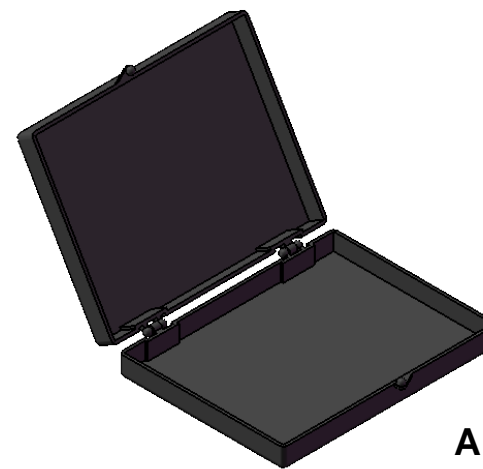
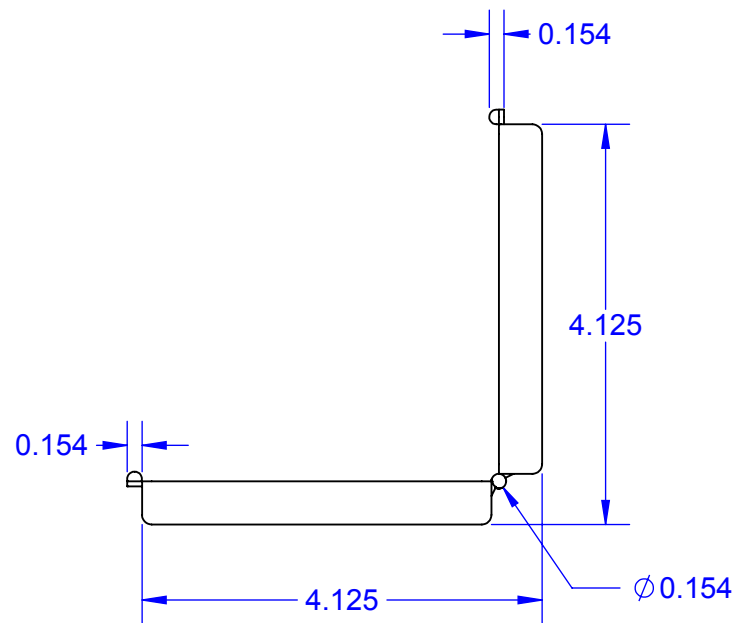


HCD fCD9 B L



: FCBHf7 @CG98 L

G89 J9K fCD9 B L



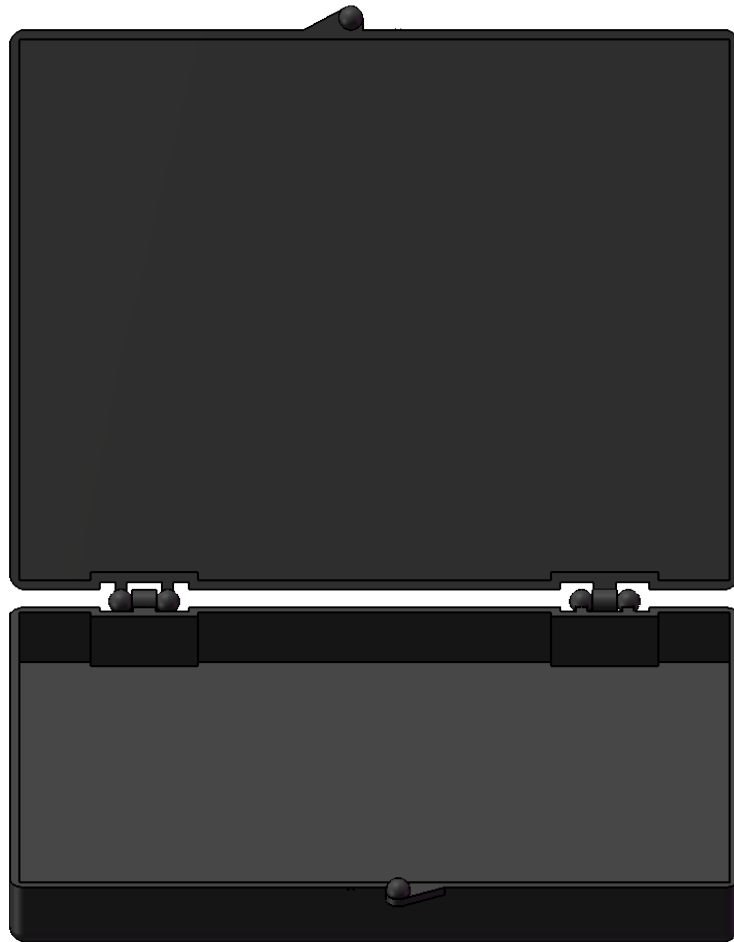
AC89 @

Notes: (Unless Otherwise Specified).

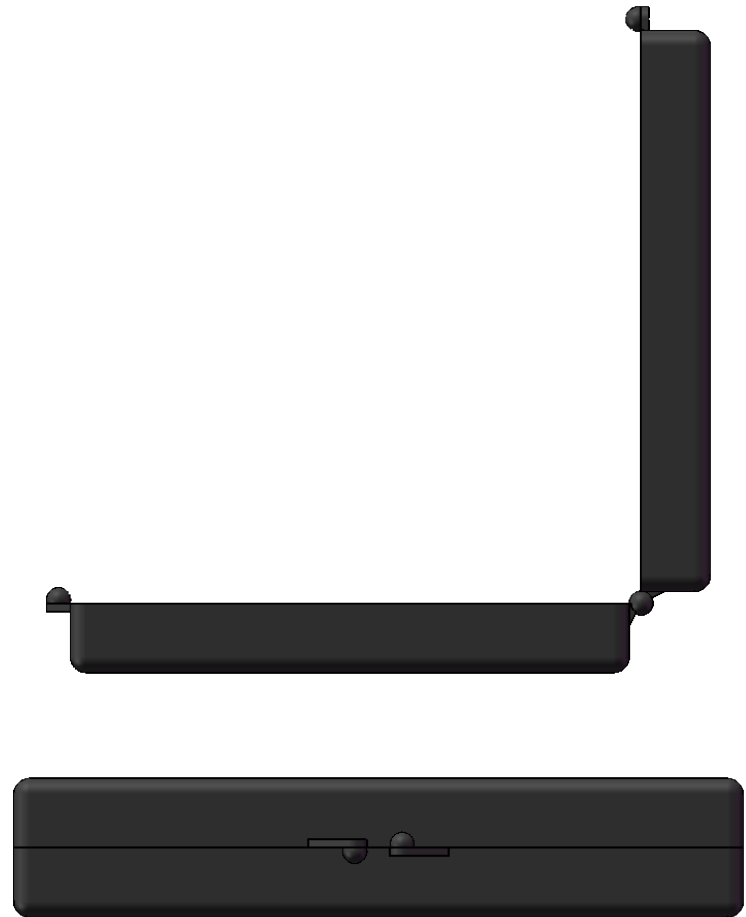
- 1) SURFACE RESISTIVITY: $10^3 \Omega$ TO $10^6 \Omega$ PER SQUARE.
- 2) MATERIAL: CARBON FILLED POLYPROPYLENE.
- 3) DIMENSIONS IN INCHES.

APPROVALS	DATE	TopLine®			
DRAWN T.Au	12/26/2018				
ENG M. Hart	12/26/2018	TITLE EC1-19mm EMPTY HINGE BOX			
MFG		SCALE	SIZE	DRAWING NO.	REV
QA		1:2	A	090750	A
CUST		DO NOT SCALE DRAWING			SHEET 1 OF 3
REVISED					

AC89 @CD9B



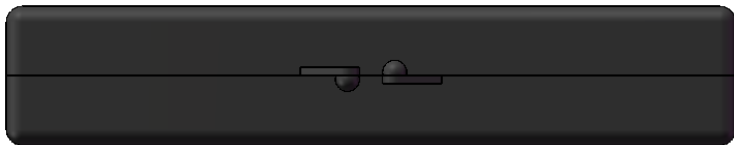
AC89 @G89 J9K fCD9BL



AC89 @: FCBHJ9K f7 @CG98L

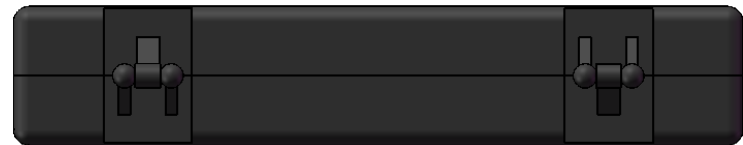
TopLine®			
TITLE		EC1-19mm EMPTY HINGE BOX	
SCALE	SIZE	DRAWING NO.	REV
1:1.25	A	090750	A
DO NOT SCALE DRAWING			SHEET 2 OF 3

HCD'J→K



AC89 @: FCBH'J→K 'f7 @CG98L

6 CHHCA 'J→K



F95F'J→K 'fk-B; 9'G-89L

TopLine®

TITLE EC1-19mm
EMPTY HINGE BOX

SCALE 1:1.25	SIZE A	DRAWING NO. 090750	REV A
-----------------	-----------	-----------------------	----------

DO NOT SCALE DRAWING

SHEET 3 OF 3