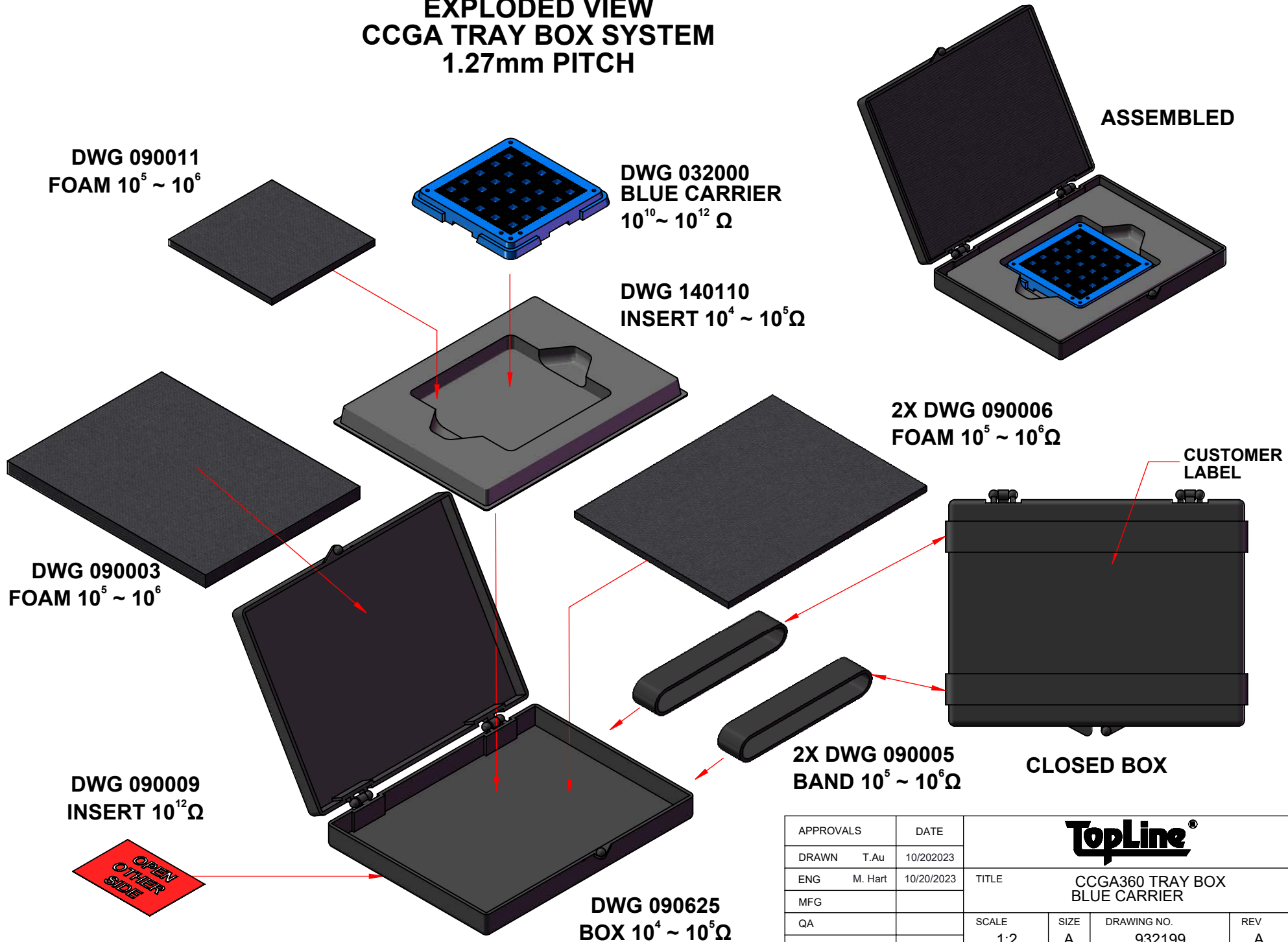
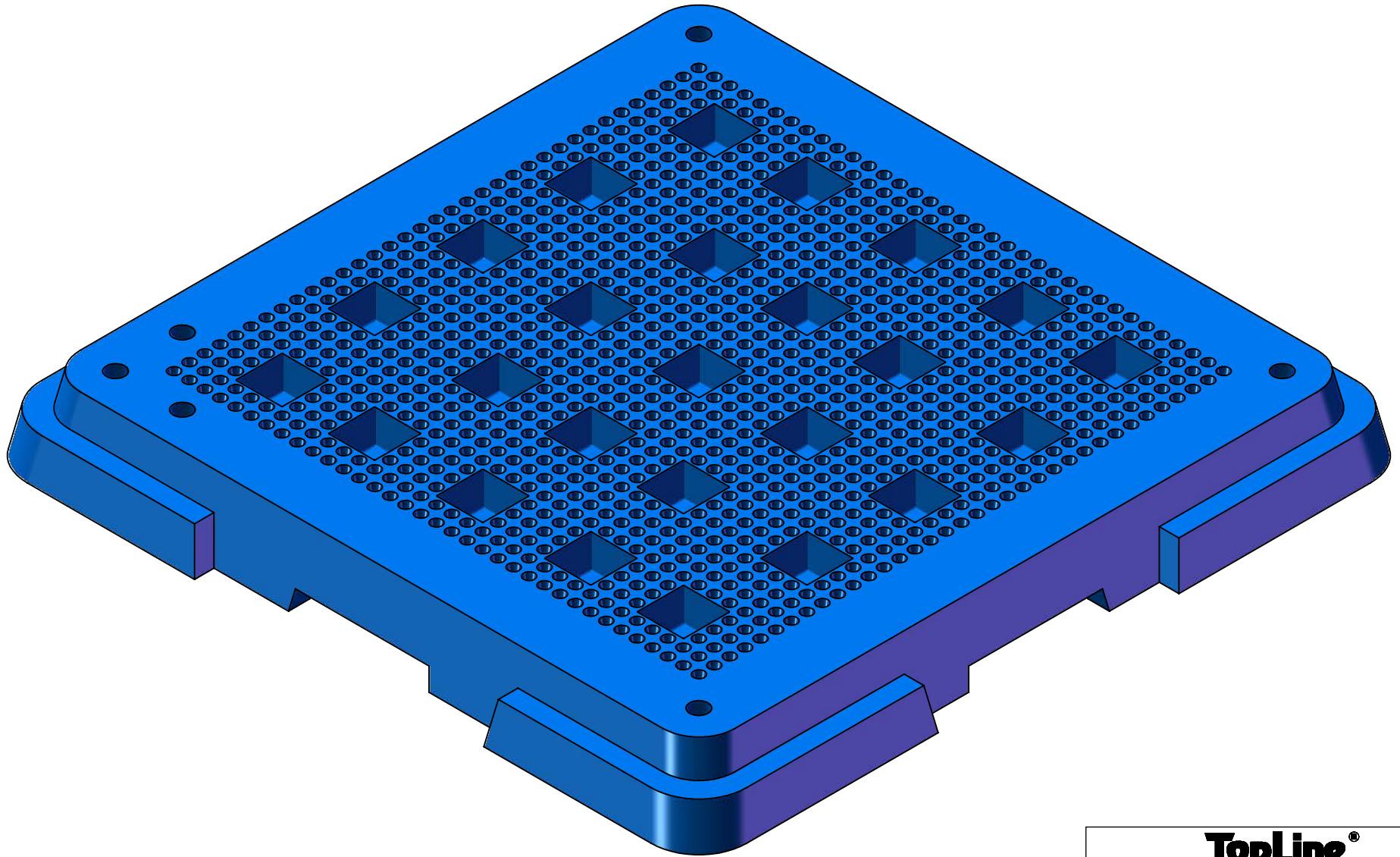


EXPLODED VIEW CCGA TRAY BOX SYSTEM 1.27mm PITCH



APPROVALS	DATE	TopLine®		
DRAWN T. Au	10/202023			
ENG M. Hart	10/20/2023	TITLE CCGA360 TRAY BOX BLUE CARRIER		
MFG		SCALE 1:2	SIZE A	DRAWING NO. 932199
QA				REV A
CUST				
REVISED		DO NOT SCALE DRAWING		SHEET 1 OF 11

MODEL
TOP



TopLine[®]

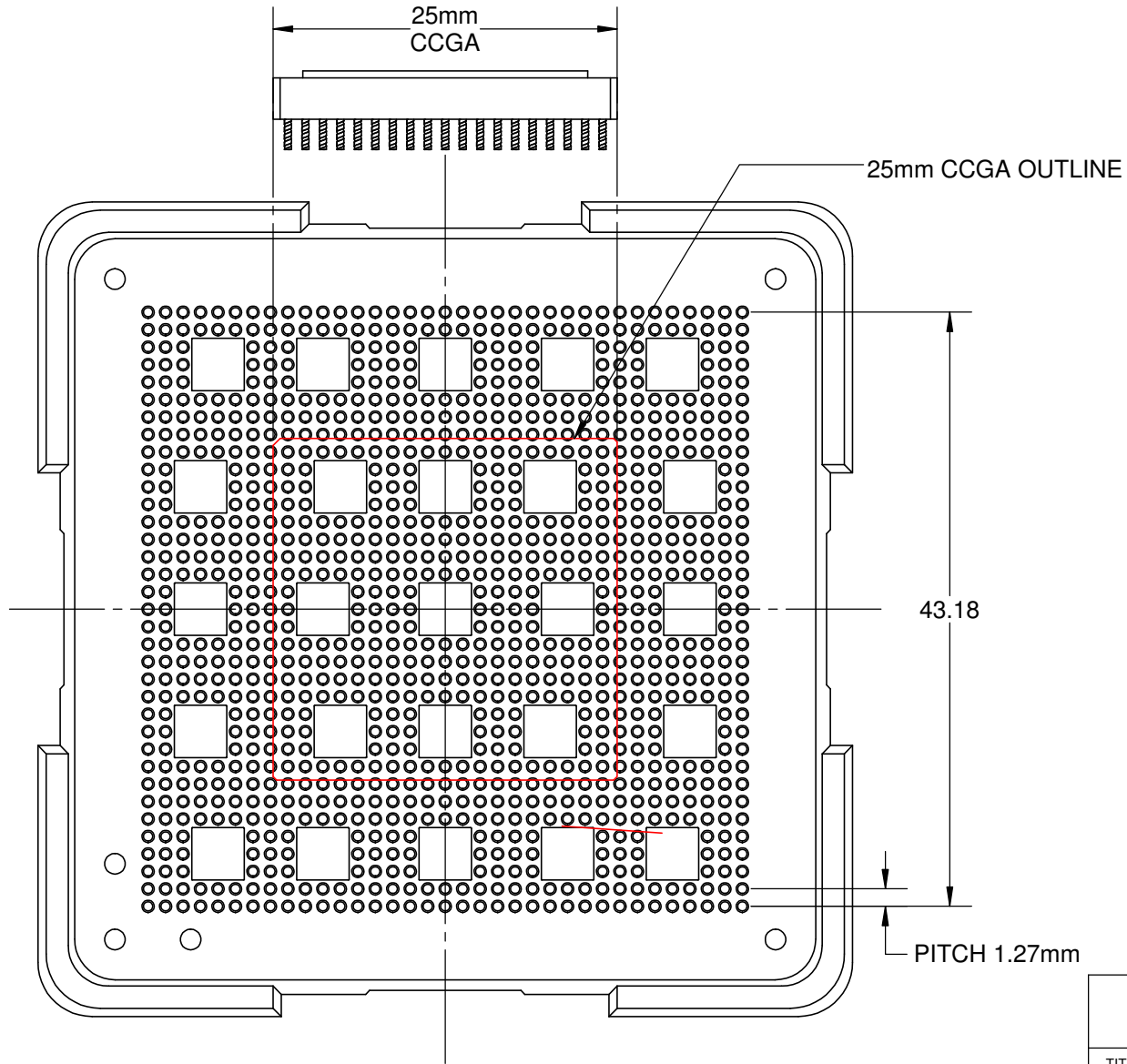
TITLE CCGA360 TRAY BOX
BLUE CARRIER

SCALE 3:1	SIZE A	DRAWING NO. 932199	REV A
--------------	-----------	-----------------------	----------

DO NOT SCALE DRAWING

SHEET 2 OF 11

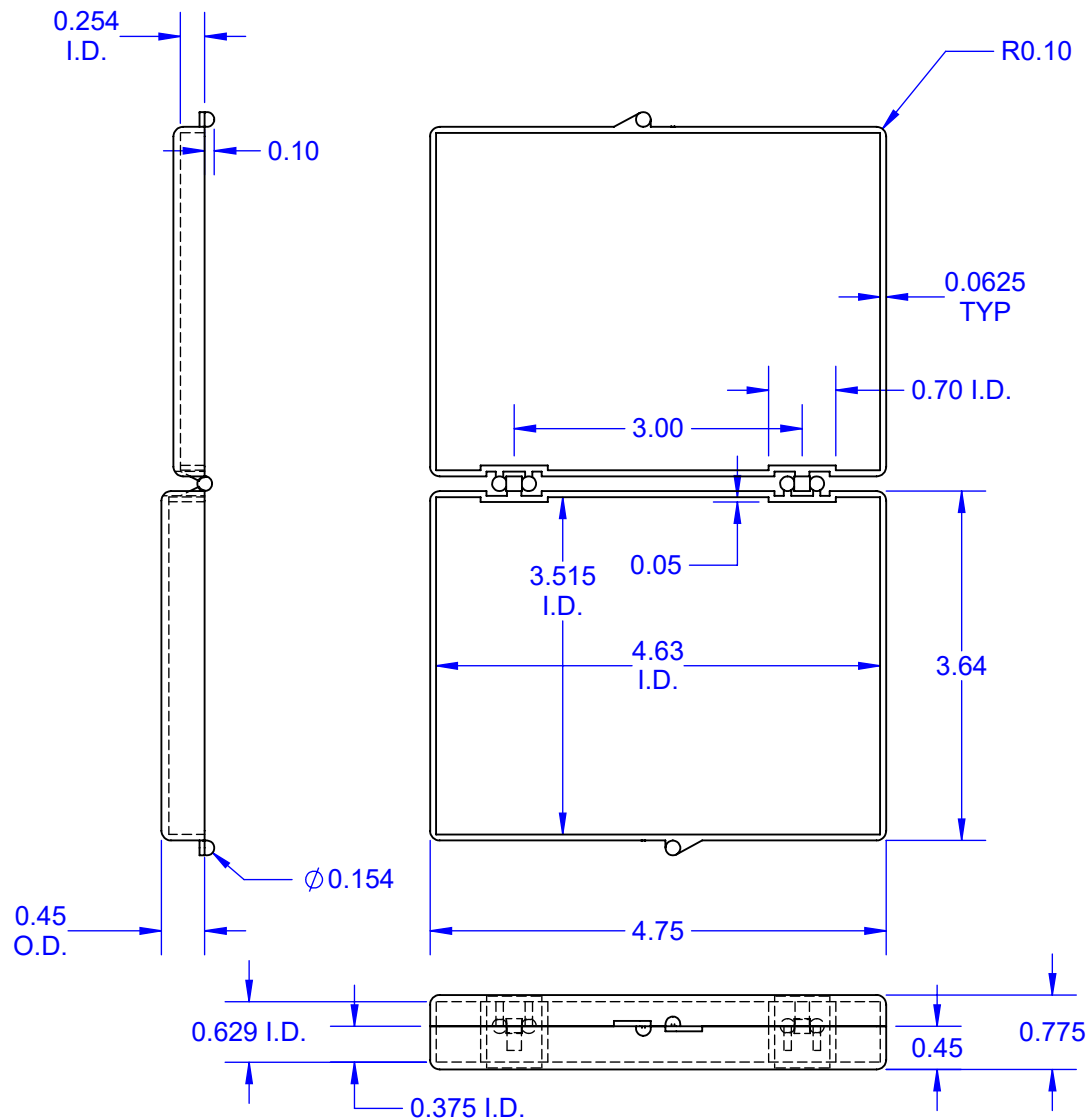
DETAIL D



- NOTES:
 1. DIMENSIONS MM.
 2. NOT TO SCALE

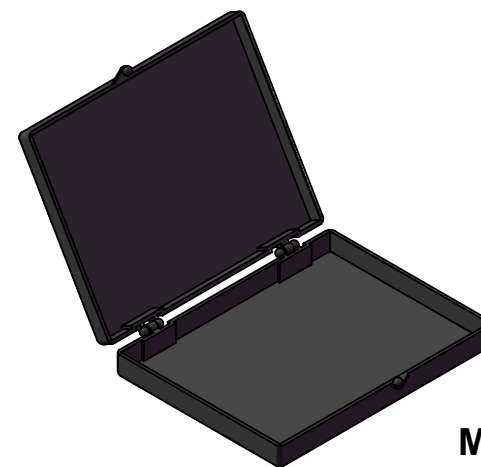
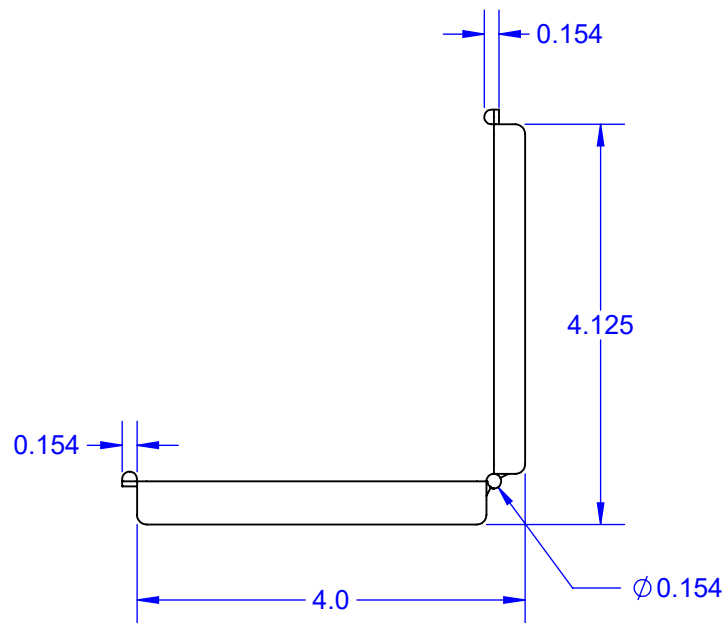
TopLine®			
TITLE		CCGA360 TRAY BOX BLUE CARRIER	
SCALE	SIZE	DRAWING NO.	REV
2:1	A	932199	A
DO NOT SCALE DRAWING			SHEET 4 OF 10

TOP (OPEN)



FRONT (CLOSED)

SIDE VIEW (OPEN)



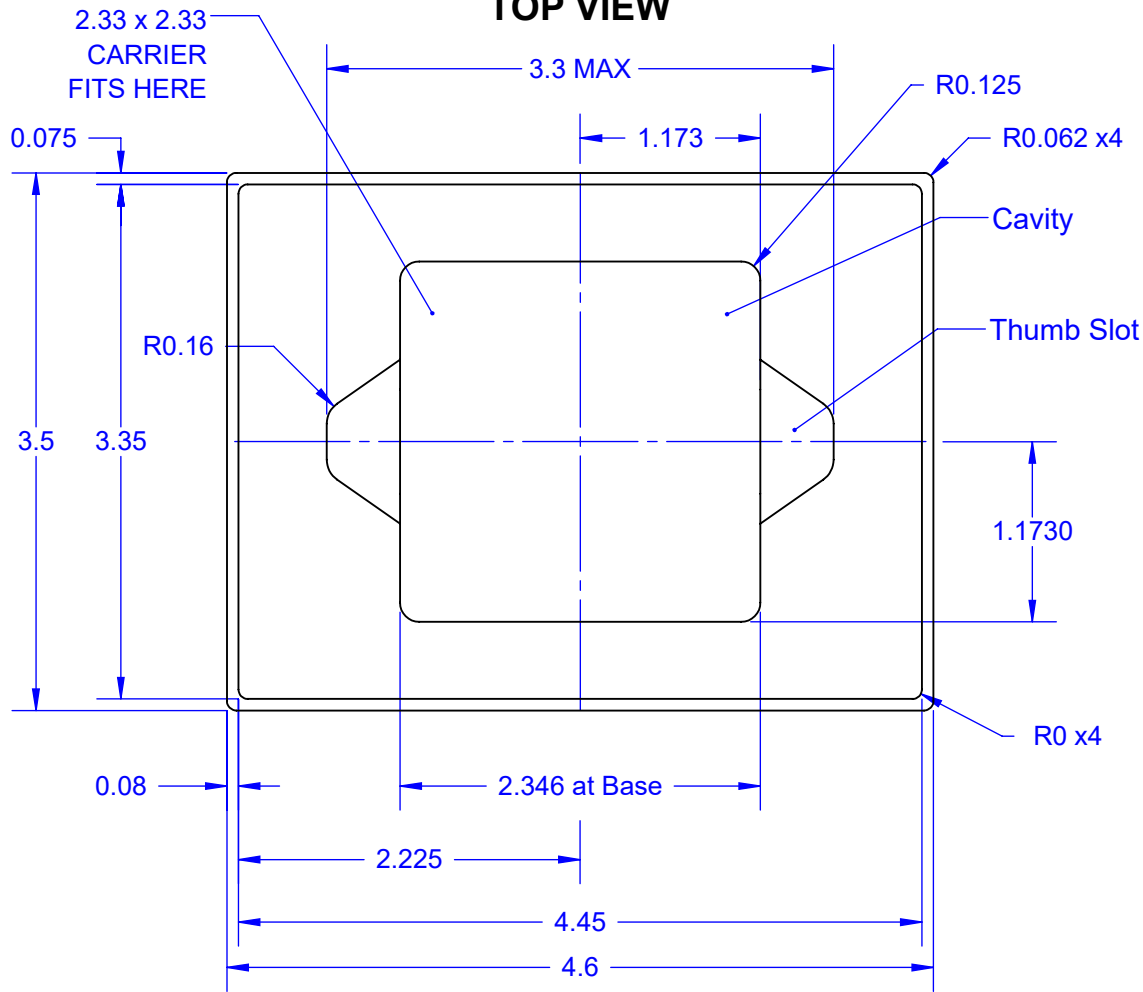
MODEL

Notes: (Unless Otherwise Specified).

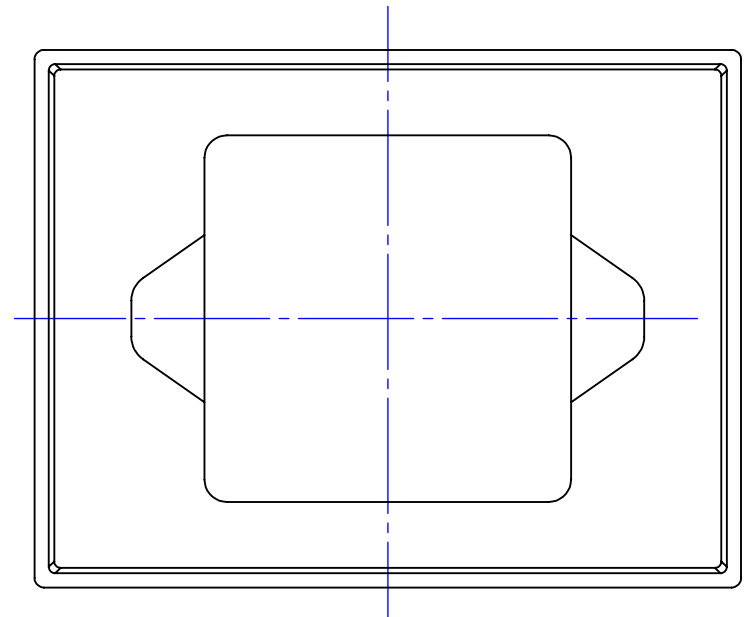
- 1) SURFACE RESISTIVITY: $10^3 \Omega$ TO $10^6 \Omega$ PER SQUARE.
- 2) MATERIAL: CARBON FILLED POLYPROPYLENE.
- 3) DIMENSIONS IN INCHES.

APPROVALS	DATE	TopLine®			
DRAWN T. Au	07/13/2022				
ENG M. Hart	07/13/2022	TITLE EC1-15mm EMPTY HINGE BOX			
MFG		SCALE 1:2	SIZE A	DRAWING NO. 090625	REV A
QA					
CUST		DO NOT SCALE DRAWING			SHEET 5 OF 11
REVISED					

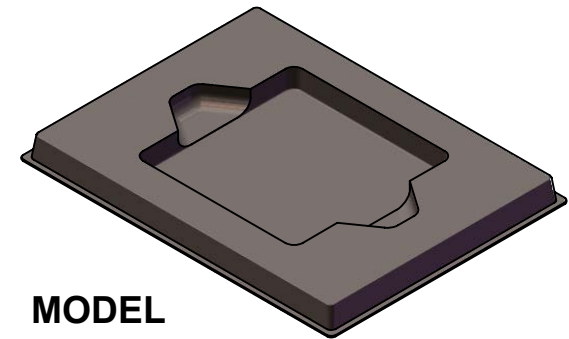
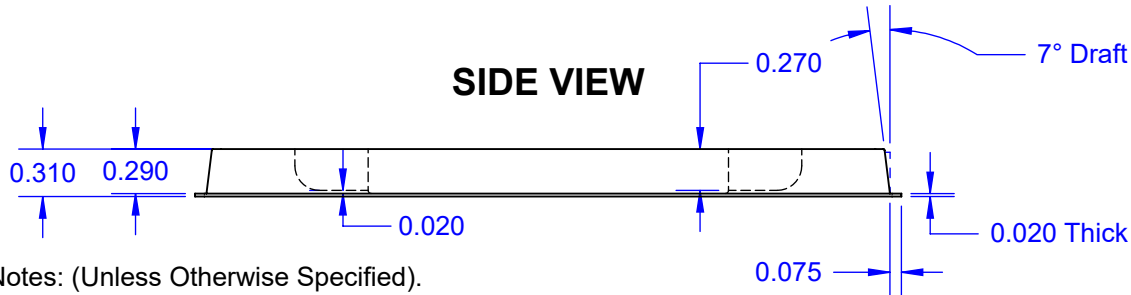
TOP VIEW



BOTTOM VIEW



SIDE VIEW



MODEL

Notes: (Unless Otherwise Specified).

- 1) DIMENSIONS: INCHES.
- 2) MATERIAL: CONDUCTIVE STYRENE.
- 3) SURFACE RESISTIVITY <math>< 10^4 \Omega</math>.

TopLine®

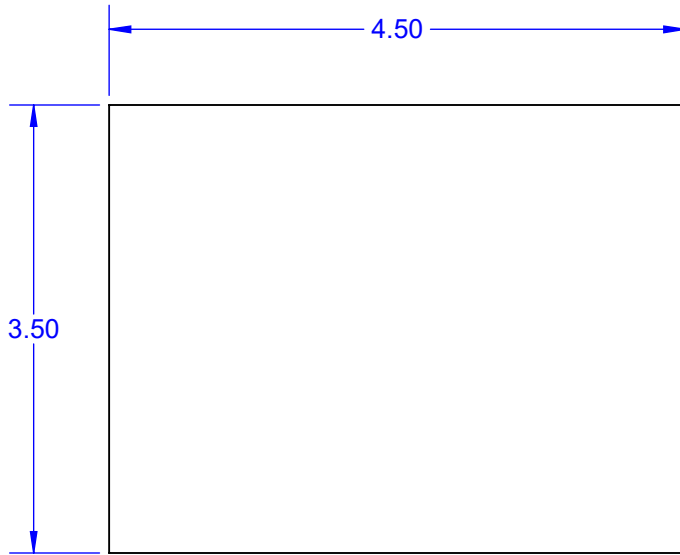
TITLE CCGA TRAY INSERT
FOR 4.625 x 3.5 HINGE BOX

SCALE	SIZE	DRAWING NO.	REV
2:2.5	A	140110	A

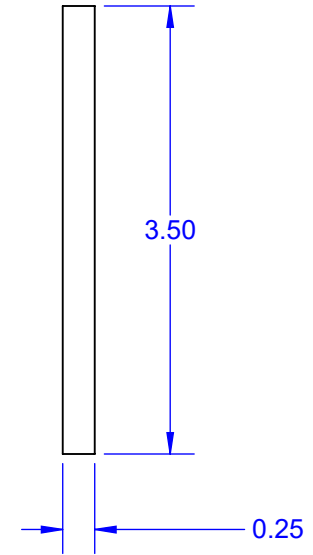
DO NOT SCALE DRAWING

SHEET 6 OF 11

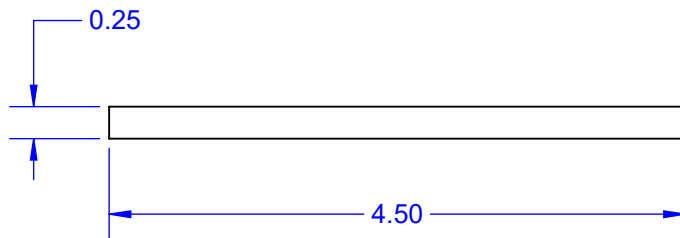
TOP



EDGE



SIDE



Notes: (Unless Otherwise Specified).

1) SURFACE RESISTIVITY: $10^5\Omega$ TO $10^6\Omega$.

3) DENSITY 1.7 PFC Min.

4) DIMENSIONS IN INCHES

TopLine[®]

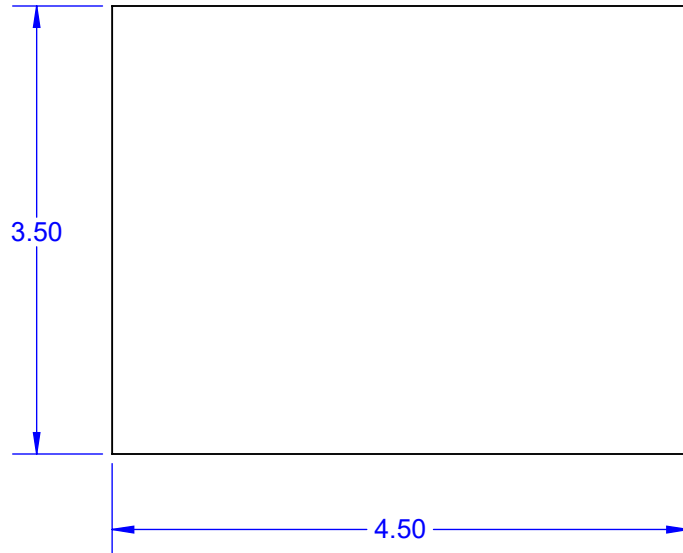
TITLE EC1-FOAM-SOFT-.25-A
LOW DENSITY FOAM

SCALE	SIZE	DRAWING NO.	REV
1:1.5	A	090003	A

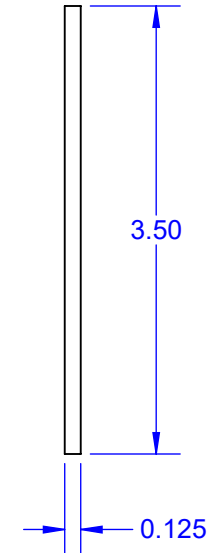
DO NOT SCALE DRAWING

SHEET 7 OF 11

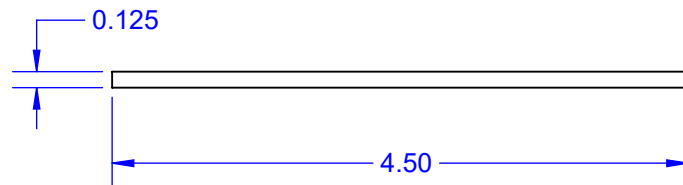
TOP



EDGE



SIDE

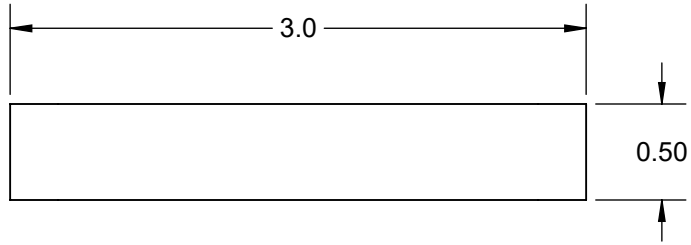


MODEL

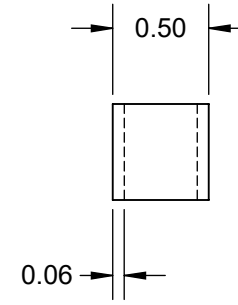
- Notes: (Unless Otherwise Specified).
- 1) SURFACE RESISTIVITY: $10^5 \sim 10^6 \Omega$
 - 3) DENSITY 1.7 PFC Min.
 - 4) DIMENSIONS IN INCHES.

TopLine[®]			
TITLE EC1-FOAM-SOFT-.125-A LOW DENSITY FOAM			
SCALE 1:1.5	SIZE A	DRAWING NO. 090006	REV A
DO NOT SCALE DRAWING			SHEET 8 OF 11

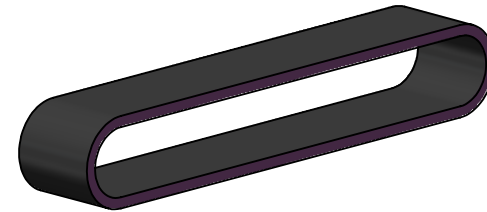
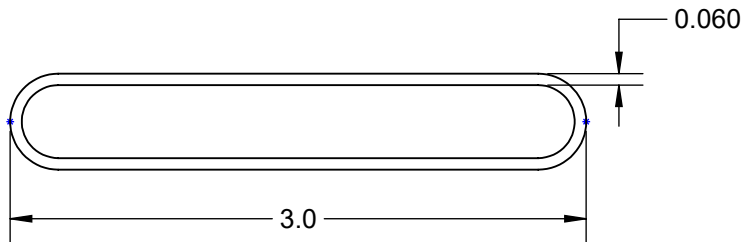
TOP



EDGE



SIDE



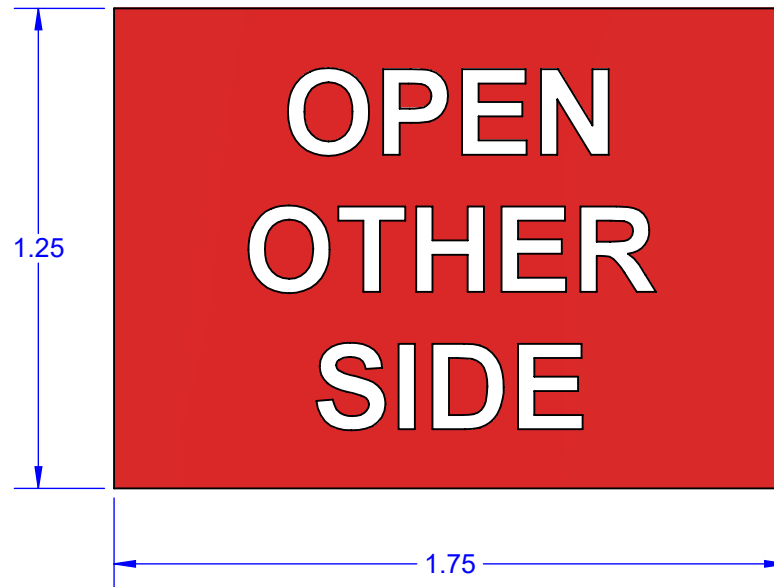
MODEL

Notes: (Unless Otherwise Specified).

1) SURFACE RESISTIVITY: $10^3 \Omega$ TO $10^6 \Omega$.

2) DIMENSIONS in INCHES (RESTING POSITION).

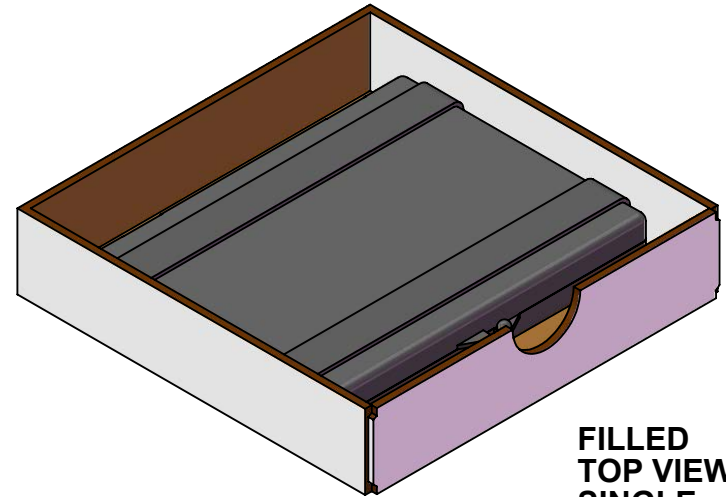
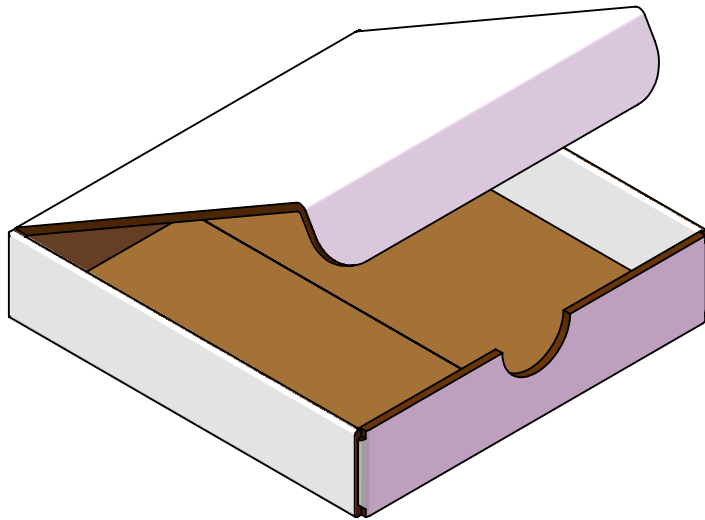
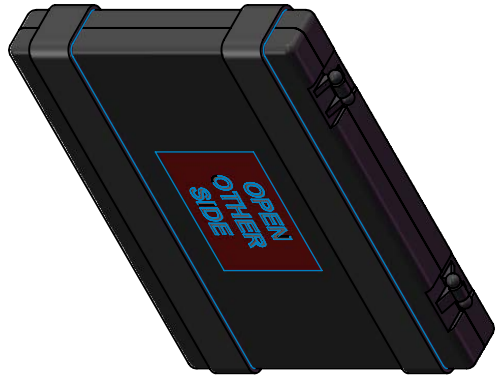
TopLine[®]			
TITLE		RUBBER BAND-3.0-C BLACK CONDUCTIVE	
SCALE	SIZE	DRAWING NO.	REV
1:1	A	090005	A
DO NOT SCALE DRAWING			SHEET 9 OF 11



Notes: (Unless Otherwise Specified).

1. DIMENSIONS IN INCHES.
2. MATERIAL: PAPER LABEL WITH ADHESIVE.
3. COLOR: RED.
4. PURPOSE: IDENTIFY BOTTOM OF HINGE BOX.

TopLine[®]			
TITLE		LABEL FOR BOTTOM OF HINGE BOX	
SCALE	SIZE	DRAWING NO.	REV
2:1	A	090009	A
DO NOT SCALE DRAWING			SHEET 10 OF 11



**FILLED
TOP VIEW
SINGLE**

NOTES: (Unless Otherwise Specified).

1. DIMENSIONS INCHES.
2. MEASUREMENT INCLUDES RUBBER BANDS.
3. BOX SIZE SUBJECT TO CHANGE.

TopLine®

TITLE CCGA TRAY BOX CARRIER
CARTON

SCALE 1:2	SIZE A	DRAWING NO. 900001	REV A
--------------	-----------	-----------------------	----------

DO NOT SCALE DRAWING

SHEET 11 OF 11