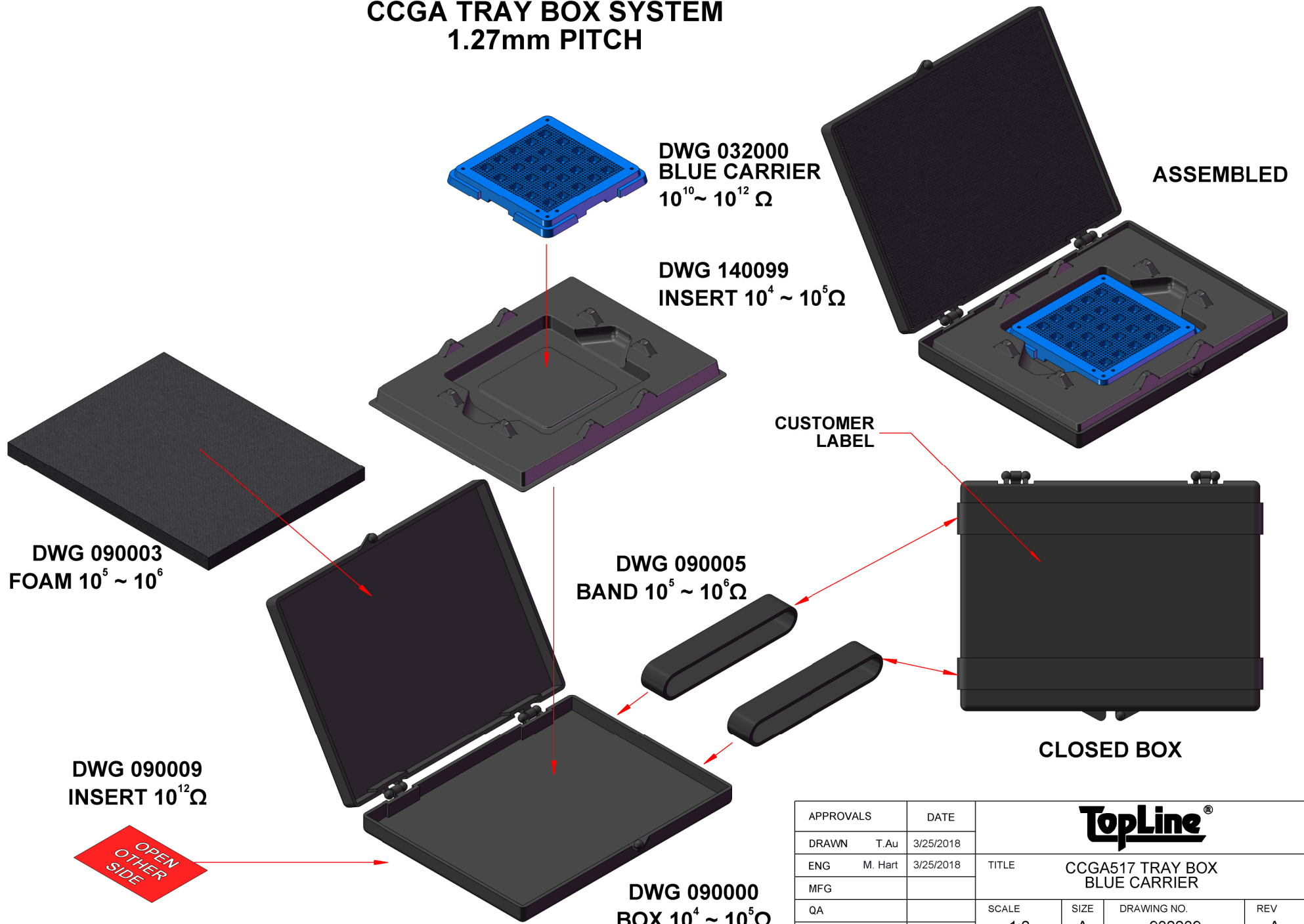
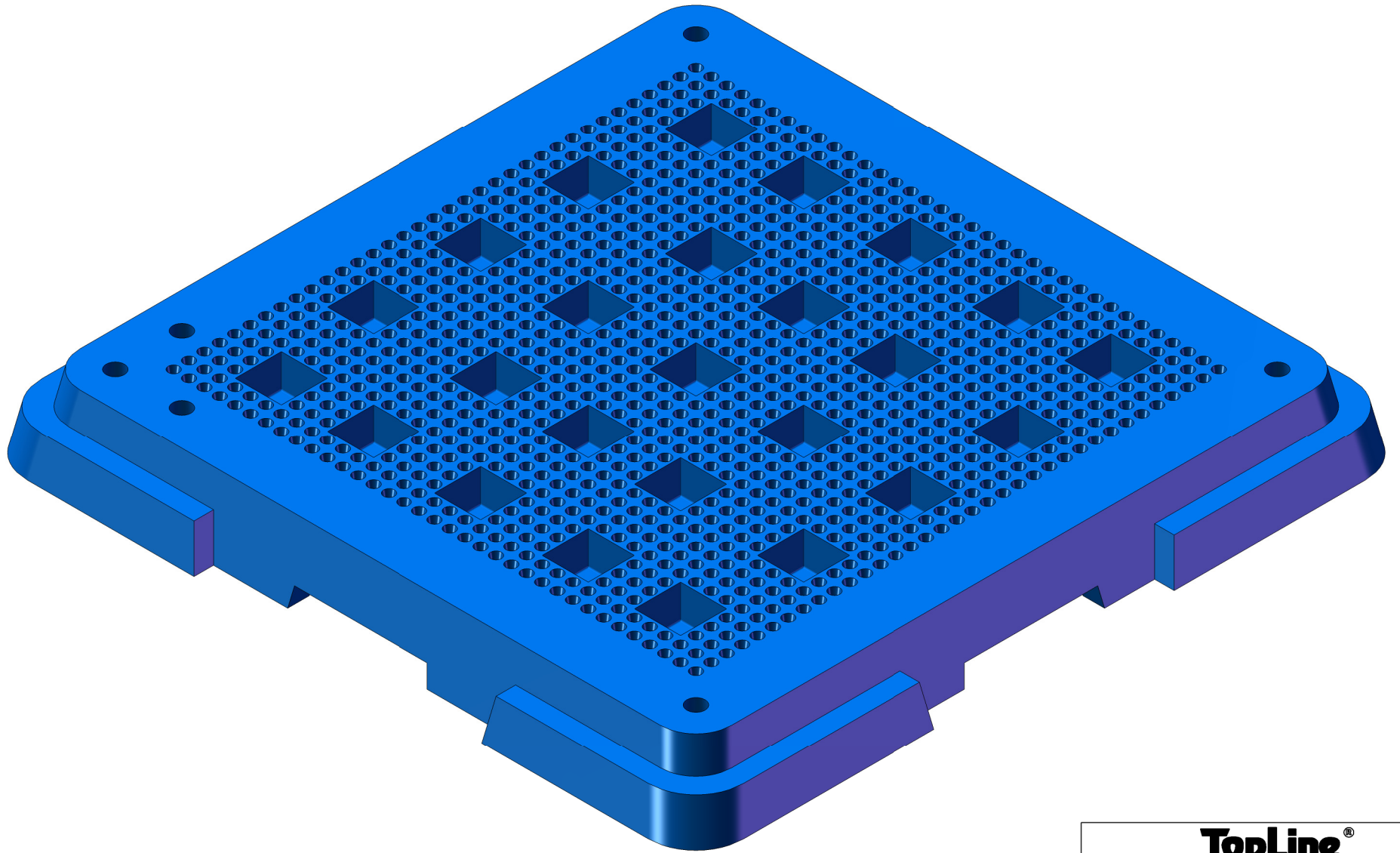


EXPLODED VIEW CCGA TRAY BOX SYSTEM 1.27mm PITCH



| | | | | |
|-------------|-----------|--|------|---------------|
| APPROVALS | DATE | TopLine® | | |
| DRAWN T. Au | 3/25/2018 | | | |
| ENG M. Hart | 3/25/2018 | TITLE CCGA517 TRAY BOX BLUE CARRIER | | |
| MFG | | SCALE | SIZE | DRAWING NO. |
| QA | | 1:2 | A | 932239 |
| CUST | | | | REV A |
| REVISED | | DO NOT SCALE DRAWING | | SHEET 1 OF 10 |

MODEL
TOP

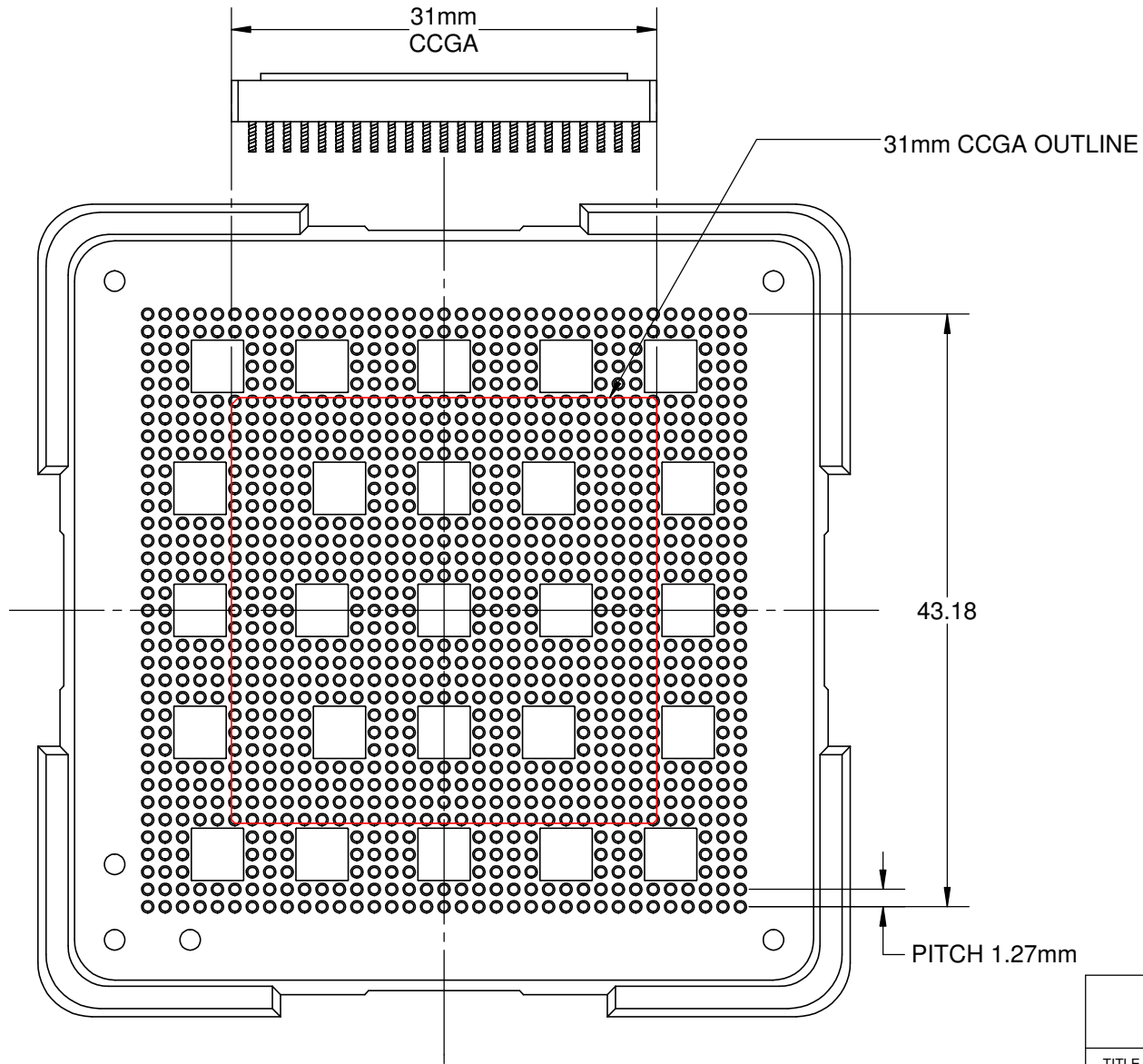


TopLine[®]

TITLE CCGA517 TRAY BOX
BLUE CARRIER

| | | | |
|--------------|-----------|-----------------------|----------|
| SCALE 3:1 | SIZE A | DRAWING NO. 932239 | REV A |
|--------------|-----------|-----------------------|----------|

DETAIL D

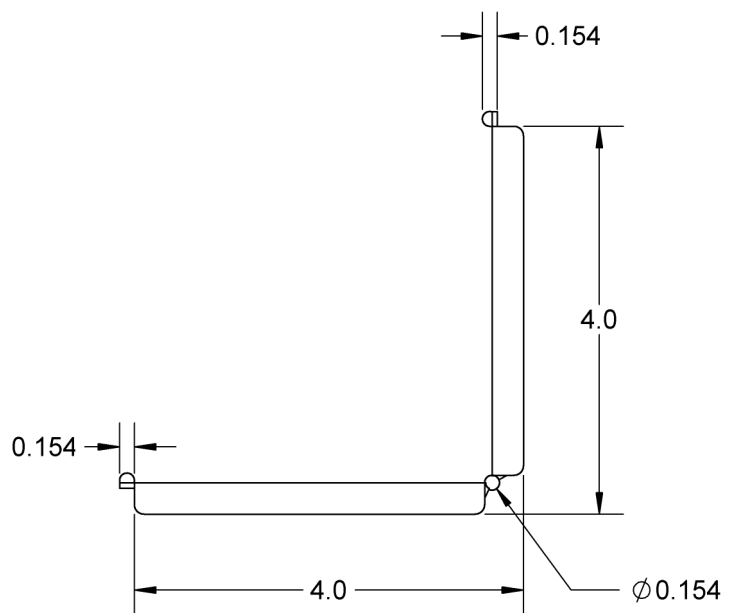
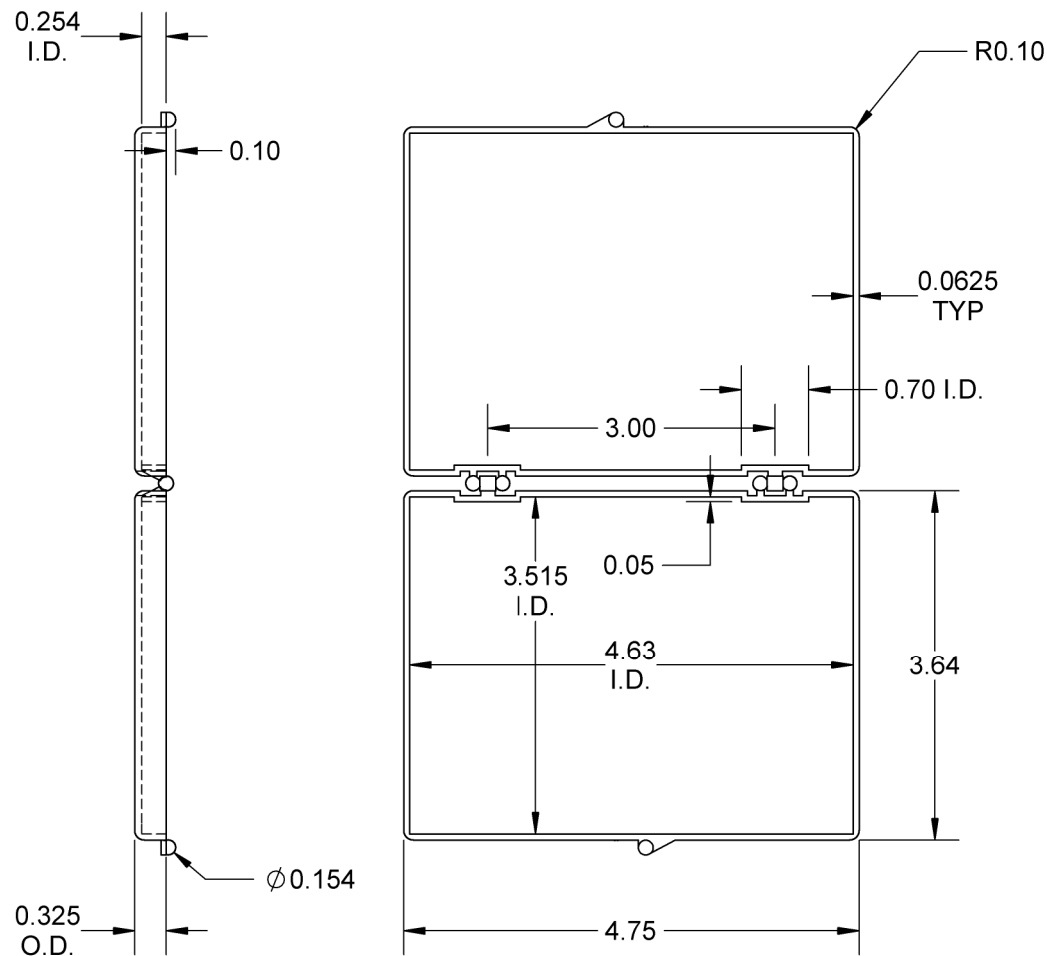


- NOTES:
 1. DIMENSIONS MM.
 2. NOT TO SCALE

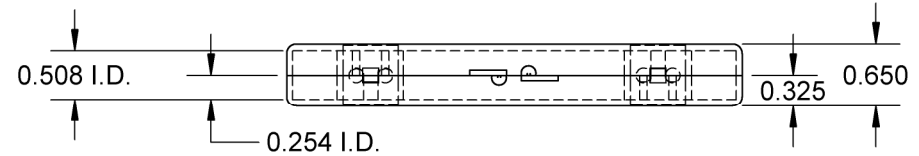
| | | | |
|----------------------|------|----------------------------------|---------------|
| TopLine® | | | |
| TITLE | | CCGA517 TRAY BOX BLUE CARRIER | |
| SCALE | SIZE | DRAWING NO. | REV |
| 2:1 | A | 932239 | A |
| DO NOT SCALE DRAWING | | | SHEET 4 OF 10 |

TOP (OPEN)

SIDE VIEW (OPEN)



MODEL

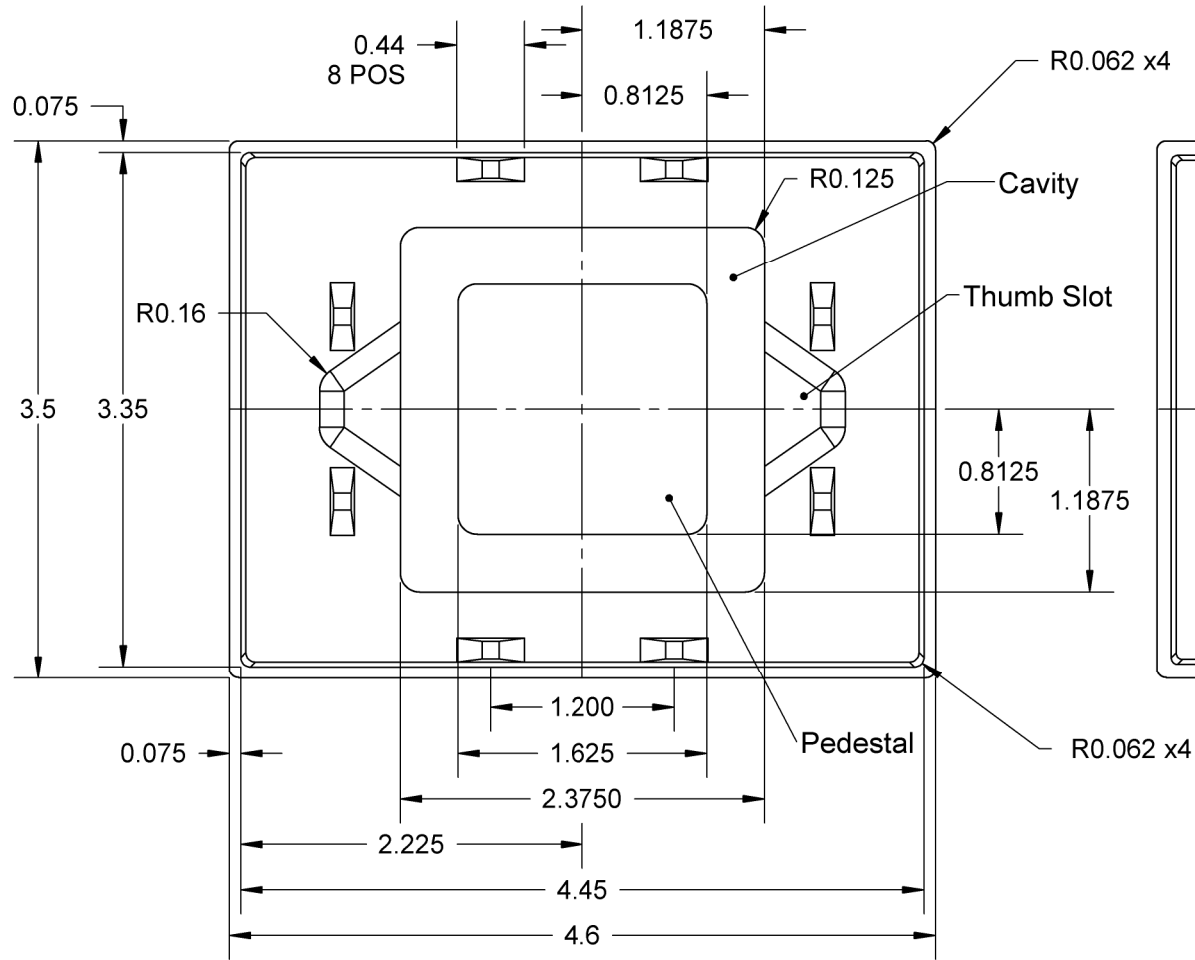


FRONT (CLOSED)

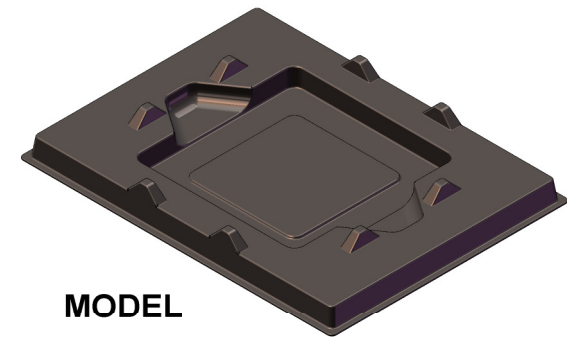
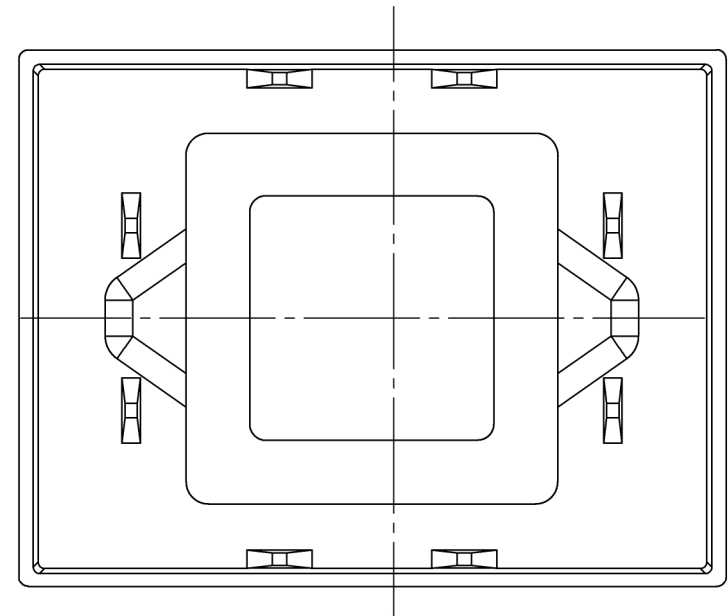
- Notes: (Unless Otherwise Specified).
 1) SURFACE RESISTIVITY: $10^4 \sim 10^5 \Omega$.
 2) MATERIAL: CARBON FILLED POLYPROPYLENE.
 3) DIMENSIONS IN INCHES.

| | | | |
|----------------------|------|------------------------------|---------------|
| TopLine® | | | |
| TITLE | | EC1 (EMPTY BOX) HINGE BOX | |
| SCALE | SIZE | DRAWING NO. | REV |
| 1:2 | A | 090000 | A |
| DO NOT SCALE DRAWING | | | SHEET 5 OF 10 |

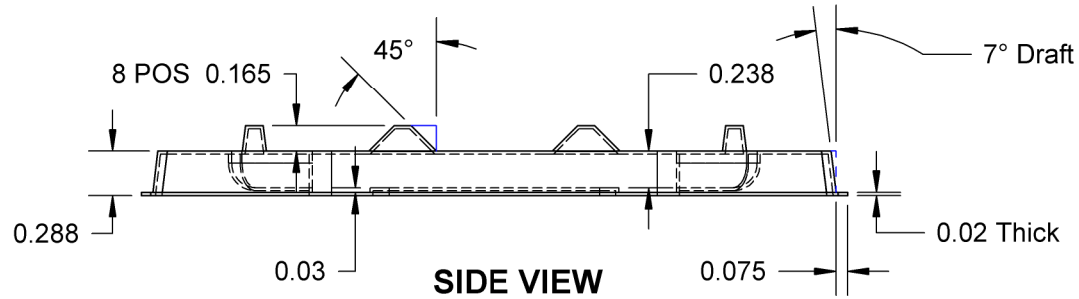
TOP VIEW



BOTTOM VIEW



MODEL

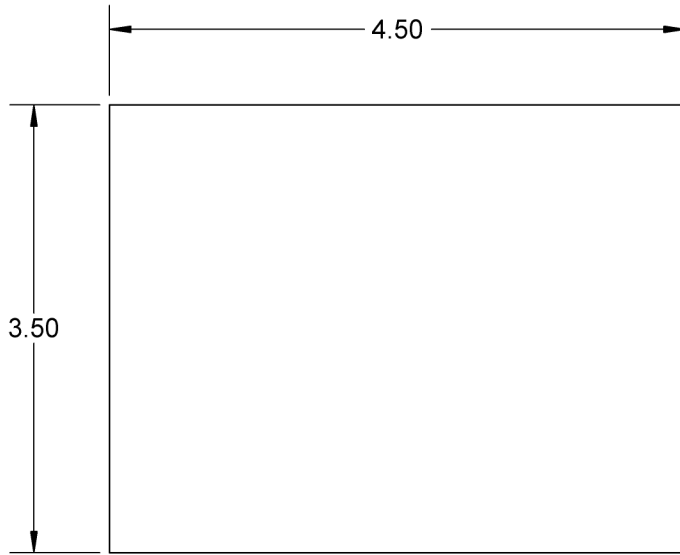


SIDE VIEW

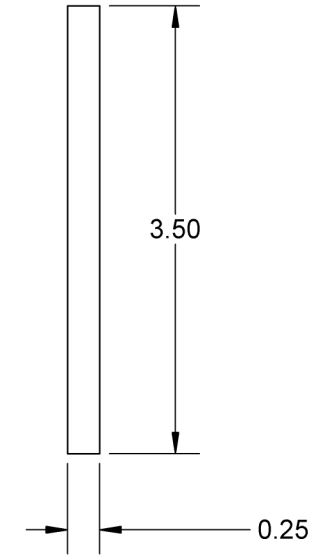
- Notes:
 1. DIMENSIONS IN INCHES.
 2. SURFACE RESISTIVITY: $10^4 \sim 10^5 \Omega$.

| | | | |
|---|------|-------------|---------------|
| TopLine® | | | |
| TITLE CCGA TRAY INSERT FOR 4.625 x 3.5 HINGE BOX | | | |
| SCALE | SIZE | DRAWING NO. | REV |
| 2:2.5 | A | 140099 | A |
| DO NOT SCALE DRAWING | | | SHEET 6 OF 10 |

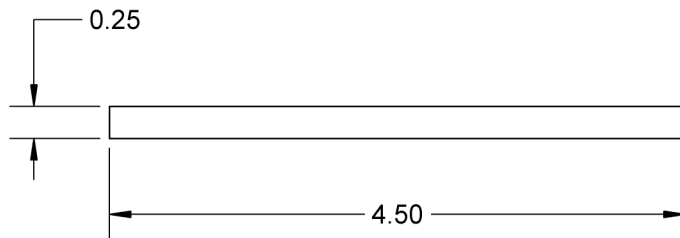
TOP



EDGE



SIDE



MODEL

Notes: (Unless Otherwise Specified).

- 1) SURFACE RESISTIVITY: $10^5\Omega$ TO $10^6\Omega$.
- 3) DENSITY 1.7 PFC Min.
- 4) DIMENSIONS IN INCHES

TopLine[®]

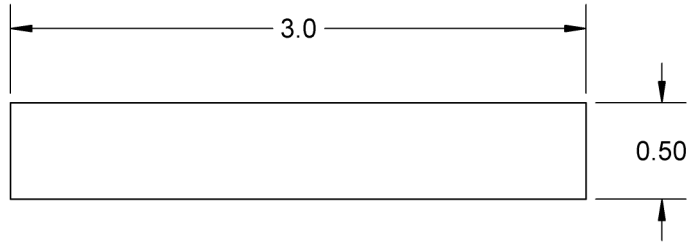
TITLE EC1-FOAM-SOFT-.25-A
LOW DENSITY FOAM

| | | | |
|----------------|-----------|-----------------------|----------|
| SCALE 1:1.5 | SIZE A | DRAWING NO. 090003 | REV A |
|----------------|-----------|-----------------------|----------|

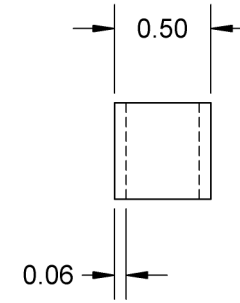
DO NOT SCALE DRAWING

SHEET 7 OF 10

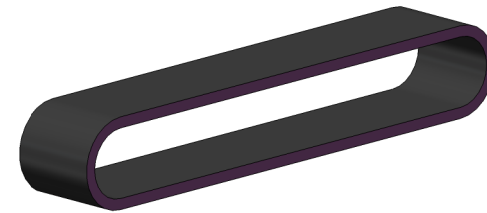
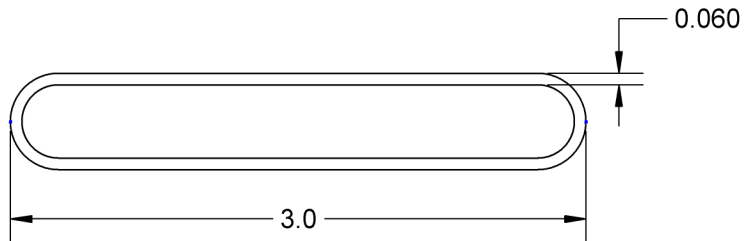
TOP



EDGE



SIDE



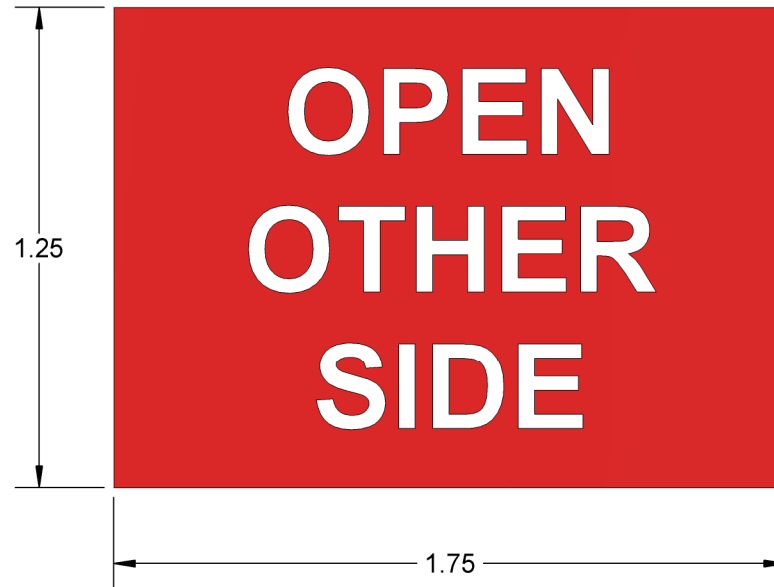
MODEL

Notes: (Unless Otherwise Specified).

1) SURFACE RESISTIVITY: $10^3 \Omega$ TO $10^6 \Omega$.

2) DIMENSIONS in INCHES (RESTING POSITION).

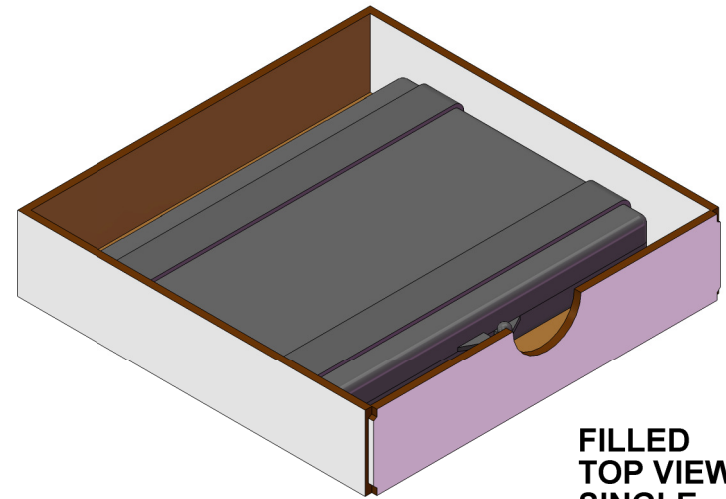
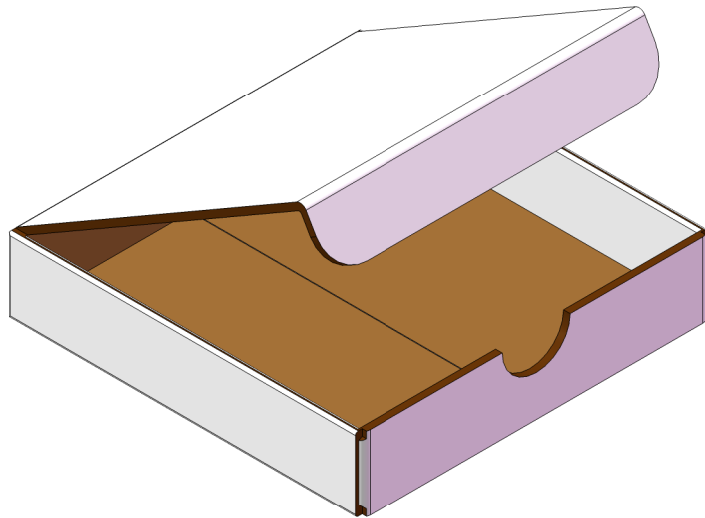
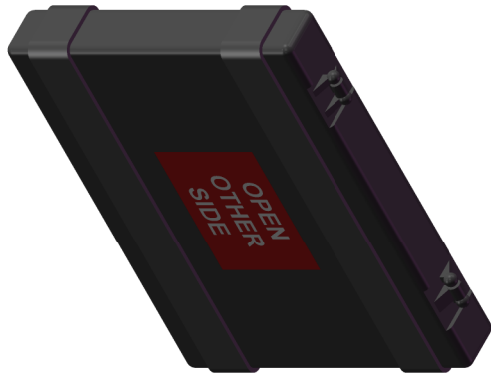
| | | | |
|----------------------------|------|---------------------------------------|---------------|
| TopLine[®] | | | |
| TITLE | | RUBBER BAND-3.0-C BLACK CONDUCTIVE | |
| SCALE | SIZE | DRAWING NO. | REV |
| 1:1 | A | 090005 | A |
| DO NOT SCALE DRAWING | | | SHEET 8 OF 10 |



Notes: (Unless Otherwise Specified).

1. DIMENSIONS INCHES.
2. MATERIAL: PAPER LABEL WITH ADHESIVE.
3. COLOR: RED.
4. PURPOSE: IDENTIFY BOTTOM OF HINGE BOX.

| | | | |
|----------------------------|------|----------------------------------|---------------|
| TopLine[®] | | | |
| TITLE | | LABEL FOR BOTTOM OF HINGE BOX | |
| SCALE | SIZE | DRAWING NO. | REV |
| 2:1 | A | 090009 | A |
| DO NOT SCALE DRAWING | | | SHEET 9 OF 10 |



FILLED
TOP VIEW
SINGLE

NOTES: (Unless Otherwise Specified).

1. DIMENSIONS INCHES.
2. MEASUREMENT INCLUDES RUBBER BANDS.
3. BOX SIZE SUBJECT TO CHANGE.

TopLine[®]

TITLE CCGA TRAY BOX CARRIER
CARTON

| | | | |
|--------------|-----------|-----------------------|----------|
| SCALE 1:2 | SIZE A | DRAWING NO. 900001 | REV A |
|--------------|-----------|-----------------------|----------|

DO NOT SCALE DRAWING

SHEET 10 OF 10