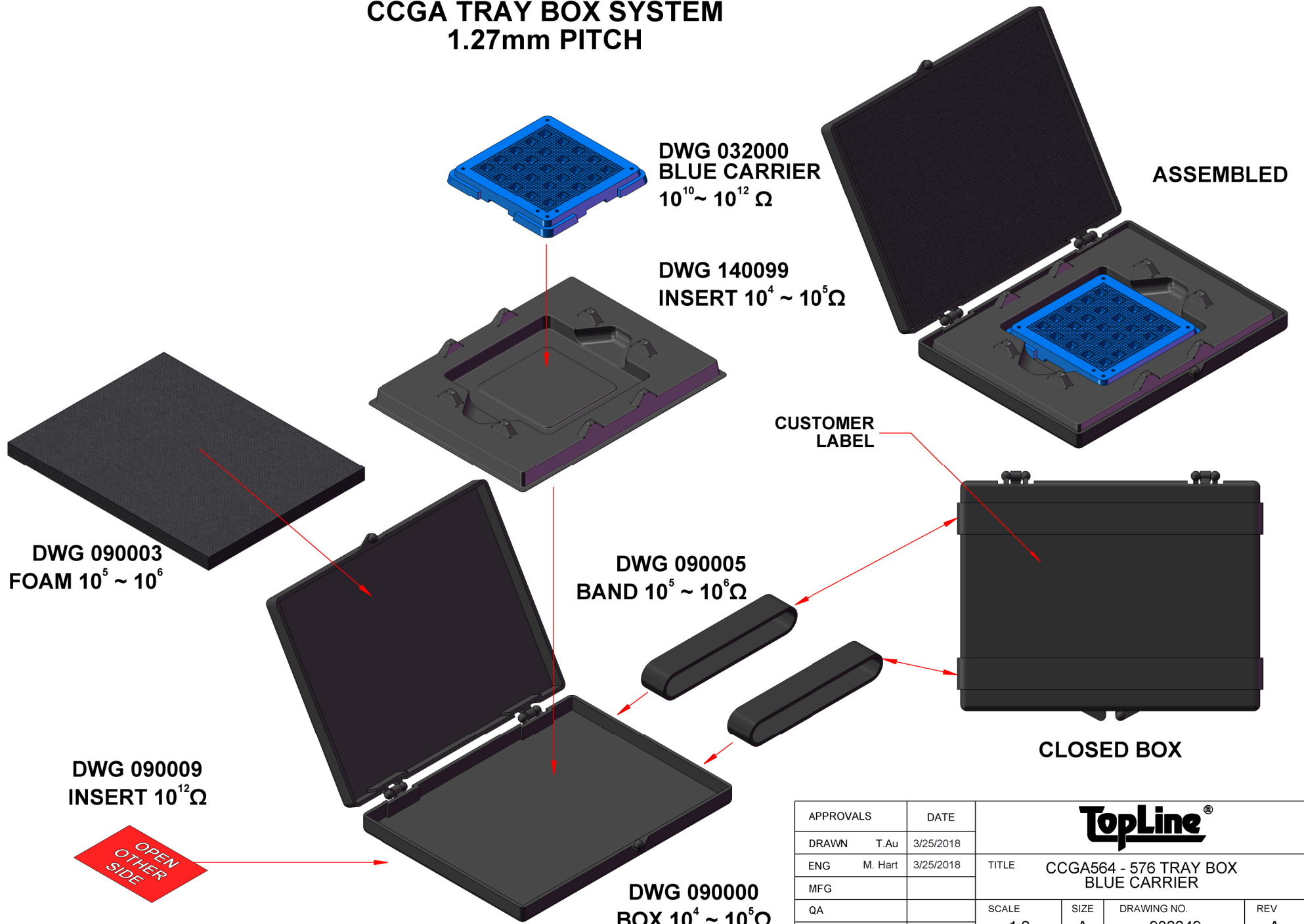
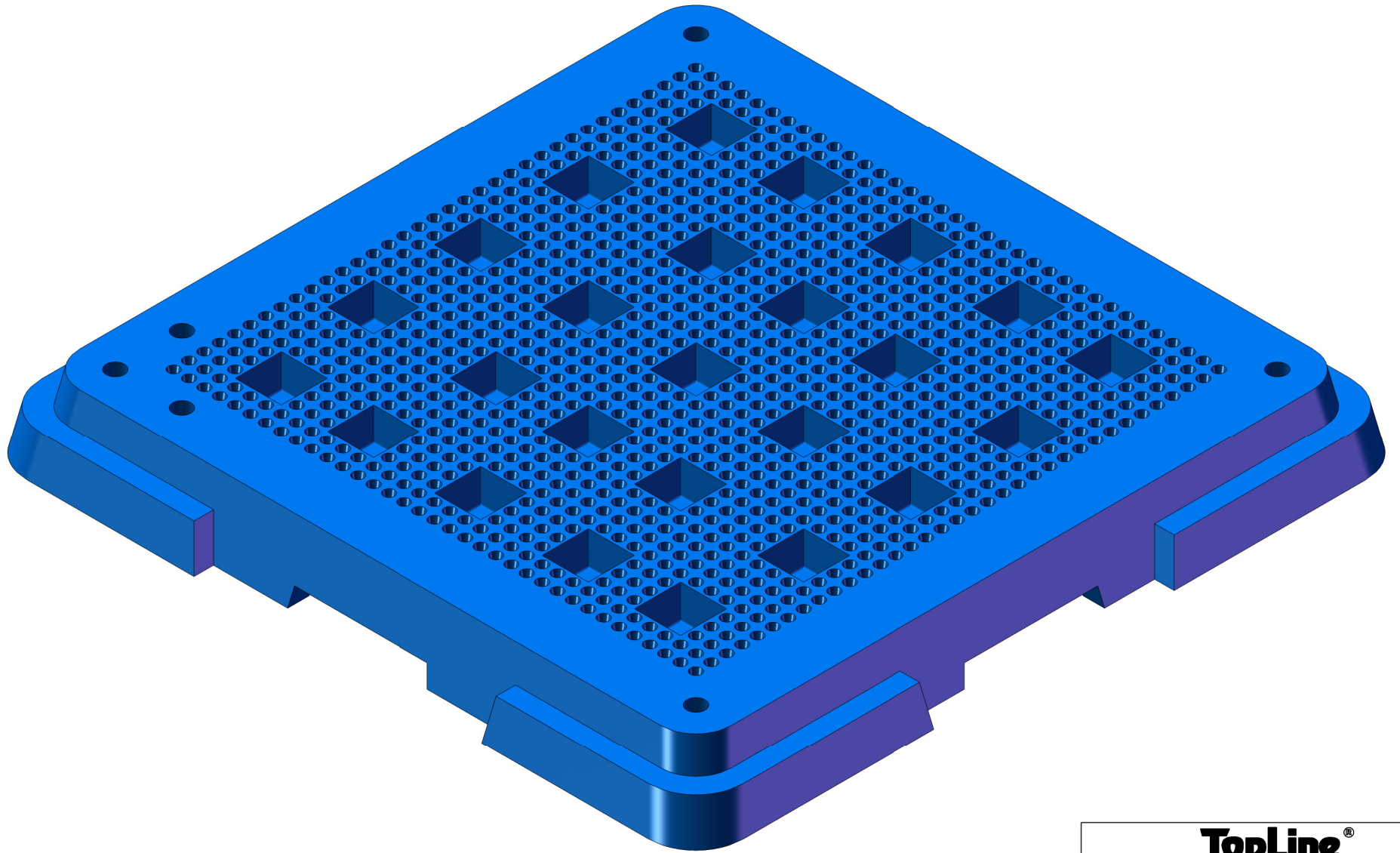


EXPLODED VIEW CCGA TRAY BOX SYSTEM 1.27mm PITCH



APPROVALS	DATE	TopLine®			
DRAWN T. Au	3/25/2018				
ENG M. Hart	3/25/2018	TITLE CCGA564 - 576 TRAY BOX BLUE CARRIER			
MFG		SCALE	SIZE	DRAWING NO.	REV
QA		1:2	A	932249	A
CUST		DO NOT SCALE DRAWING			SHEET 1 OF 10
REVISED					

MODEL
TOP



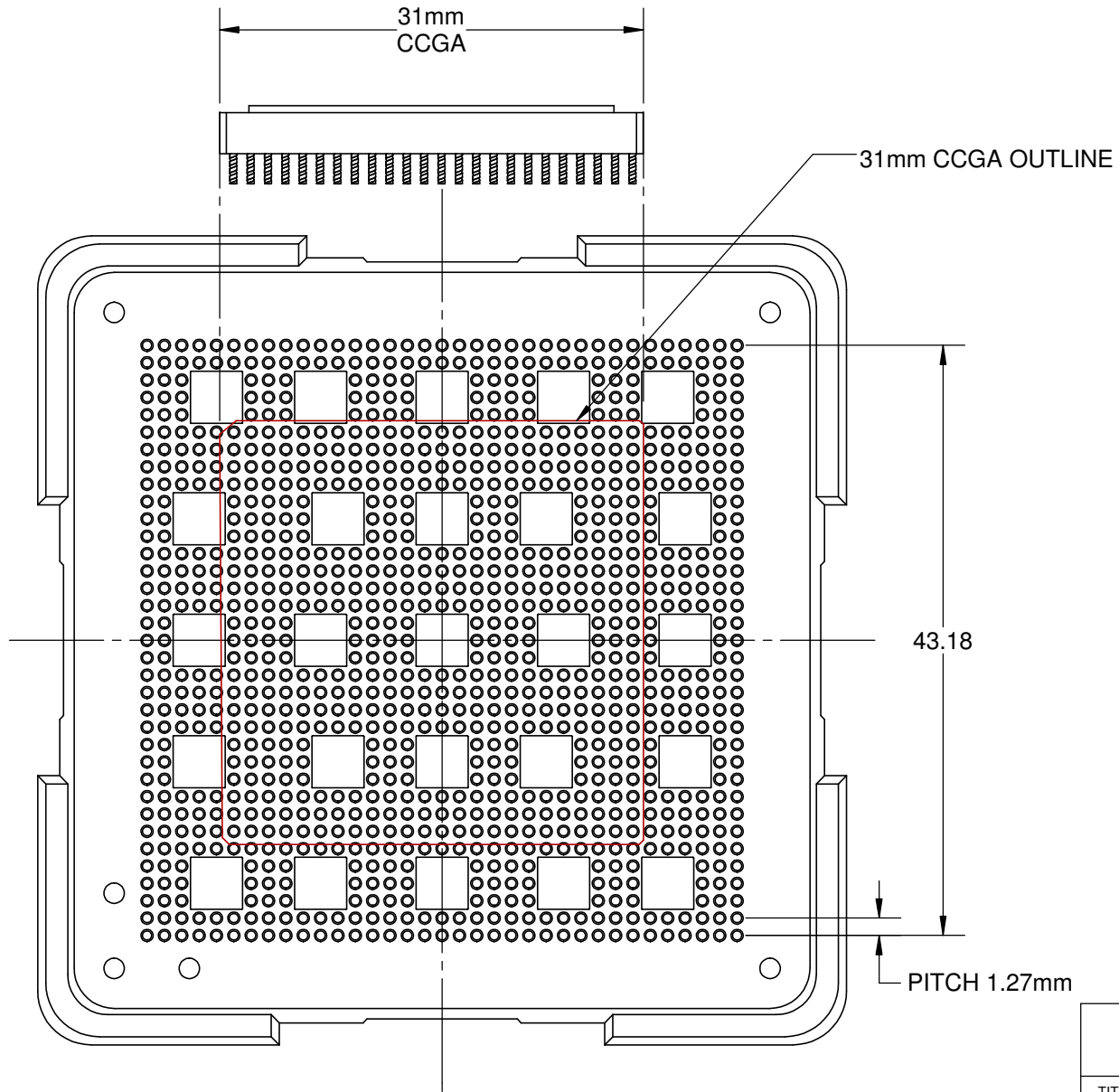
TopLine[®]

TITLE CCGA564 - 576 TRAY BOX
BLUE CARRIER

SCALE 3:1	SIZE A	DRAWING NO. 932249	REV A
--------------	-----------	-----------------------	----------

DO NOT SCALE DRAWING SHEET 2 OF 10

DETAIL D

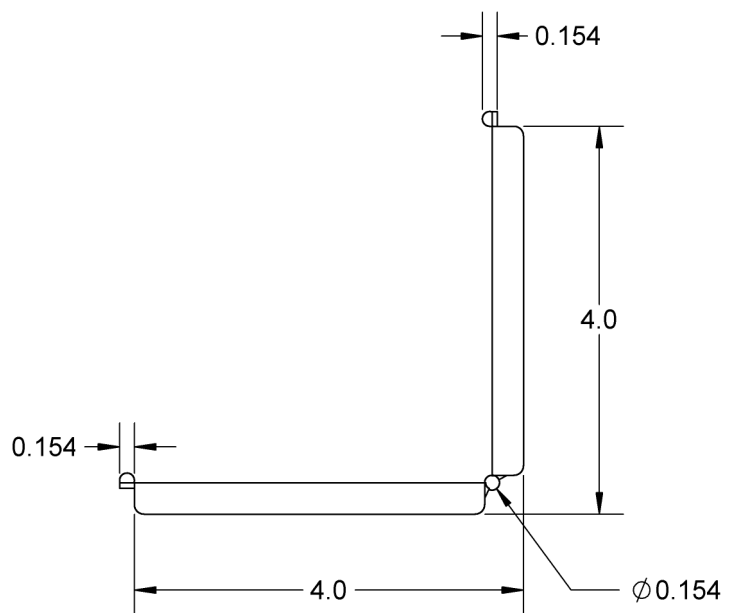
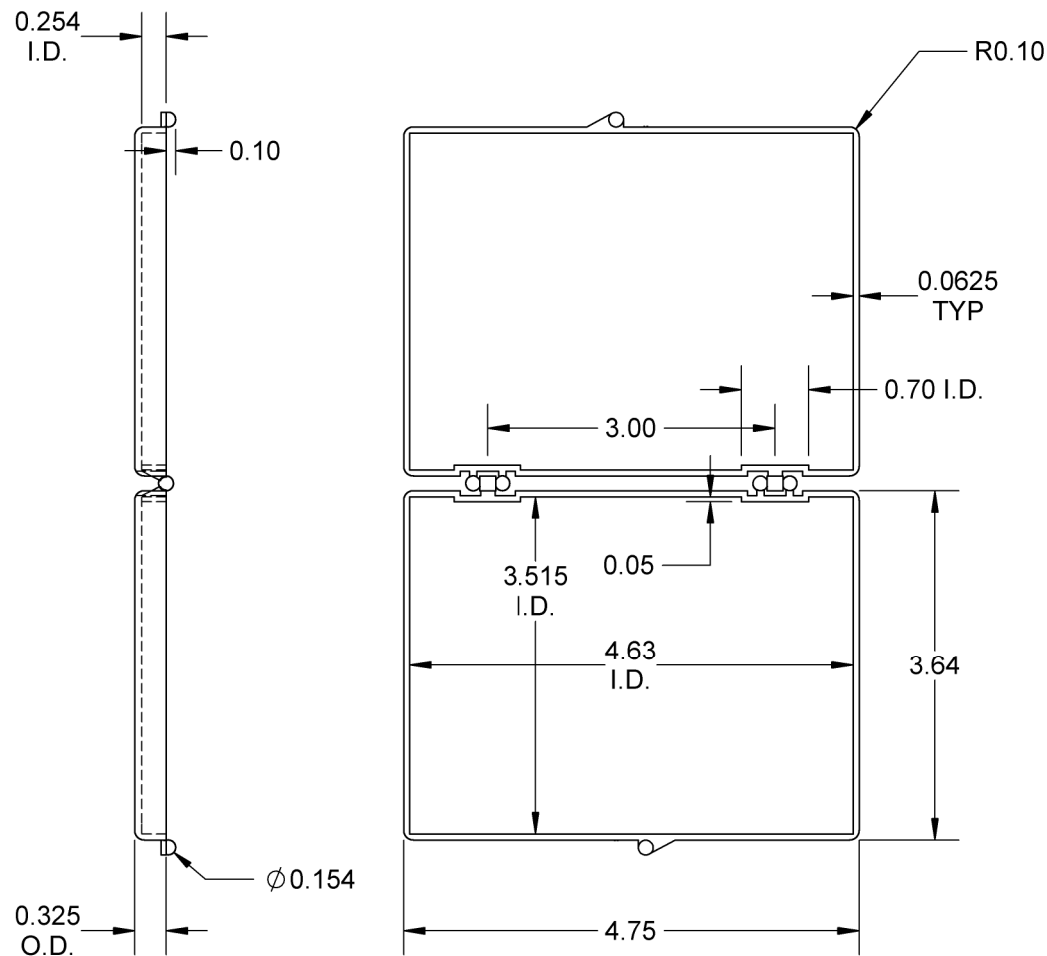


- NOTES:
 1. DIMENSIONS MM.
 2. NOT TO SCALE

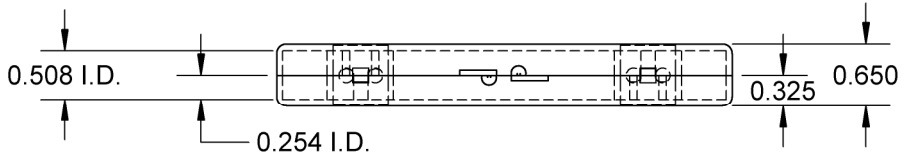
TopLine®			
TITLE CCGA564 - 576 TRAY BOX BLUE CARRIER			
SCALE 2:1	SIZE A	DRAWING NO. 932249	REV A
DO NOT SCALE DRAWING			SHEET 4 OF 10

TOP (OPEN)

SIDE VIEW (OPEN)



MODEL

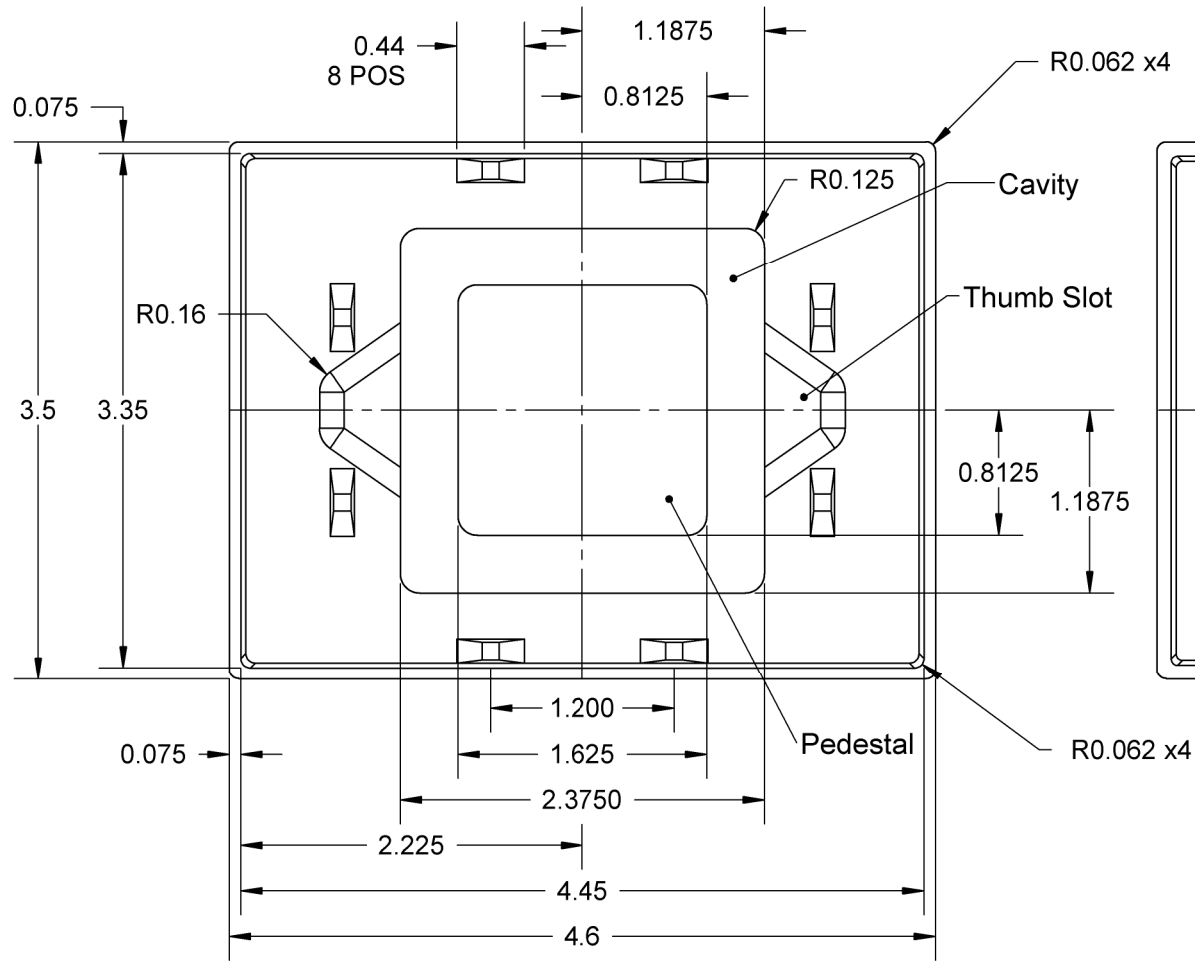


FRONT (CLOSED)

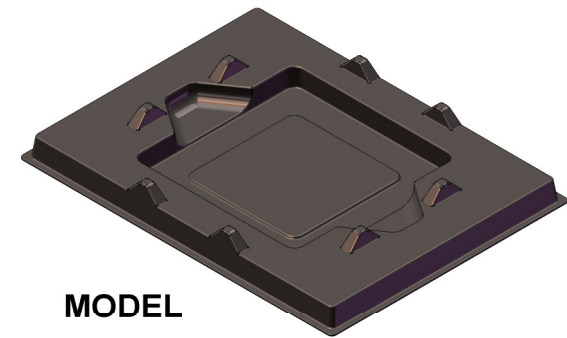
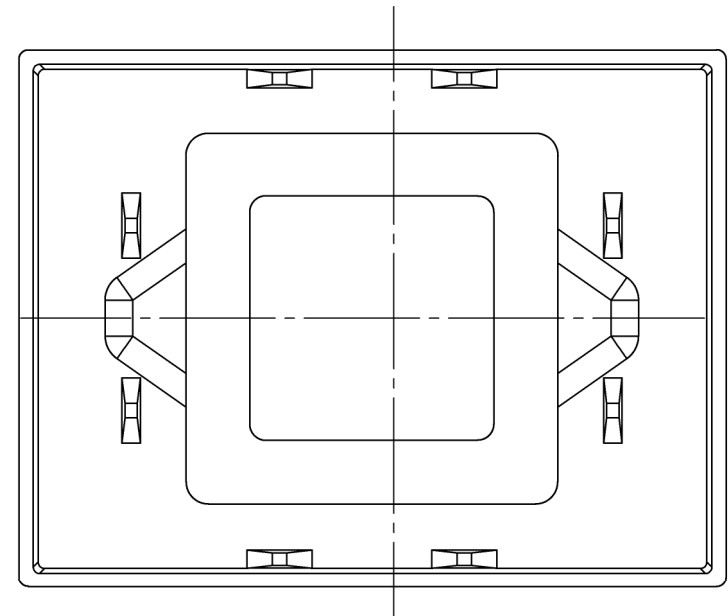
- Notes: (Unless Otherwise Specified).
 1) SURFACE RESISTIVITY: $10^4 \sim 10^5 \Omega$.
 2) MATERIAL: CARBON FILLED POLYPROPYLENE.
 3) DIMENSIONS IN INCHES.

TopLine®			
TITLE		EC1 (EMPTY BOX) HINGE BOX	
SCALE	SIZE	DRAWING NO.	REV
1:2	A	090000	A
DO NOT SCALE DRAWING			SHEET 5 OF 10

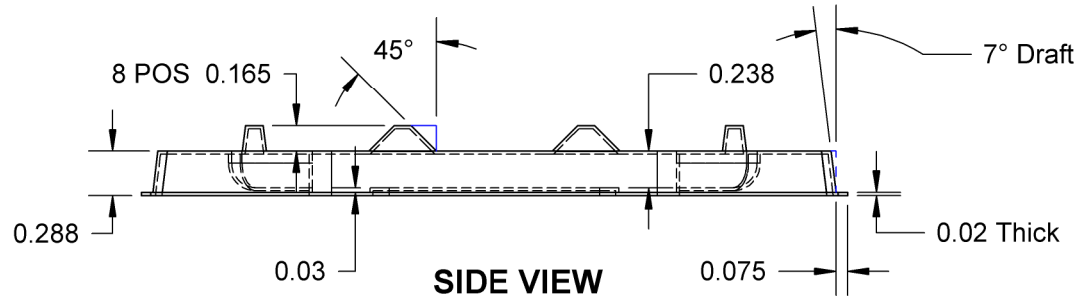
TOP VIEW



BOTTOM VIEW



MODEL



SIDE VIEW

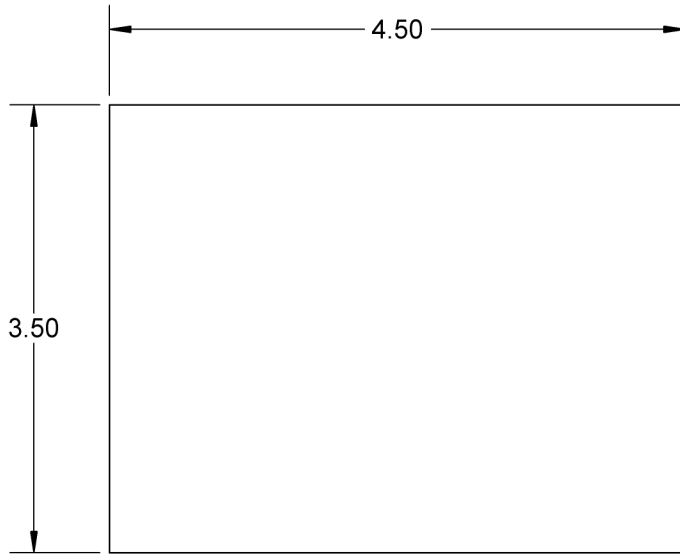
- Notes:
 1. DIMENSIONS IN INCHES.
 2. SURFACE RESISTIVITY: $10^4 \sim 10^5 \Omega$.

TopLine®

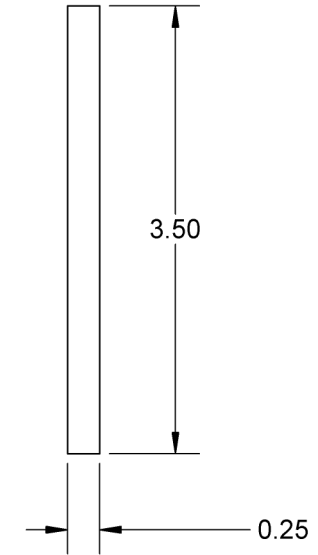
TITLE CCGA TRAY INSERT
FOR 4.625 x 3.5 HINGE BOX

SCALE	SIZE	DRAWING NO.	REV
2:2.5	A	140099	A

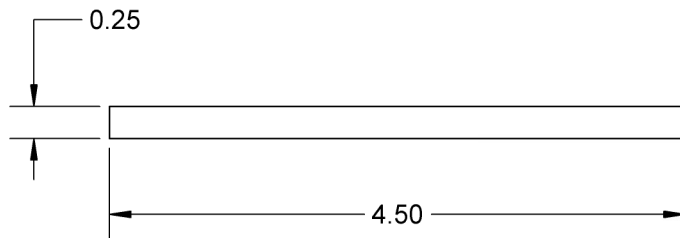
TOP



EDGE



SIDE



Notes: (Unless Otherwise Specified).

- 1) SURFACE RESISTIVITY: $10^5\Omega$ TO $10^6\Omega$.
- 3) DENSITY 1.7 PFC Min.
- 4) DIMENSIONS IN INCHES

TopLine[®]

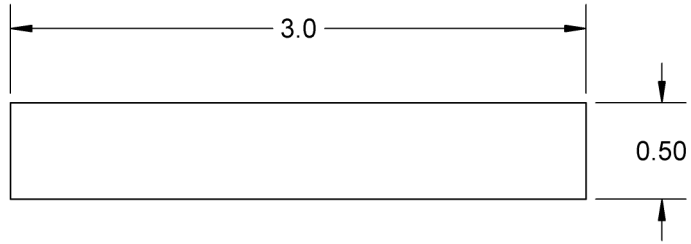
TITLE EC1-FOAM-SOFT-.25-A
LOW DENSITY FOAM

SCALE 1:1.5	SIZE A	DRAWING NO. 090003	REV A
----------------	-----------	-----------------------	----------

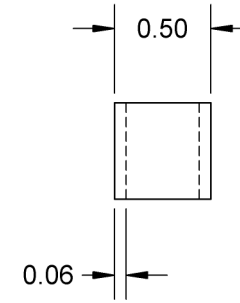
DO NOT SCALE DRAWING

SHEET 7 OF 10

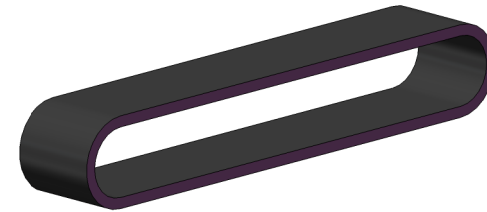
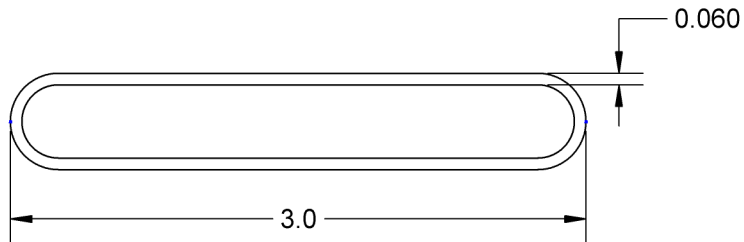
TOP



EDGE



SIDE



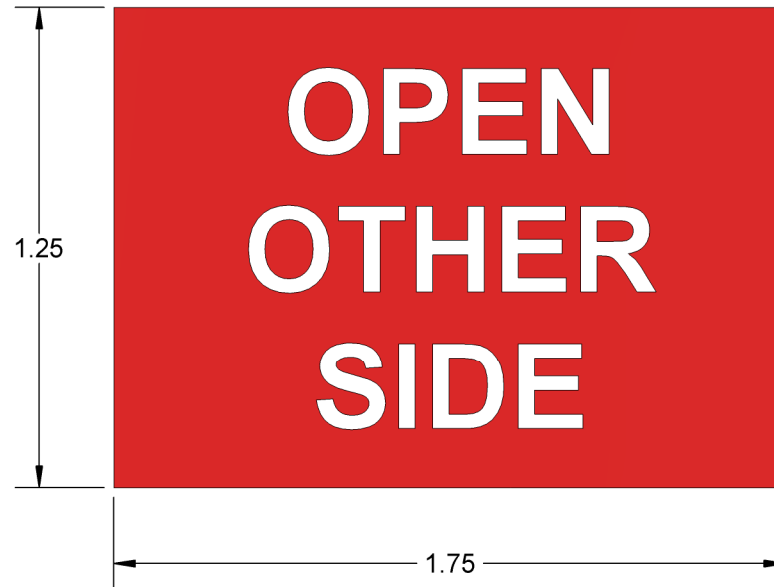
MODEL

Notes: (Unless Otherwise Specified).

1) SURFACE RESISTIVITY: $10^3 \Omega$ TO $10^6 \Omega$.

2) DIMENSIONS in INCHES (RESTING POSITION).

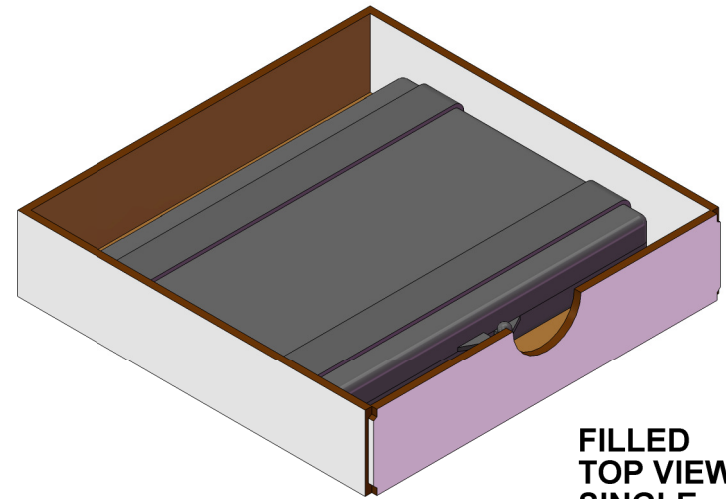
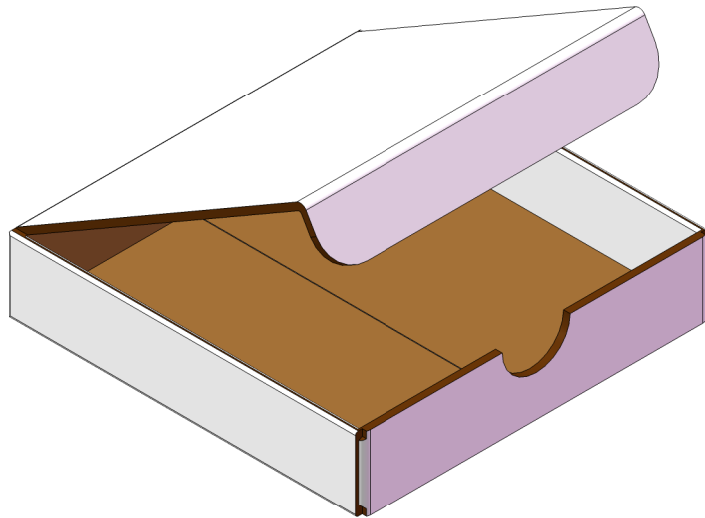
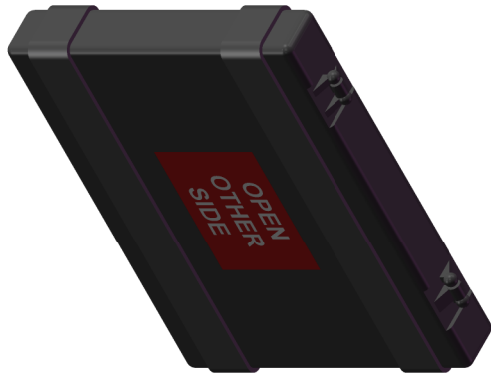
TopLine[®]			
TITLE		RUBBER BAND-3.0-C BLACK CONDUCTIVE	
SCALE	SIZE	DRAWING NO.	REV
1:1	A	090005	A
DO NOT SCALE DRAWING			SHEET 8 OF 10



Notes: (Unless Otherwise Specified).

1. DIMENSIONS INCHES.
2. MATERIAL: PAPER LABEL WITH ADHESIVE.
3. COLOR: RED.
4. PURPOSE: IDENTIFY BOTTOM OF HINGE BOX.

TopLine[®]			
TITLE		LABEL FOR BOTTOM OF HINGE BOX	
SCALE	SIZE	DRAWING NO.	REV
2:1	A	090009	A
DO NOT SCALE DRAWING			SHEET 9 OF 10



**FILLED
TOP VIEW
SINGLE**

NOTES: (Unless Otherwise Specified).

1. DIMENSIONS INCHES.
2. MEASUREMENT INCLUDES RUBBER BANDS.
3. BOX SIZE SUBJECT TO CHANGE.

TopLine[®]

TITLE CCGA TRAY BOX CARRIER
CARTON

SCALE 1:2	SIZE A	DRAWING NO. 900001	REV A
--------------	-----------	-----------------------	----------

DO NOT SCALE DRAWING

SHEET 10 OF 10