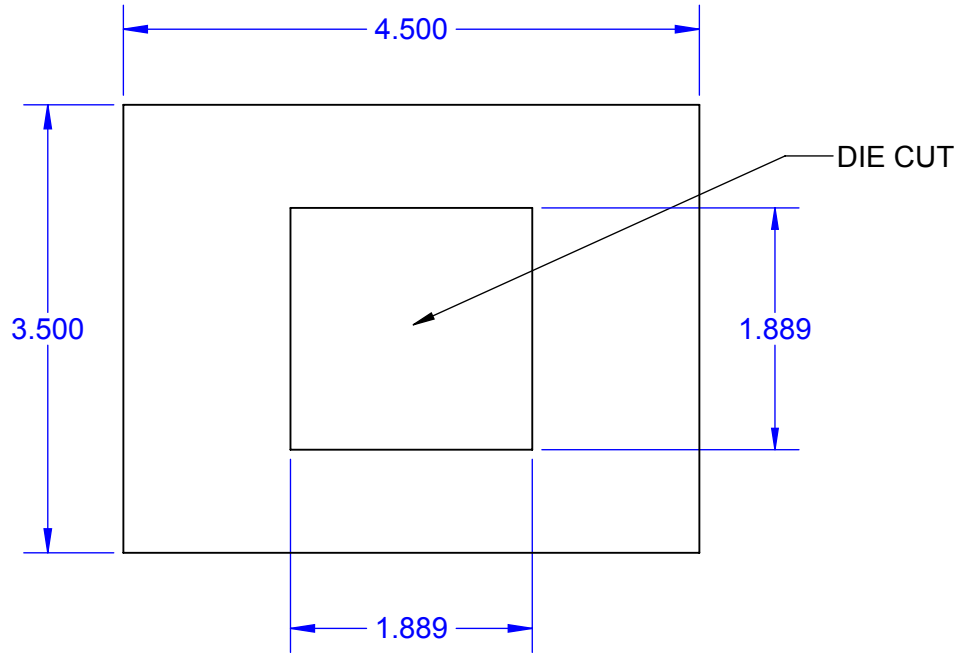
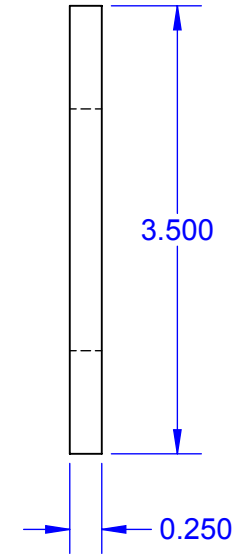


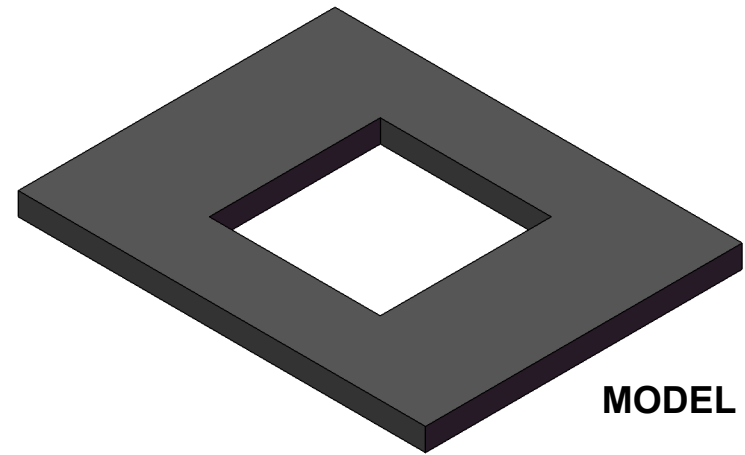
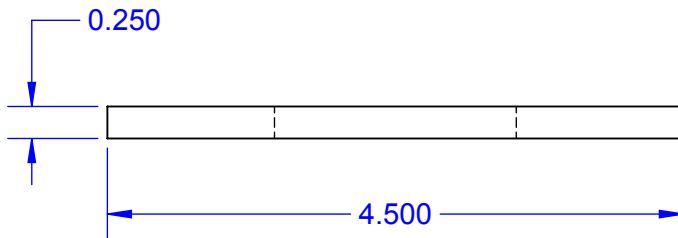
TOP



EDGE



SIDE



MODEL

Notes: (Unless Otherwise Specified).

- 1) SURFACE RESISTIVITY: $10^3 \Omega$ TO $10^6 \Omega$ PER SQUARE.
- 2) DENSE CONDUCTIVE FOAM.
- 3) DENSITY 2.0 PFC Min.

APPROVALS	DATE	TopLine®			
DRAWN T.Au	01/23/15				
ENG M. Hart	01/23/15	TITLE EC1-FOAM-INSERT-A HIGH DENSITY FOAM			
MFG		SCALE	SIZE	DRAWING NO.	REV
QA		1:1.5	A	090002	A
CUST		DO NOT SCALE DRAWING			SHEET 1 OF 1
REVISED					