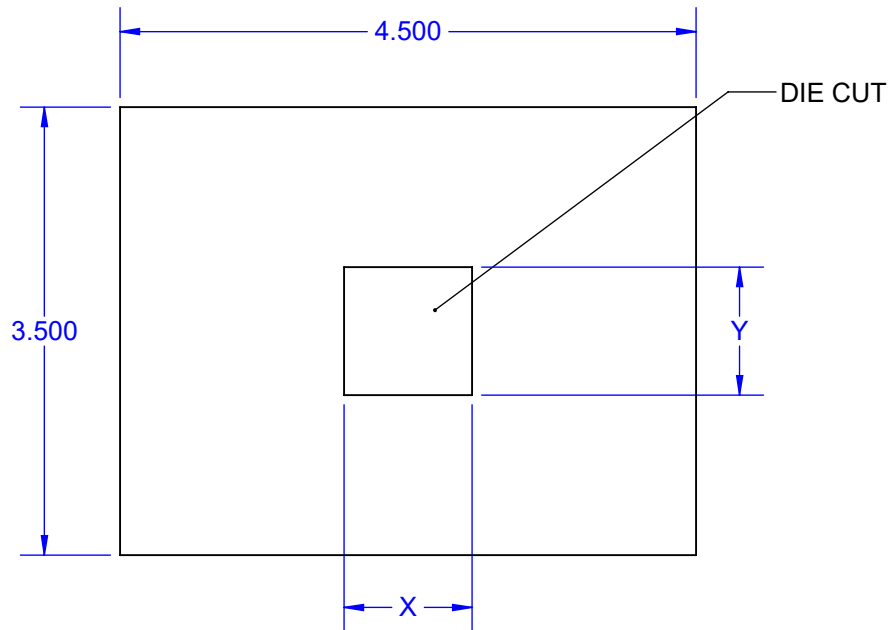
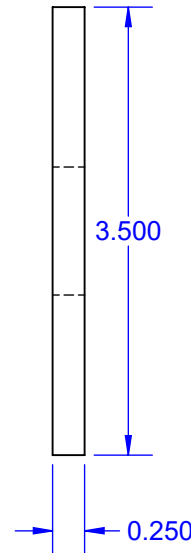


TOP

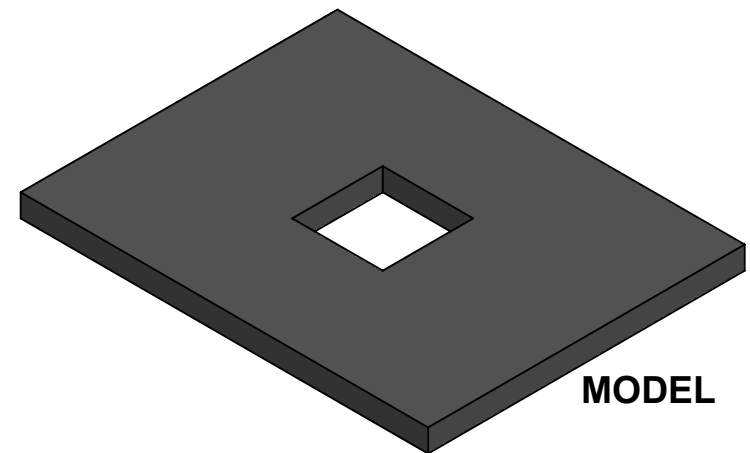
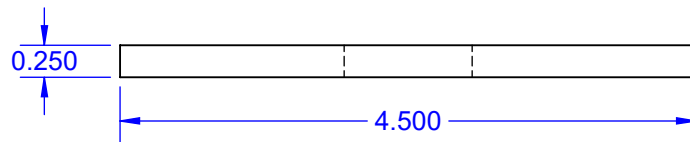


EDGE



DIMENSION TABLE		
DIE-CUT WINDOW		DWG
INCH X/Y	MM X/Y	
0.51x0.51"	13x13mm	090030
0.67x0.67"	17x17mm	090031
0.75x0.75"	19x19mm	090025
1.0x1.0"	25.4x25.4mm	090033
1.125x1.125"	28.6x28.6mm	090028
1.25x1.25"	31.7x31.7mm	090032
1.375x1.375"	35x35mm	090035
1.50x1.50"	38x38mm	090038
1.87x1.87"	47.5x47.5mm	090002
2.00x2.00"	50.8x50.8mm	090050
2.34x2.34"	59.4x59.4mm	090008
0.60x0.825"	15x21mm	090029
1.0x1.5"	25x38mm	090039


SIDE



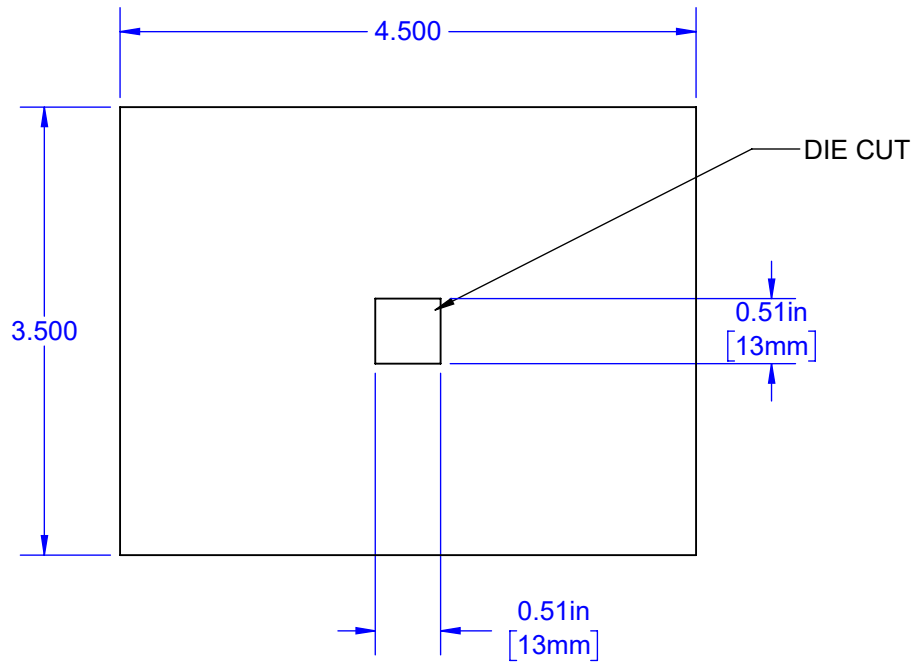
MODEL

Notes: (Unless Otherwise Specified).

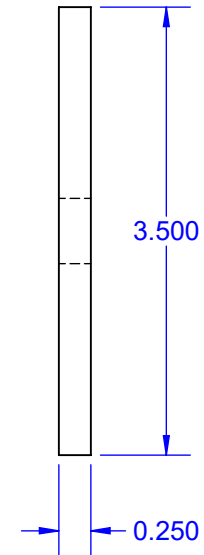
- 1) SURFACE RESISTIVITY: $10^3 \Omega$ TO $10^6 \Omega$ PER SQUARE.
- 2) DENSE CONDUCTIVE FOAM.
- 3) DENSITY 2.0 PFC Min.
- 4) DIMENSION INCH (mm).

APPROVALS	DATE				
DRAWN T. Au	6/23/2021				
ENG M. Hart	6/23/2021	TITLE EC1-FOAM INSERT Master HIGH DENSITY FOAM			
MFG		SCALE	SIZE	DRAWING NO.	REV
QA		2:3	A	090027	A
CUST		DO NOT SCALE DRAWING			SHEET 1 OF 14
REVISED					

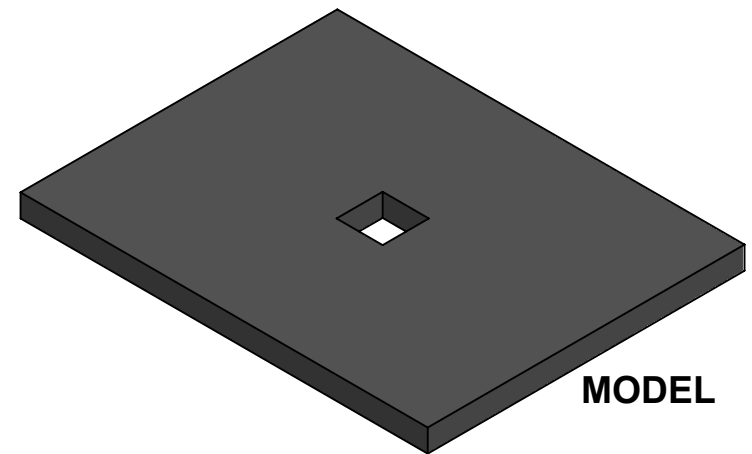
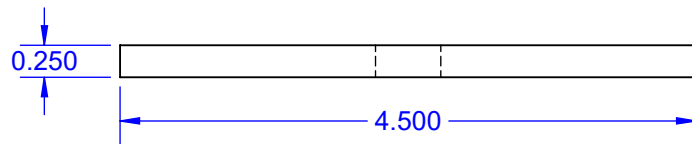
TOP



EDGE



SIDE



Notes: (Unless Otherwise Specified).

- 1) SURFACE RESISTIVITY: $10^3 \Omega$ TO $10^6 \Omega$ PER SQUARE.
- 2) DENSE CONDUCTIVE FOAM.
- 3) DENSITY 2.0 PFC Min.
- 4) DIMENSIONS INCH (mm).

TopLine®

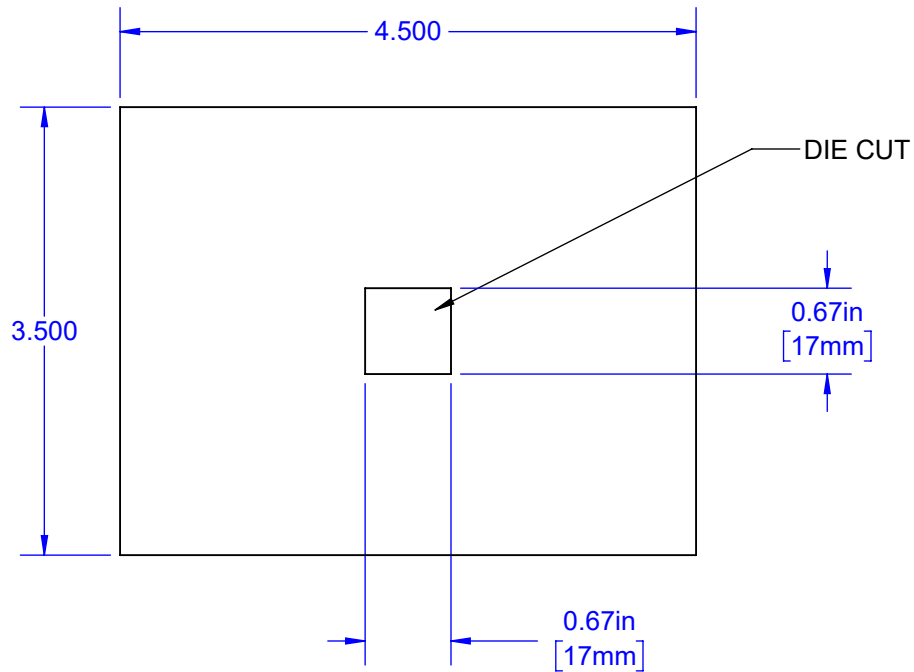
TITLE EC1-FOAM INSERT 13mm
HIGH DENSITY FOAM

SCALE 2:3	SIZE A	DRAWING NO. 090030	REV A
--------------	-----------	-----------------------	----------

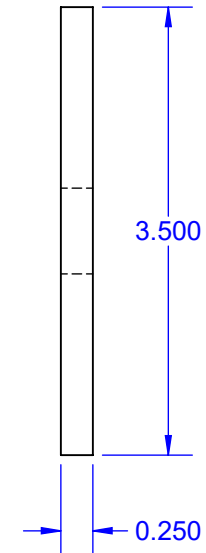
DO NOT SCALE DRAWING

SHEET 2 OF 14

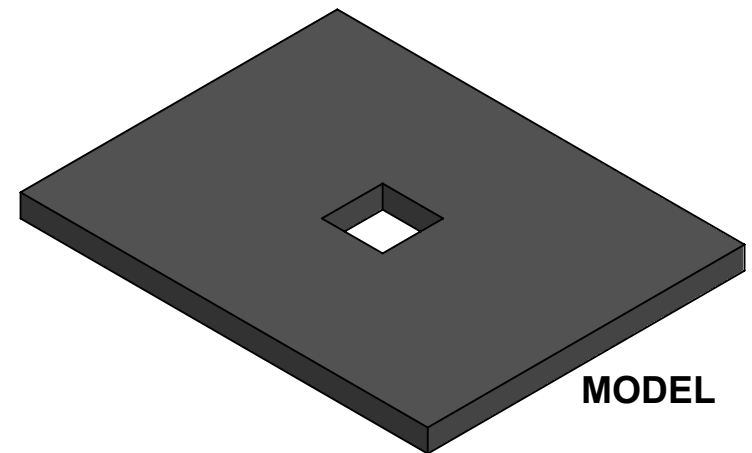
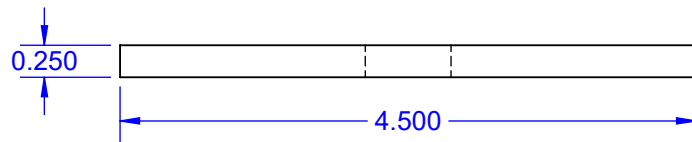
TOP



EDGE



SIDE



Notes: (Unless Otherwise Specified).

- 1) SURFACE RESISTIVITY: $10^3 \Omega$ TO $10^6 \Omega$ PER SQUARE.
- 2) DENSE CONDUCTIVE FOAM.
- 3) DENSITY 2.0 PFC Min.
- 4) DIMENSIONS INCH (mm).

TopLine[®]

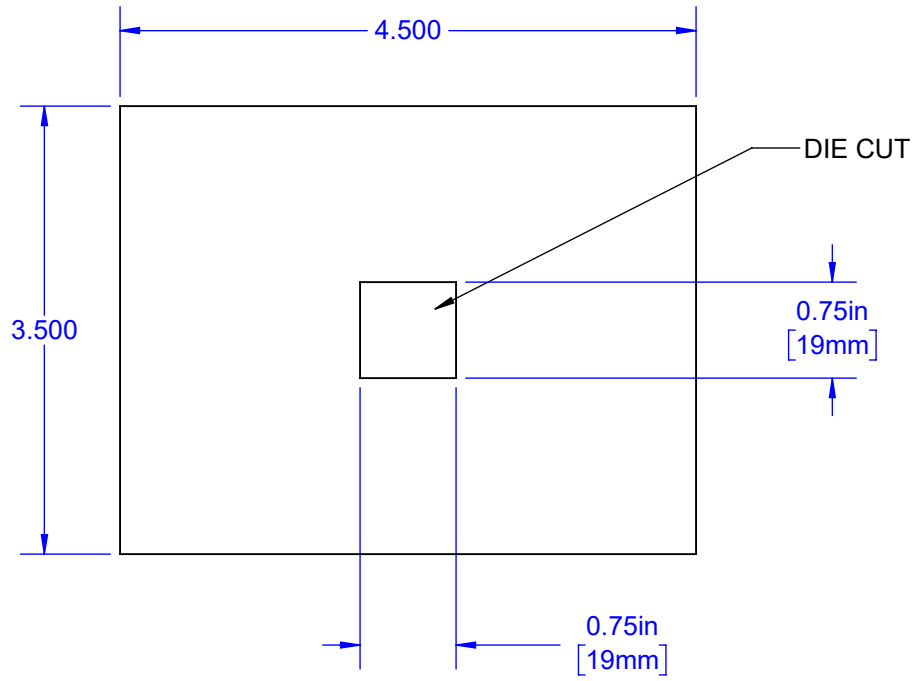
TITLE EC1-FOAM INSERT 17mm
HIGH DENSITY FOAM

SCALE 2:3	SIZE A	DRAWING NO. 090031	REV A
--------------	-----------	-----------------------	----------

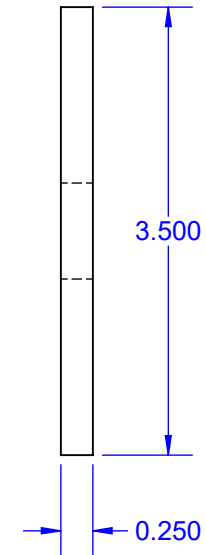
DO NOT SCALE DRAWING

SHEET 3 OF 14

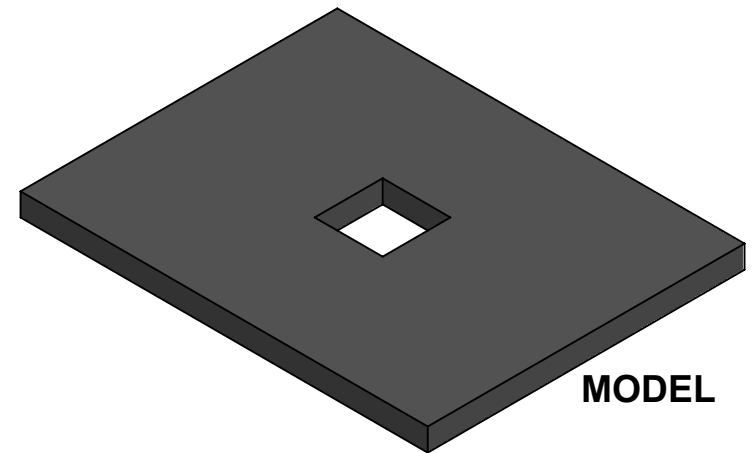
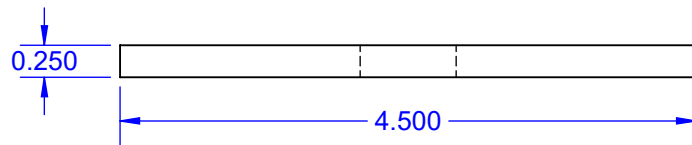
TOP



EDGE



SIDE



Notes: (Unless Otherwise Specified).

- 1) SURFACE RESISTIVITY: $10^3 \Omega$ TO $10^6 \Omega$ PER SQUARE.
- 2) DENSE CONDUCTIVE FOAM.
- 3) DENSITY 2.0 PFC Min.
- 4) DIMENSIONS INCH (mm).

TopLine®

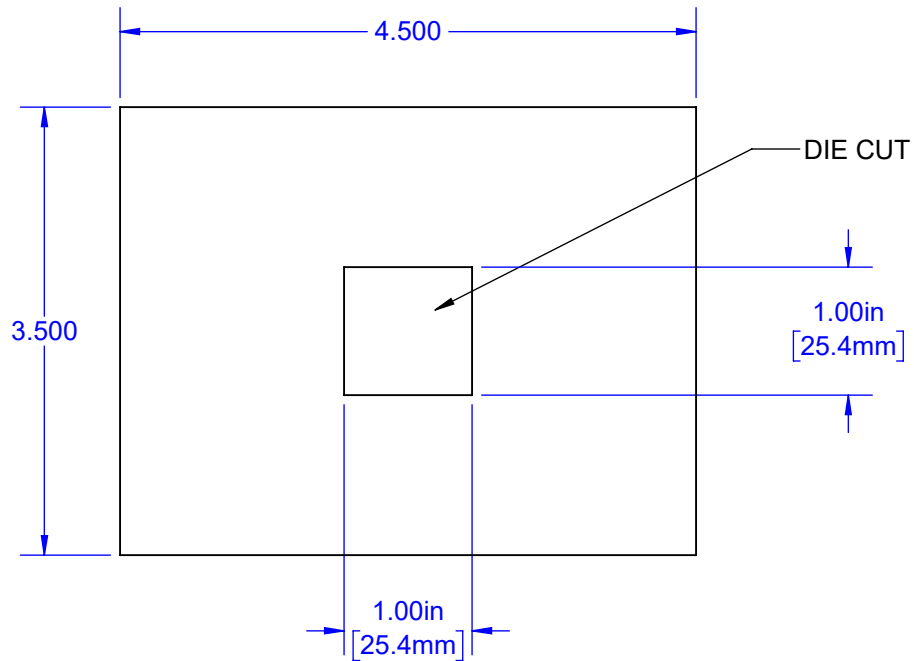
TITLE EC1-FOAM INSERT 19mm
HIGH DENSITY FOAM

SCALE 2:3	SIZE A	DRAWING NO. 090025	REV A
--------------	-----------	-----------------------	----------

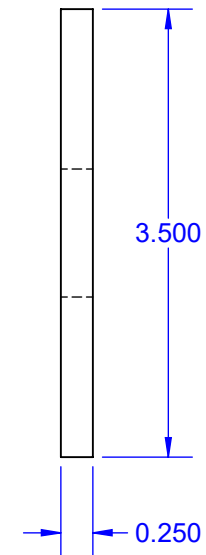
DO NOT SCALE DRAWING

SHEET 4 OF 14

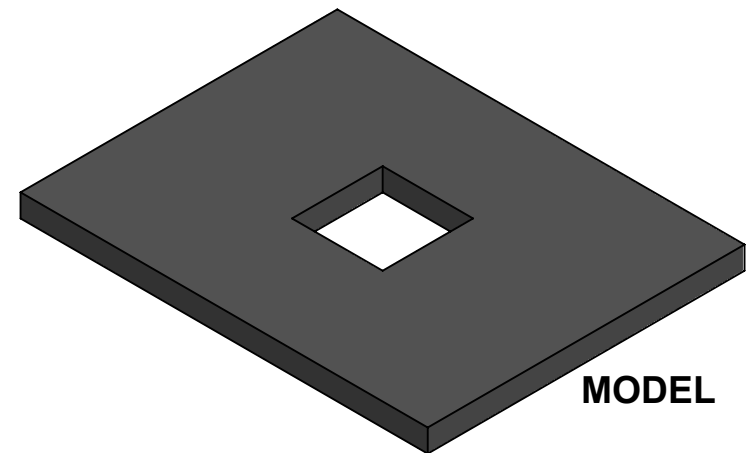
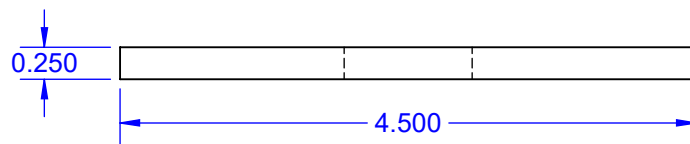
TOP



EDGE



SIDE



Notes: (Unless Otherwise Specified).

- 1) SURFACE RESISTIVITY: $10^3 \Omega$ TO $10^6 \Omega$ PER SQUARE.
- 2) DENSE CONDUCTIVE FOAM.
- 3) DENSITY 2.0 PFC Min.
- 4) DIMENSIONS INCH (mm).

TopLine[®]

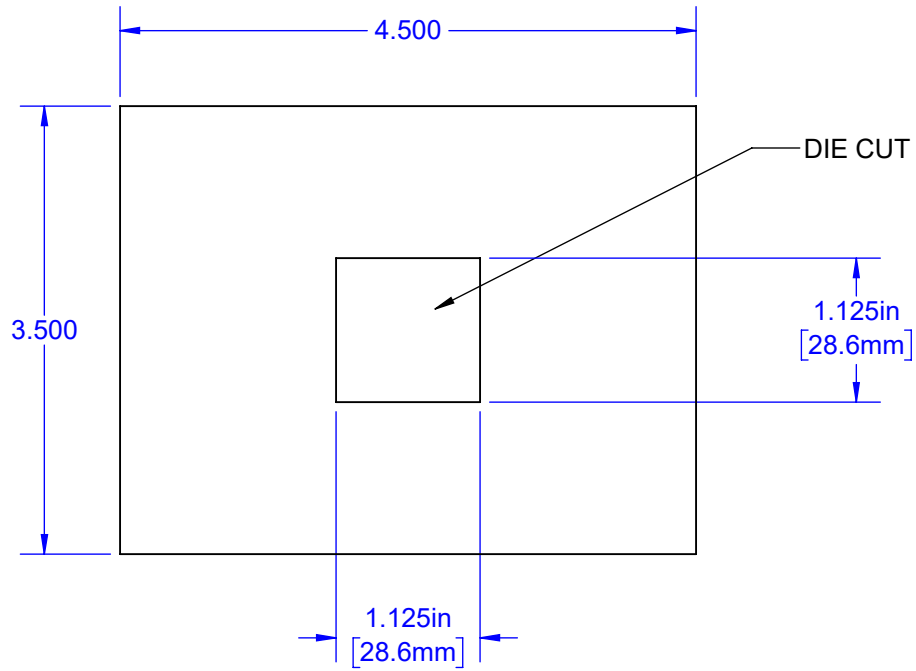
TITLE EC1-FOAM INSERT 25.4mm
HIGH DENSITY FOAM

SCALE	SIZE	DRAWING NO.	REV
2:3	A	090033	A

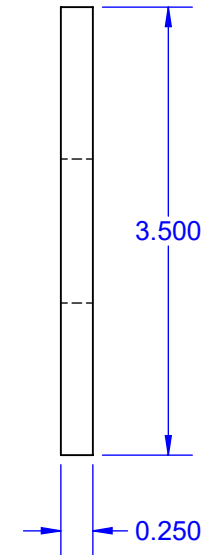
DO NOT SCALE DRAWING

SHEET 5 OF 14

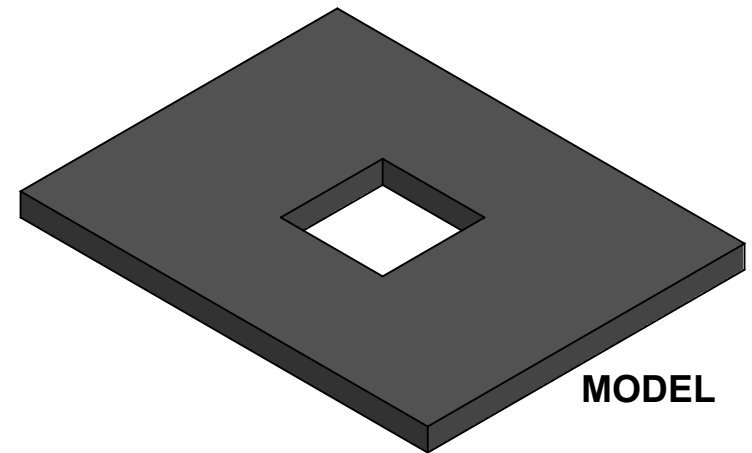
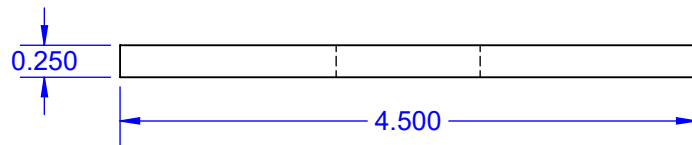
TOP



EDGE



SIDE



MODEL

Notes: (Unless Otherwise Specified).

- 1) SURFACE RESISTIVITY: $10^3 \Omega$ TO $10^6 \Omega$ PER SQUARE.
- 2) DENSE CONDUCTIVE FOAM.
- 3) DENSITY 2.0 PFC Min.
- 4) DIMENSIONS INCH (mm).

TopLine[®]

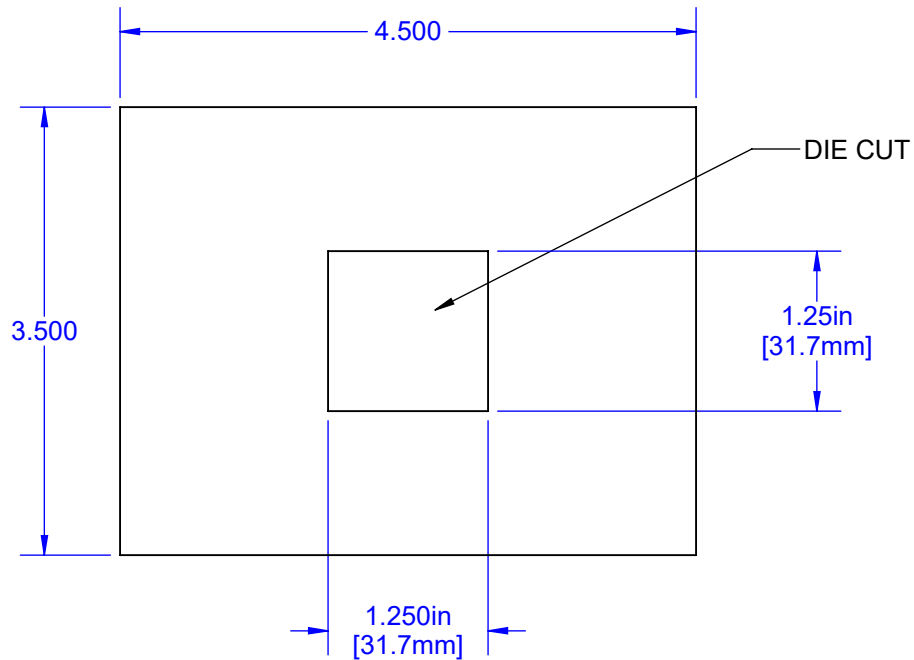
TITLE EC1-FOAM INSERT 28.6mm
HIGH DENSITY FOAM

SCALE 2:3	SIZE A	DRAWING NO. 090028	REV A
--------------	-----------	-----------------------	----------

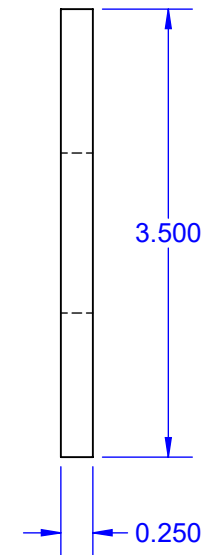
DO NOT SCALE DRAWING

SHEET 6 OF 14

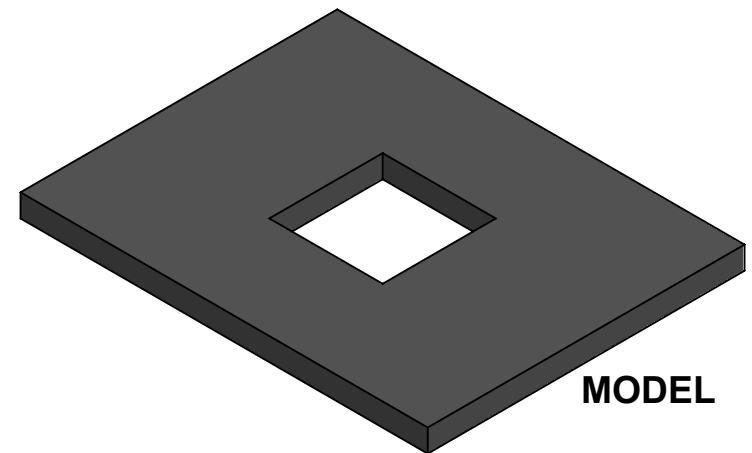
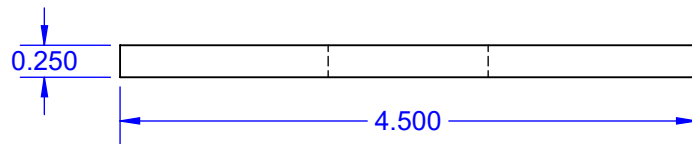
TOP



EDGE



SIDE



MODEL

Notes: (Unless Otherwise Specified).

- 1) SURFACE RESISTIVITY: $10^3 \Omega$ TO $10^6 \Omega$ PER SQUARE.
- 2) DENSE CONDUCTIVE FOAM.
- 3) DENSITY 2.0 PFC Min.
- 4) DIMENSIONS INCH (mm).

TopLine[®]

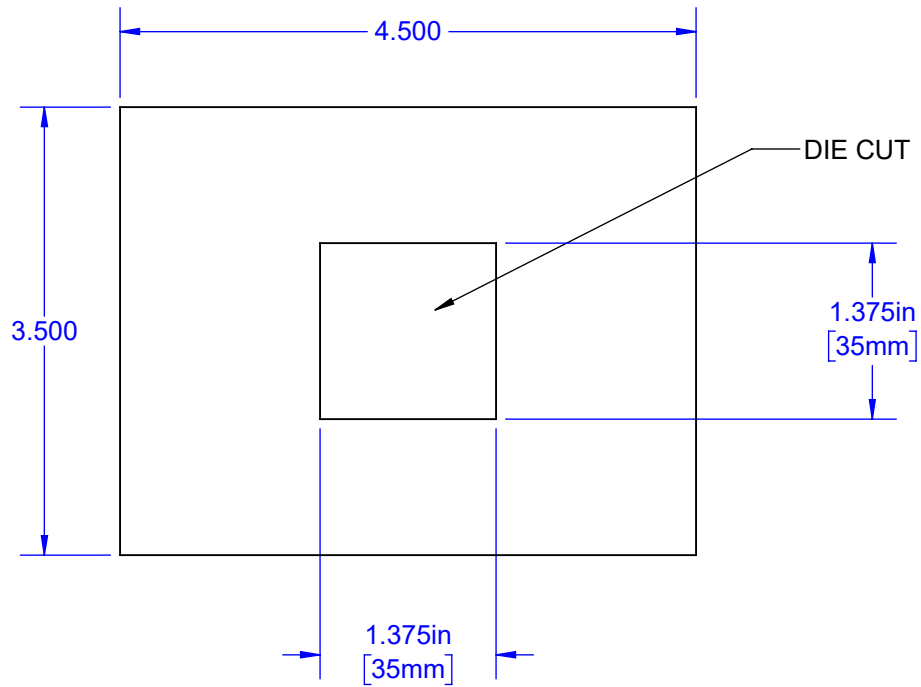
TITLE EC1-FOAM INSERT 31.7mm
HIGH DENSITY FOAM

SCALE 2:3	SIZE A	DRAWING NO. 090032	REV A
--------------	-----------	-----------------------	----------

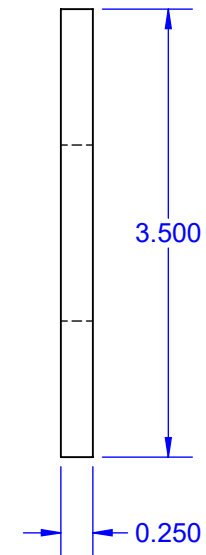
DO NOT SCALE DRAWING

SHEET 7 OF 14

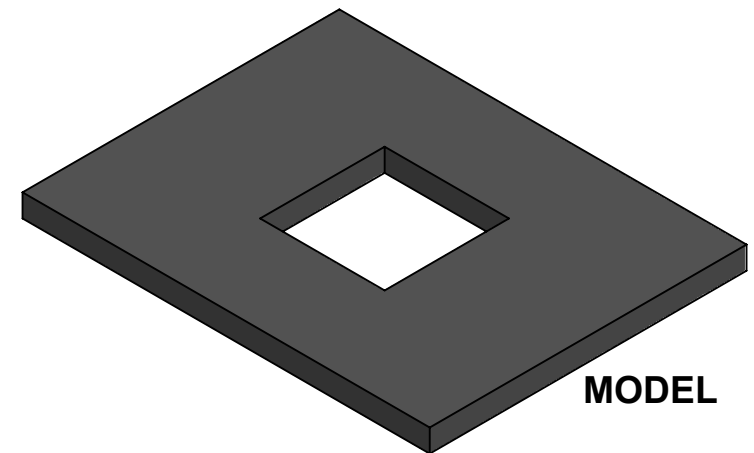
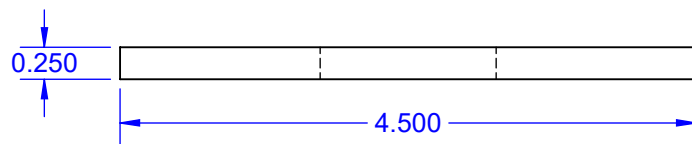
TOP



EDGE



SIDE



Notes: (Unless Otherwise Specified).

- 1) SURFACE RESISTIVITY: $10^3 \Omega$ TO $10^6 \Omega$ PER SQUARE.
- 2) DENSE CONDUCTIVE FOAM.
- 3) DENSITY 2.0 PFC Min.
- 4) DIMENSIONS INCH (mm).

TopLine[®]

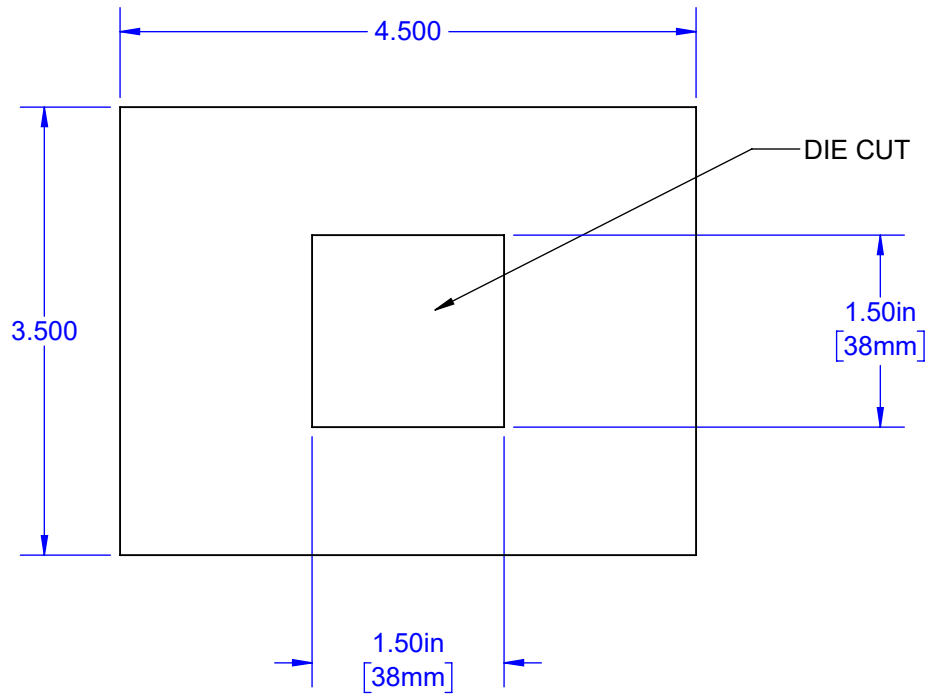
TITLE EC1-FOAM INSERT 35mm
HIGH DENSITY FOAM

SCALE 2:3	SIZE A	DRAWING NO. 090035	REV A
--------------	-----------	-----------------------	----------

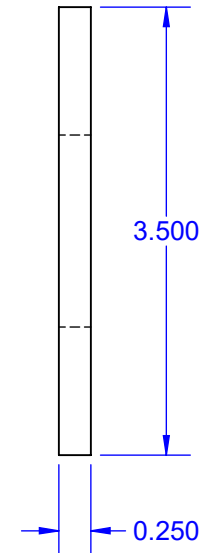
DO NOT SCALE DRAWING

SHEET 8 OF 14

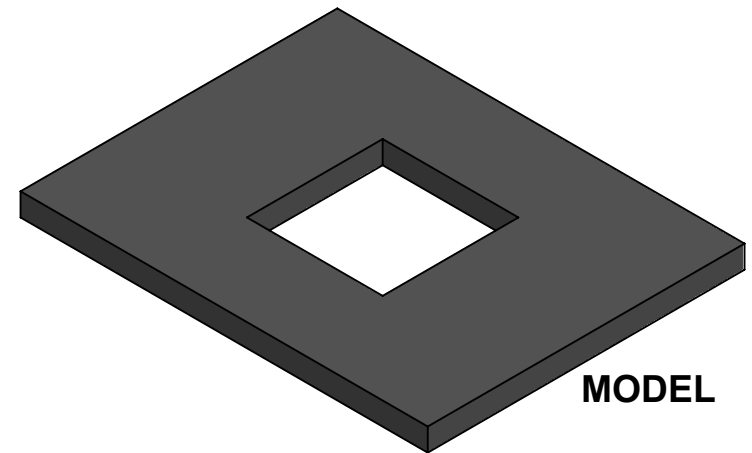
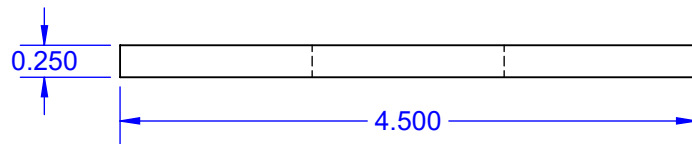
TOP



EDGE



SIDE



Notes: (Unless Otherwise Specified).

- 1) SURFACE RESISTIVITY: $10^3 \Omega$ TO $10^6 \Omega$ PER SQUARE.
- 2) DENSE CONDUCTIVE FOAM.
- 3) DENSITY 2.0 PFC Min.
- 4) DIMENSIONS INCH (mm).

TopLine®

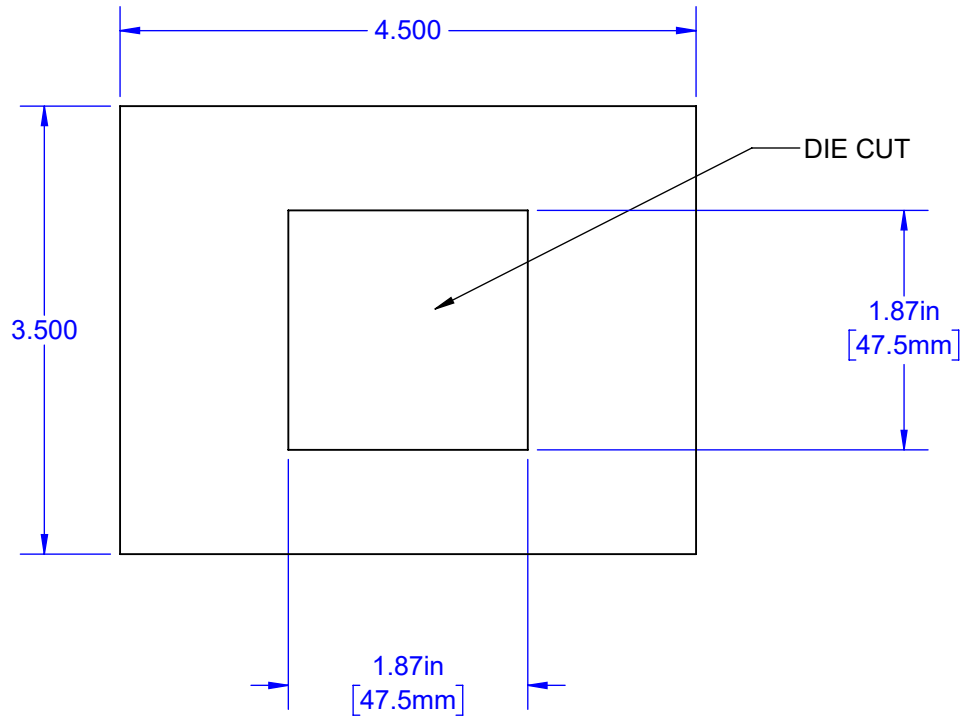
TITLE EC1-FOAM INSERT 38mm
HIGH DENSITY FOAM

SCALE 2:3	SIZE A	DRAWING NO. 090038	REV A
--------------	-----------	-----------------------	----------

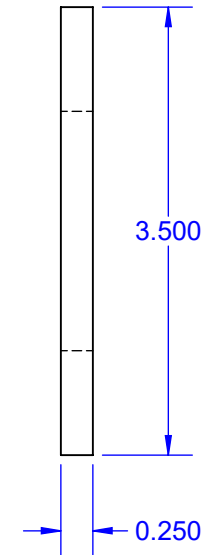
DO NOT SCALE DRAWING

SHEET 9 OF 14

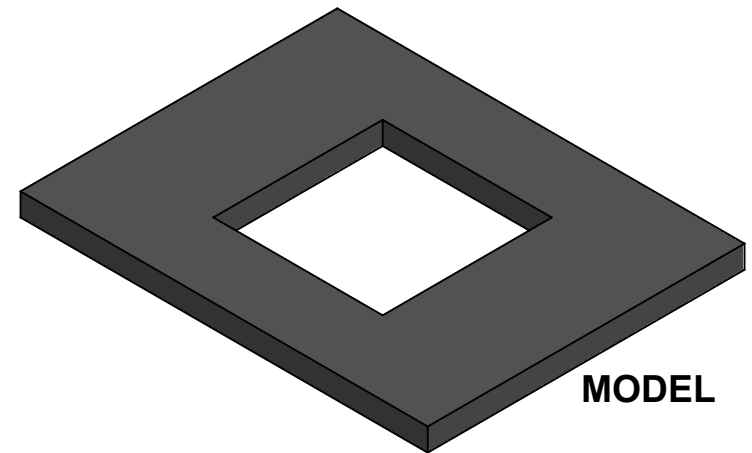
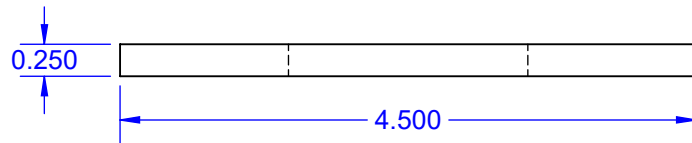
TOP



EDGE



SIDE



MODEL

Notes: (Unless Otherwise Specified).

- 1) SURFACE RESISTIVITY: $10^3 \Omega$ TO $10^6 \Omega$ PER SQUARE.
- 2) DENSE CONDUCTIVE FOAM.
- 3) DENSITY 2.0 PFC Min.
- 4) DIMENSIONS INCH (mm).

TopLine[®]

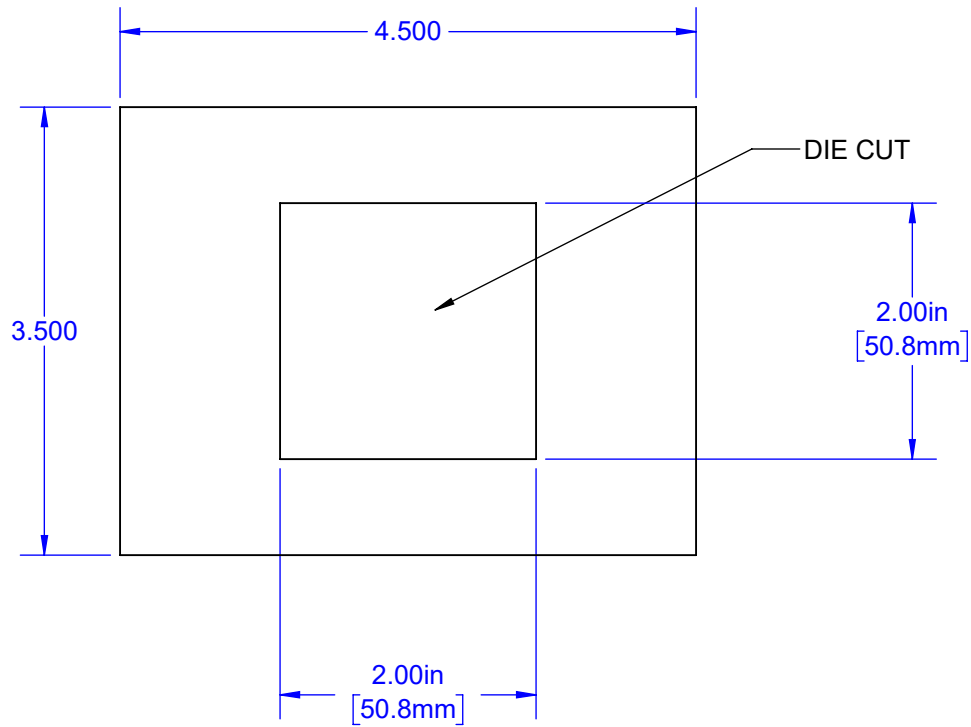
TITLE EC1-FOAM INSERT 47.5mm
HIGH DENSITY FOAM

SCALE 2:3	SIZE A	DRAWING NO. 090002	REV A
--------------	-----------	-----------------------	----------

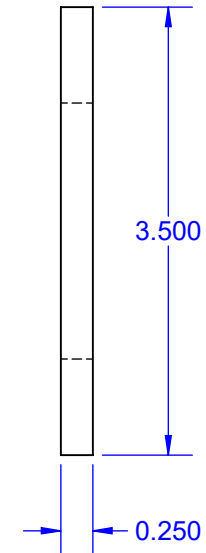
DO NOT SCALE DRAWING

SHEET 10 OF 14

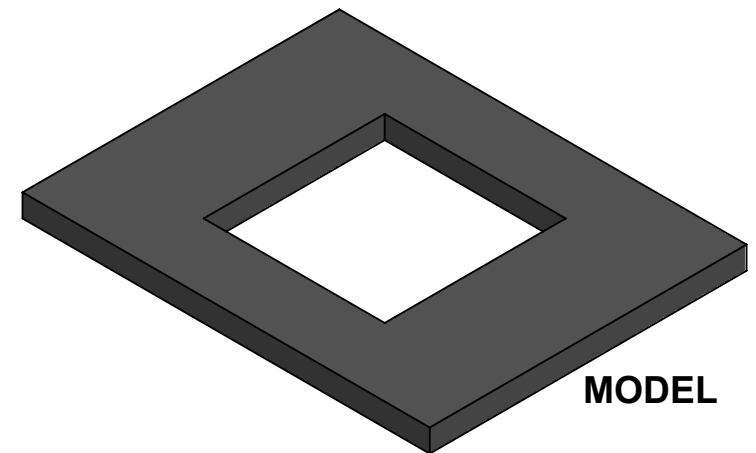
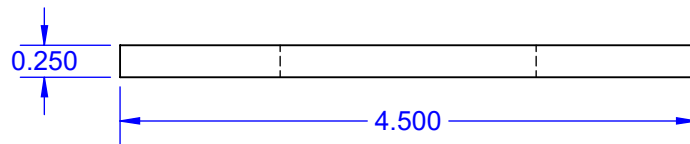
TOP



EDGE



SIDE



MODEL

Notes: (Unless Otherwise Specified).

- 1) SURFACE RESISTIVITY: $10^3 \Omega$ TO $10^6 \Omega$ PER SQUARE.
- 2) DENSE CONDUCTIVE FOAM.
- 3) DENSITY 2.0 PFC Min.
- 4) DIMENSIONS INCH (mm).

TopLine®

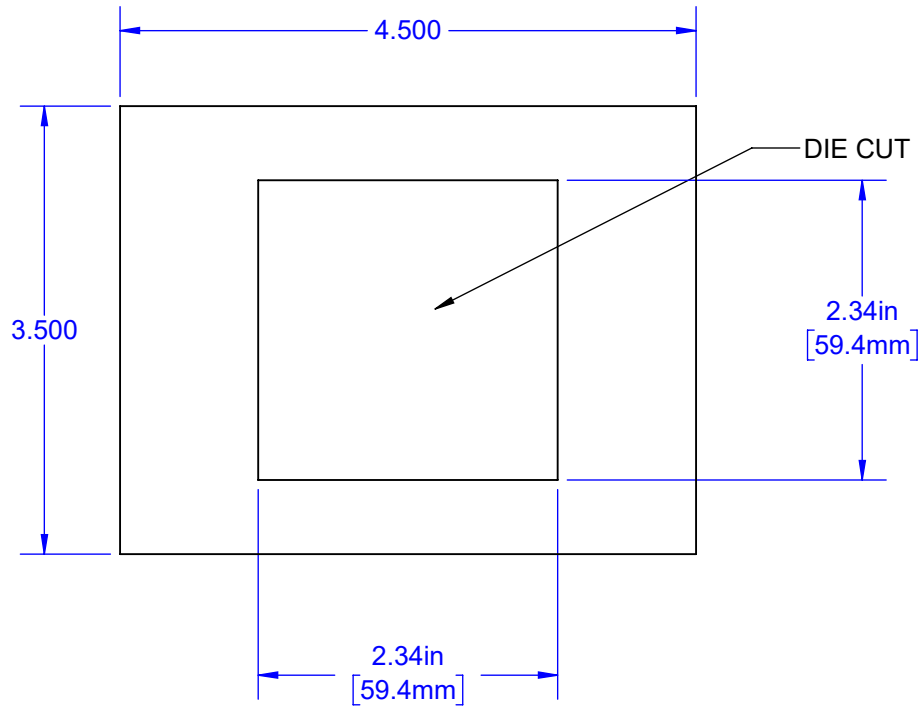
TITLE EC1-FOAM INSERT 50.8mm
HIGH DENSITY FOAM

SCALE 2:3	SIZE A	DRAWING NO. 090050	REV A
--------------	-----------	-----------------------	----------

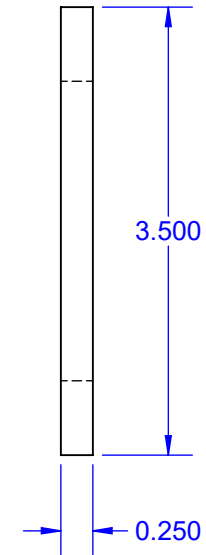
DO NOT SCALE DRAWING

SHEET 11 OF 14

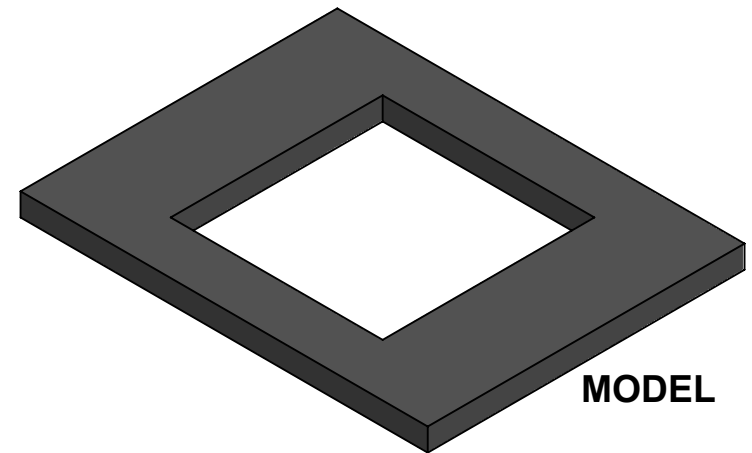
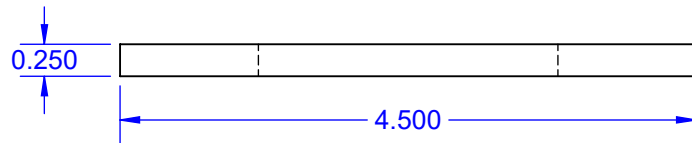
TOP



EDGE



SIDE



Notes: (Unless Otherwise Specified).

- 1) SURFACE RESISTIVITY: $10^3 \Omega$ TO $10^6 \Omega$ PER SQUARE.
- 2) DENSE CONDUCTIVE FOAM.
- 3) DENSITY 2.0 PFC Min.
- 4) DIMENSIONS INCH (mm).

TopLine[®]

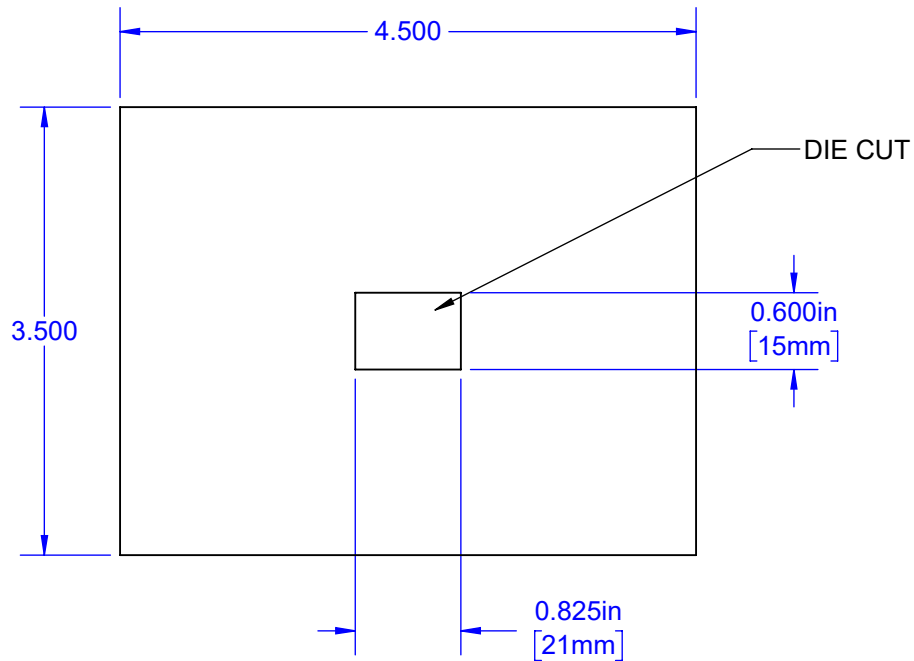
TITLE EC1-FOAM INSERT 59.4mm
HIGH DENSITY FOAM

SCALE	SIZE	DRAWING NO.	REV
2:3	A	090008	A

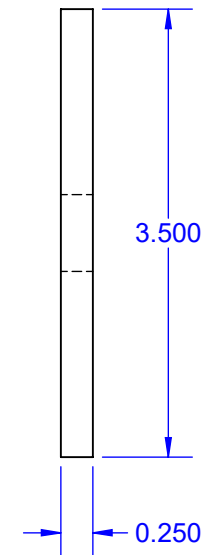
DO NOT SCALE DRAWING

SHEET 12 OF 14

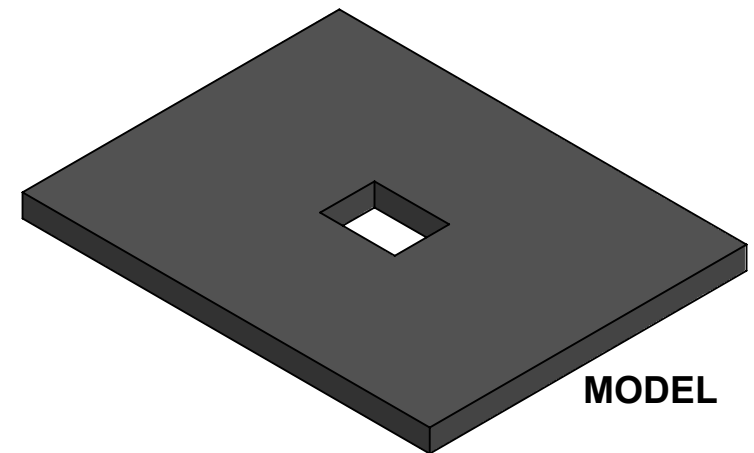
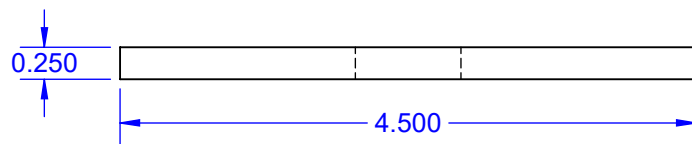
TOP



EDGE



SIDE



MODEL

Notes: (Unless Otherwise Specified).

- 1) SURFACE RESISTIVITY: $10^3 \Omega$ TO $10^6 \Omega$ PER SQUARE.
- 2) DENSE CONDUCTIVE FOAM.
- 3) DENSITY 2.0 PFC Min.
- 4) DIMENSIONS INCH (mm).

TopLine®

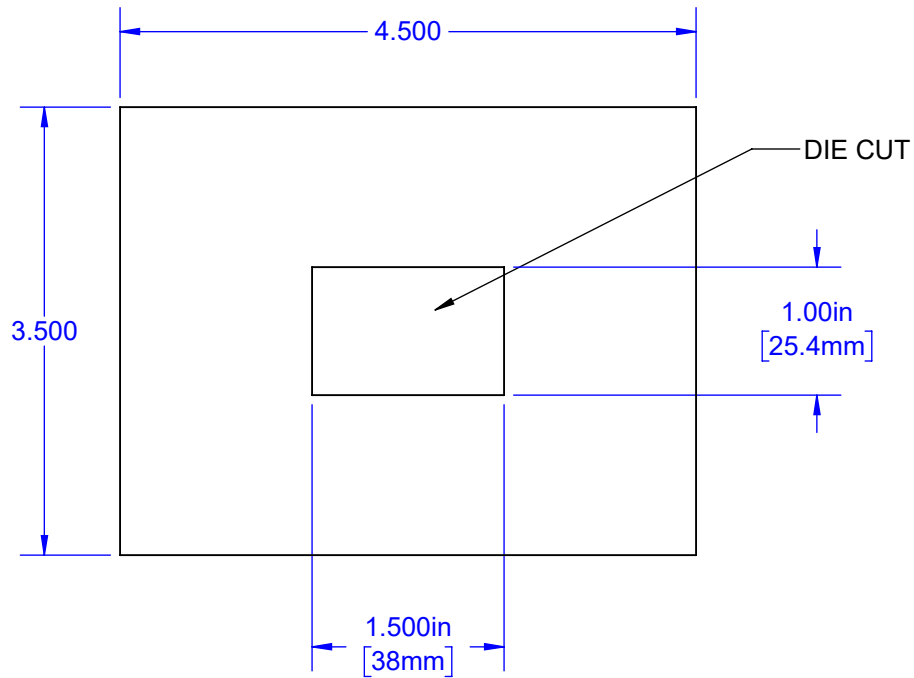
TITLE EC1-FOAM INSERT 15x21mm
HIGH DENSITY FOAM

SCALE	SIZE	DRAWING NO.	REV
2:3	A	090029	A

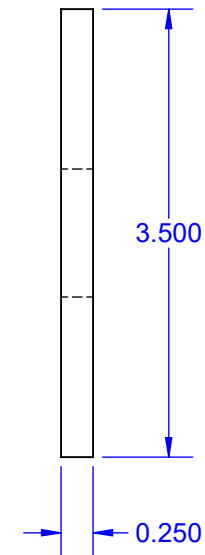
DO NOT SCALE DRAWING

SHEET 13 OF 14

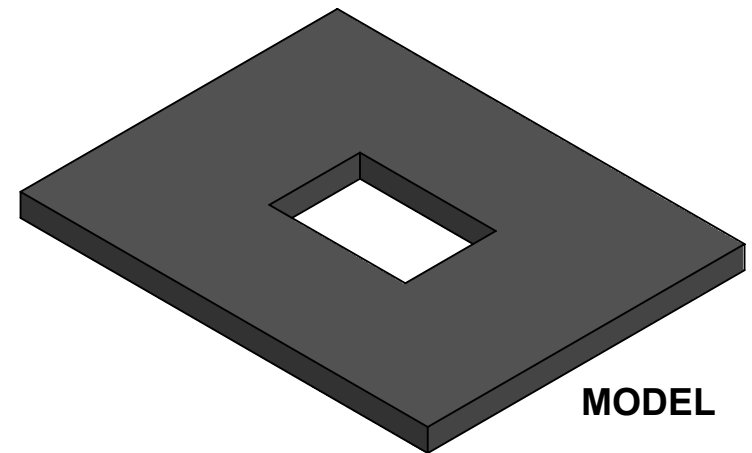
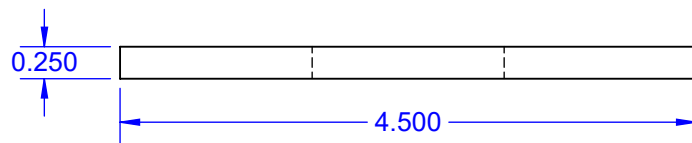
TOP



EDGE



SIDE



MODEL

Notes: (Unless Otherwise Specified).

- 1) SURFACE RESISTIVITY: $10^3 \Omega$ TO $10^6 \Omega$ PER SQUARE.
- 2) DENSE CONDUCTIVE FOAM.
- 3) DENSITY 2.0 PFC Min.
- 4) DIMENSIONS INCH (mm).

TopLine[®]

TITLE EC1-FOAM INSERT 25x38mm
HIGH DENSITY FOAM

SCALE 2:3	SIZE A	DRAWING NO. 090039	REV A
--------------	-----------	-----------------------	----------

DO NOT SCALE DRAWING

SHEET 14 OF 14