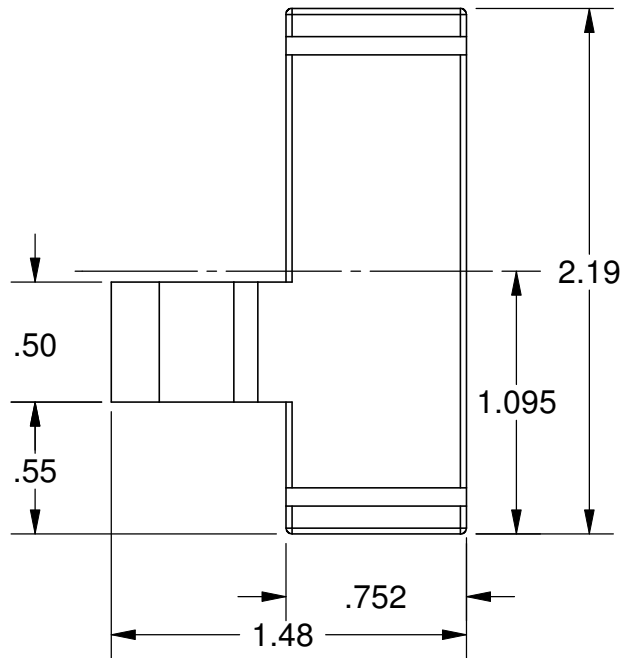
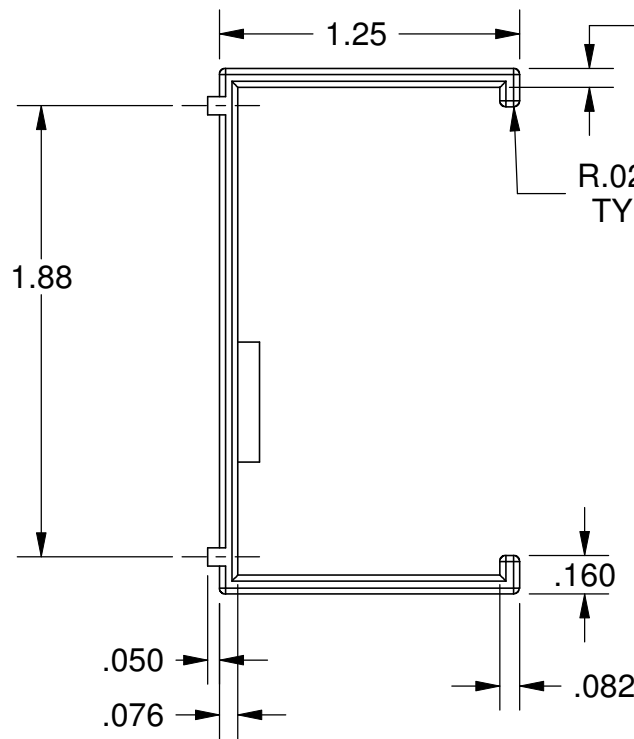


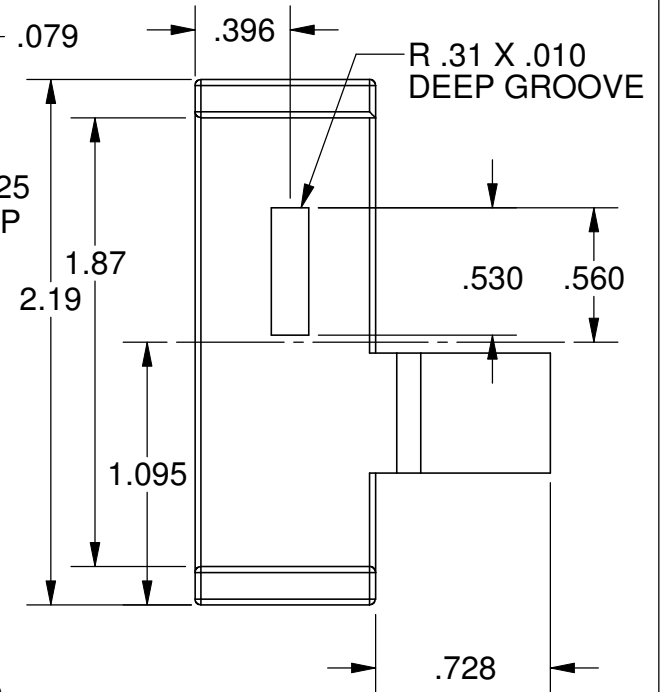
BOTTOM



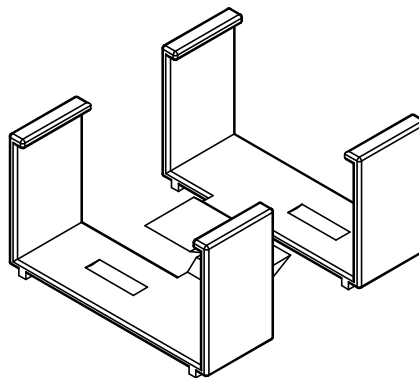
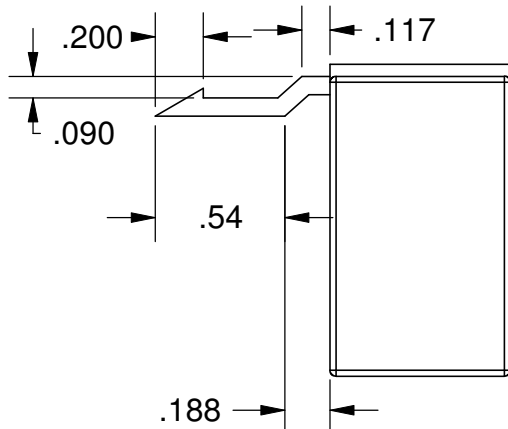
SIDE



TOP



EDGE




TWO PIECES
SNAP LOCK TOGETHER

Notes: (Unless Otherwise Specified).

- 1) MATERIAL: PLASTIC.
- 2) DIMENSIONS: INCH.
- 3) REQUIRES 2 CLIPS.
- 4) HOLDS 10 BOTTOM TRAYS + 1 COVER.

COVER PART NUMBER			
DWG	PART NUMBER	RESISTIVITY	COLOR
624030	WP2-CLIP10-B	10 ⁶ Ω	BLACK
624031	WP2-CLIP10-N	N/A	NATURAL

APPROVALS	DATE				
DRAWN J. Hines	7/2/2014				
ENG M. Hart	7/2/2014	TITLE WP2-CLIP10 2-PIECE CLIP			
MFG					
QA		SCALE 1.25:1	SIZE A	DRAWING NO. 624030	REV A
CUST		DO NOT SCALE DRAWING			SHEET 1 OF 1
REVISED					