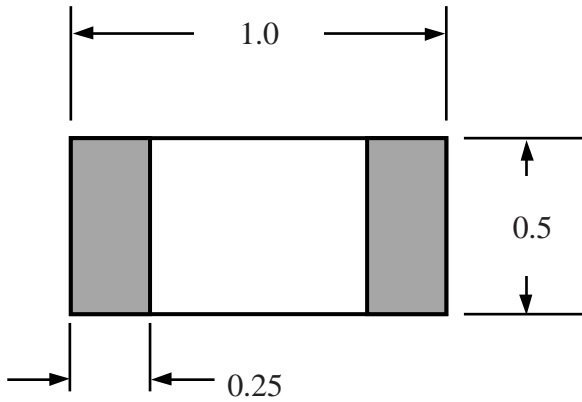
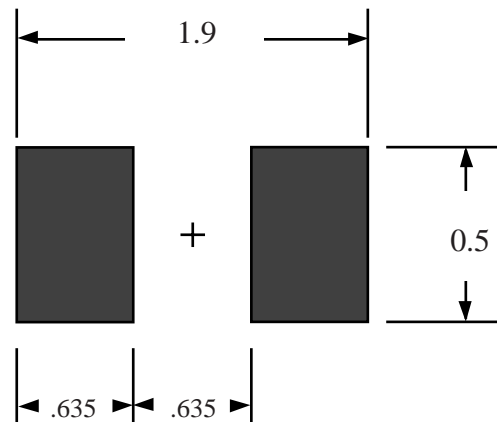


Part # **SI0402**  
**Multilayer Chip Inductor**  
Body Size **0402**  
Dwg SI0402.pdf

**TopLine**<sup>TM</sup>  
Tel 1-714-898-3830  
info@topline.to

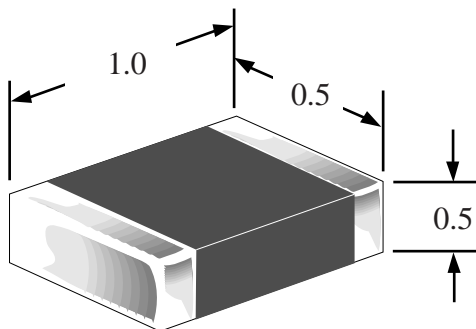


Top View

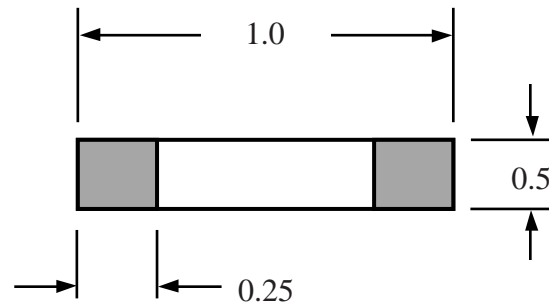


PC Board

Dimension = mm



Quick View



Side View Detail