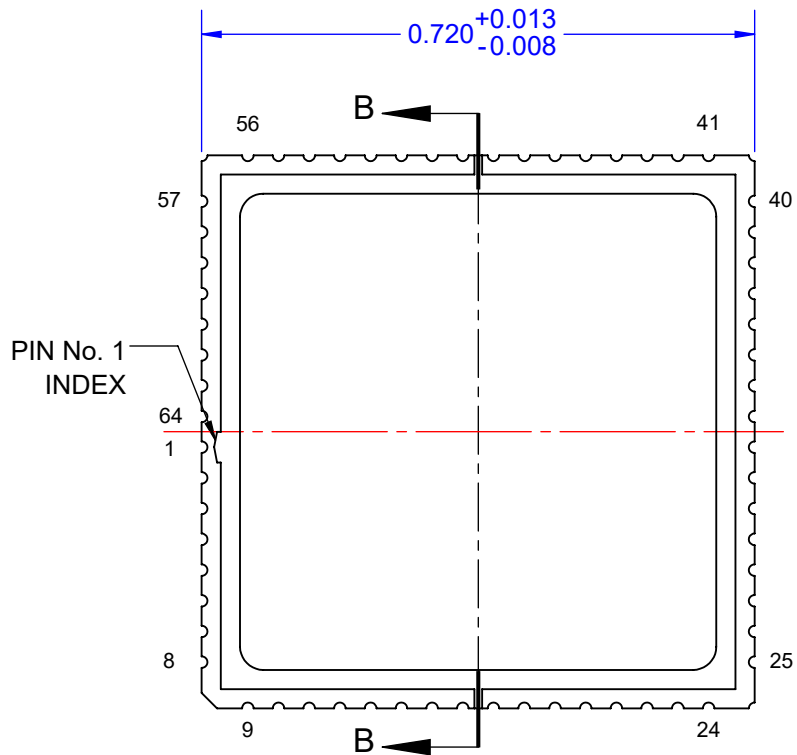
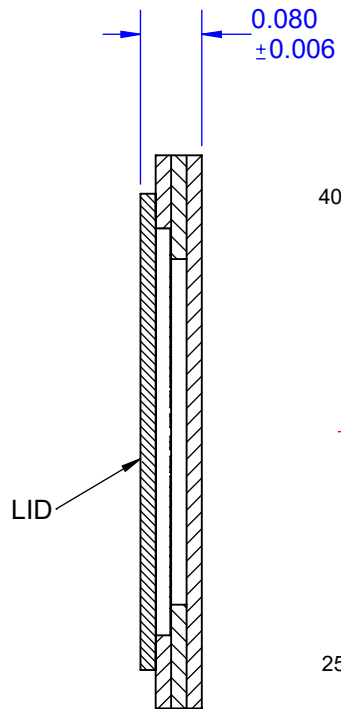


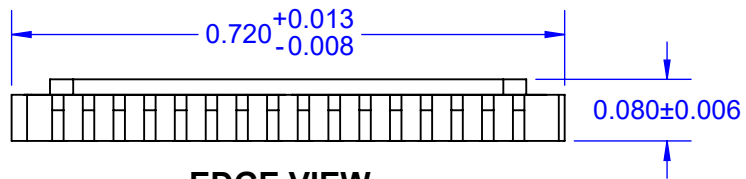
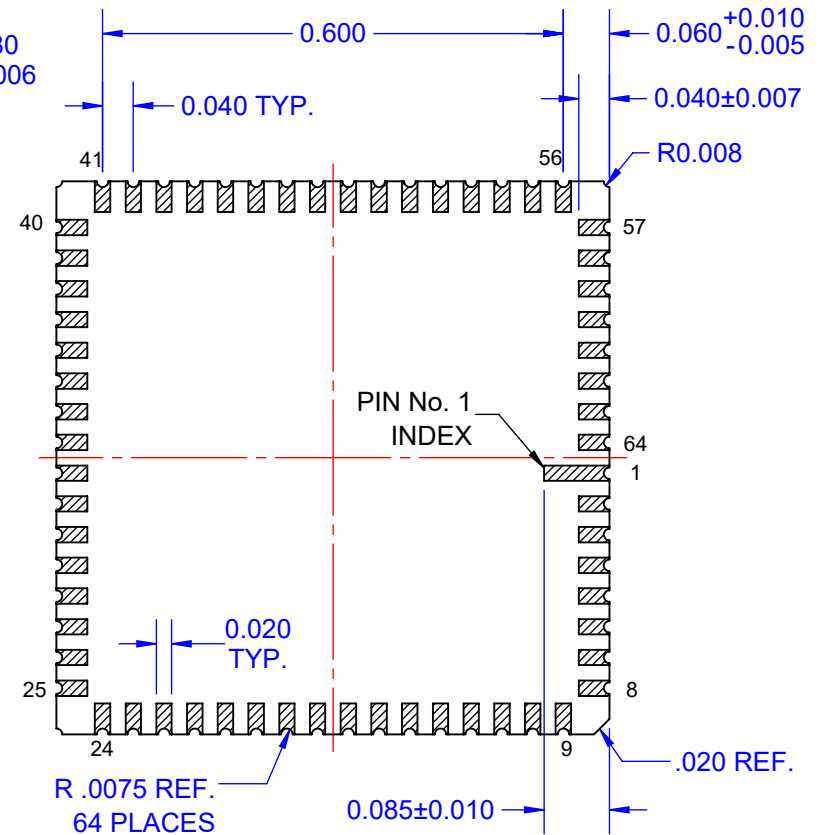
### TOP VIEW



### SIDE VIEW



### BOTTOM VIEW



### EDGE VIEW

NOTES: (Unless Otherwise Specified).

1) PLATING:

Ni 80 Micro-inch (2.0µm) MIN.

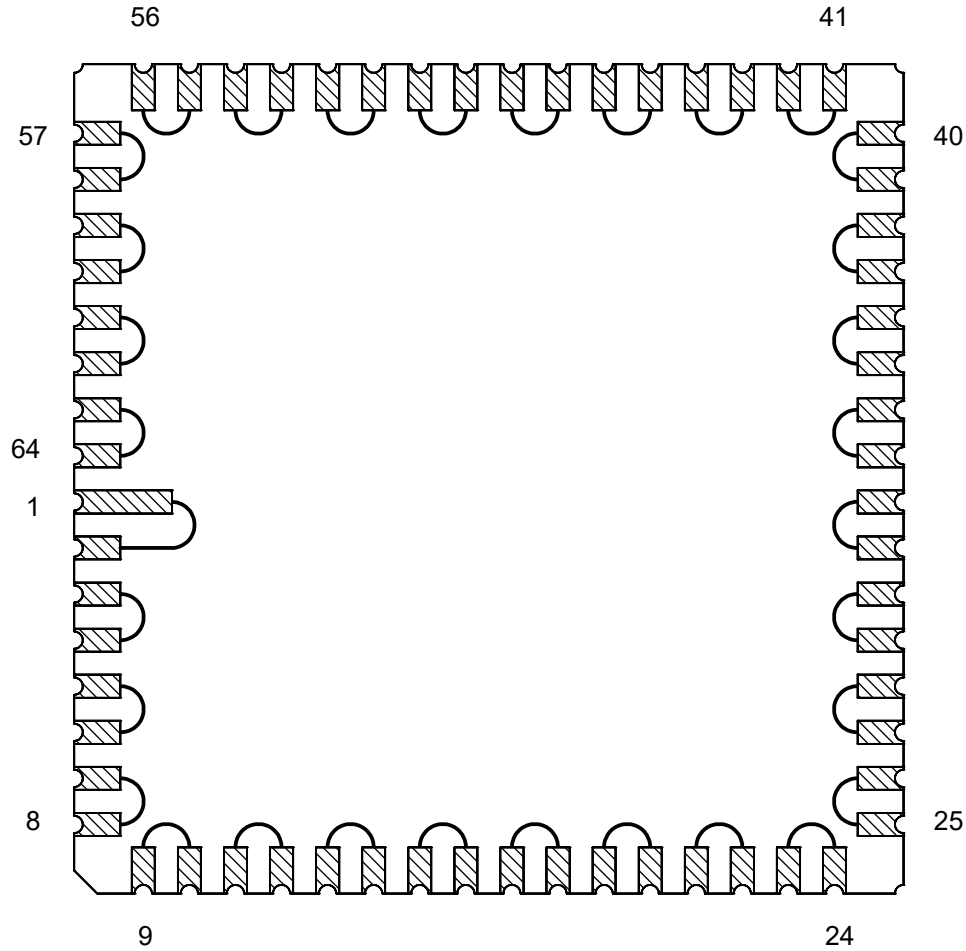
Au 60 Micro-inch (1.5µm) MIN.

2) DIMENSION in INCH.

PART NUMBER	COVER	PLATING	DAISY CHAIN
LCC64B40SQ.72	SEALED	NiAu	NO
LCC64B40SQ.72-SC	SEALED	SnPb	NO
LCC64B40SQ.72-DE	SEALED	NiAu	YES
LCC64B40SQ.72-DE-SC	SEALED	SnPb	YES

APPROVALS	DATE	<b>TopLine®</b>			
DRAWN T. Au	6/16/2021	TITLE LCC64B40SQ.72 LEADLESS CHIP CARRIER			
ENG M. Hart	6/16/2021				
MFG		SCALE 4:1	SIZE A	DRAWING NO. 156401	REV A
QA		DO NOT SCALE DRAWING			SHEET 1 OF 3
CUST					
REVISED					

# DAISY CHAIN VIEW FROM TOP

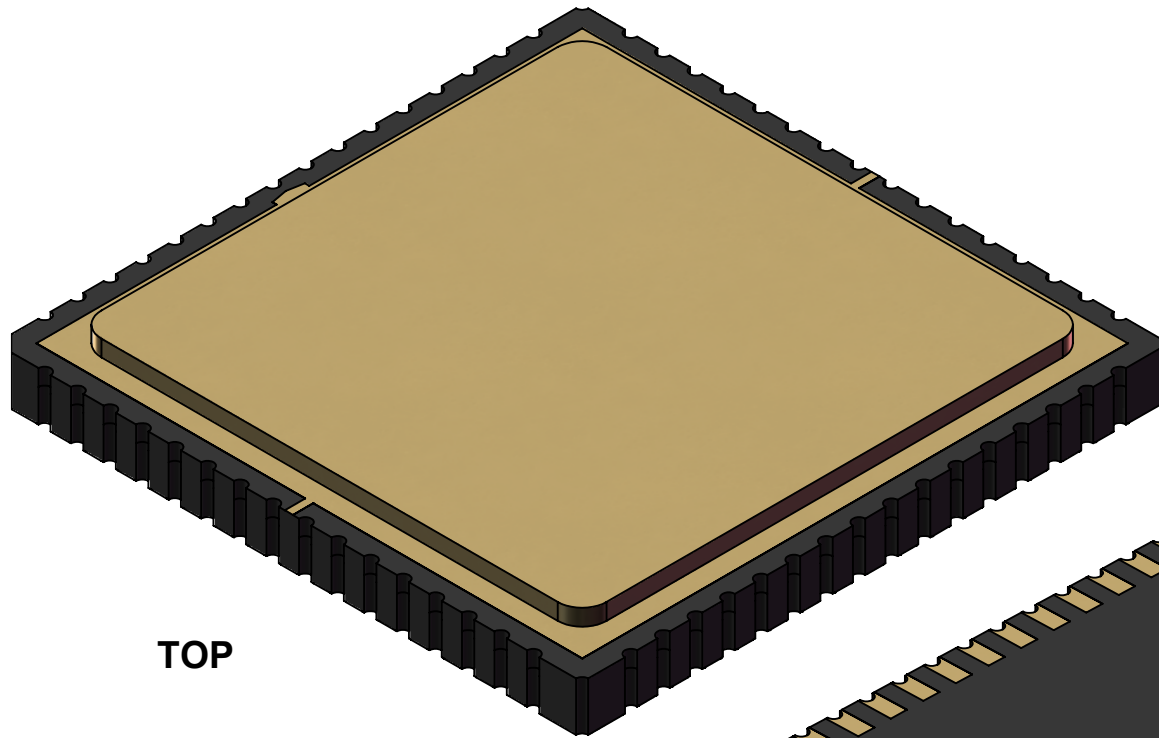


DAISY CHAIN NET LIST					
PINS	PINS	PINS	PINS	PINS	PINS
1 ~ 2	13 ~ 14	25 ~ 26	37 ~ 38	49 ~ 50	61 ~ 62
3 ~ 4	15 ~ 16	27 ~ 28	39 ~ 40	51 ~ 52	63 ~ 64
5 ~ 6	17 ~ 18	29 ~ 30	41 ~ 42	53 ~ 54	
7 ~ 8	19 ~ 20	31 ~ 32	43 ~ 44	55 ~ 56	
9 ~ 10	21 ~ 22	33 ~ 34	45 ~ 46	57 ~ 58	
11 ~ 12	23 ~ 24	35 ~ 36	47 ~ 48	59 ~ 60	

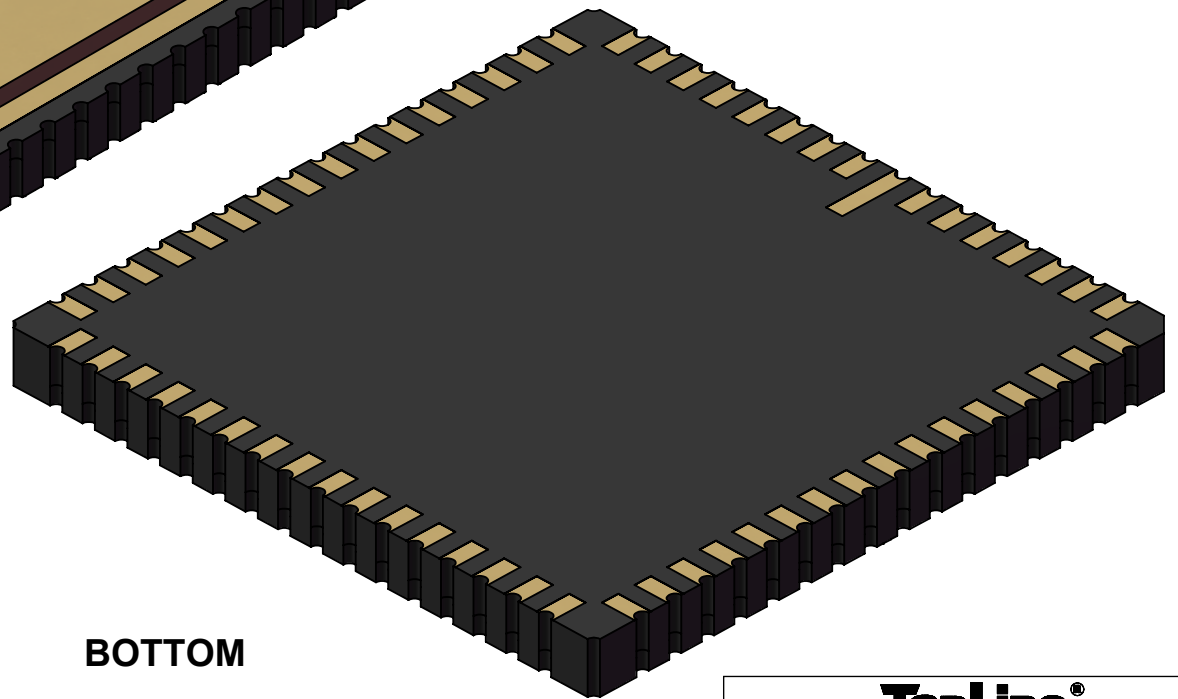
DAISY CHAIN WIRE BONDED TO INTERNAL PADS.

<b>TopLine®</b>			
TITLE LCC64B40SQ.72 LEADLESS CHIP CARRIER			
SCALE 6:1	SIZE A	DRAWING NO. 156401	REV A
DO NOT SCALE DRAWING			SHEET 2 OF 3

# MODELS



TOP



BOTTOM

**TopLine**<sup>®</sup>

TITLE LCC64B40SQ.72  
LEADLESS CHIP CARRIER

SCALE 6:1	SIZE A	DRAWING NO. 156401	REV A
--------------	-----------	-----------------------	----------

DO NOT SCALE DRAWING

SHEET 3 OF 3