

Part # **SRM0604**

**MELF Resistor**

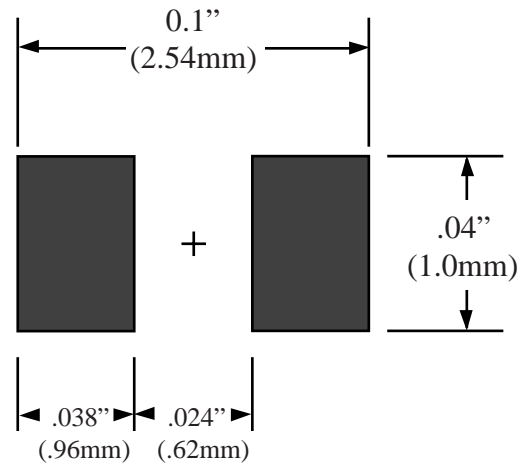
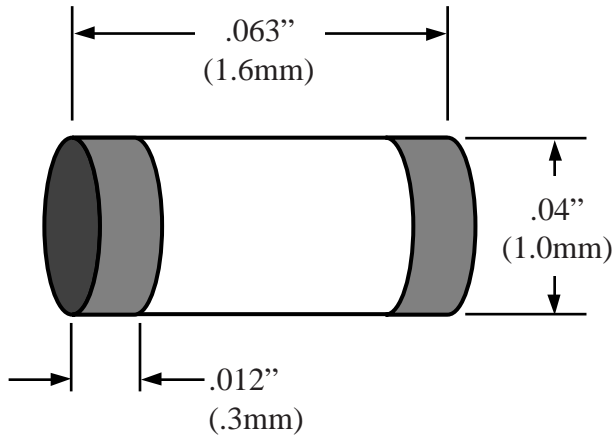
Body Size **0604**

Dwg SRM0604.pdf

**TopLine**™

Tel 1-714-898-3830

info@topline.to



Tolerance  $\pm .004''$  ( $\pm .1\text{mm}$ )

