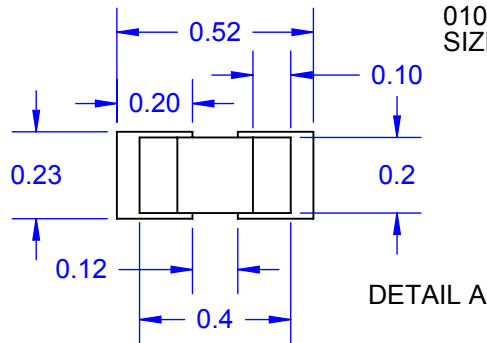
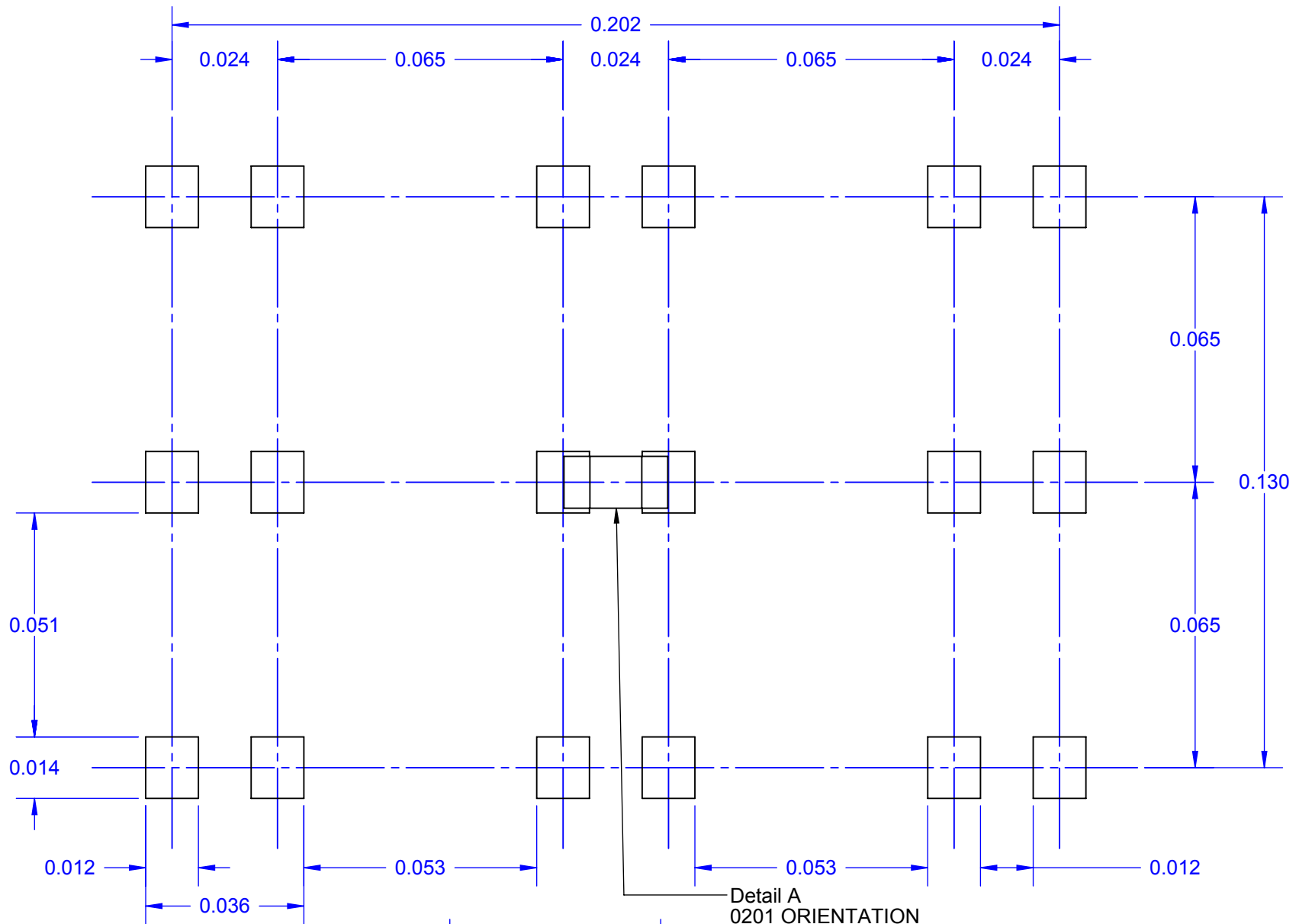


Detail A
 01005 ORIENTATION
 SIZE 0.4 x 0.2mm

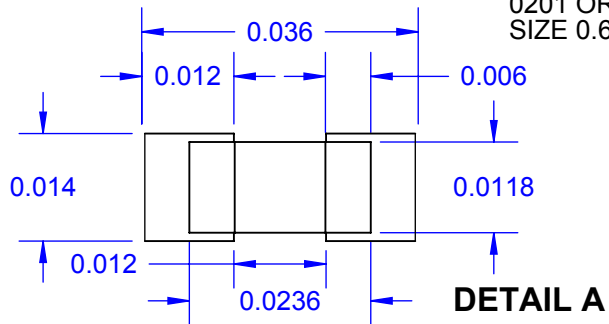


Notes: (Unless Otherwise Specified).
 1) DIMENSIONS: METRIC MM.

APPROVALS	DATE	TopLine®			
DRAWN T.Au	04/30/15				
ENG M. Hart	04/30/15	TITLE 01005 PAD DETAIL			
MFG		SCALE 35:1	SIZE A	DRAWING NO. 980000	REV A1
QA		DO NOT SCALE DRAWING			SHEET 1 OF 3
CUST					
REVISED					



Detail A
 0201 ORIENTATION
 SIZE 0.6 x 0.3mm

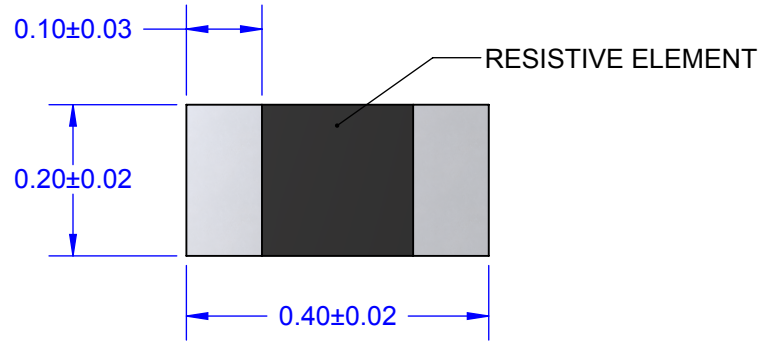


Notes: (Unless Otherwise Specified).
 1) DIMENSIONS: INCH.

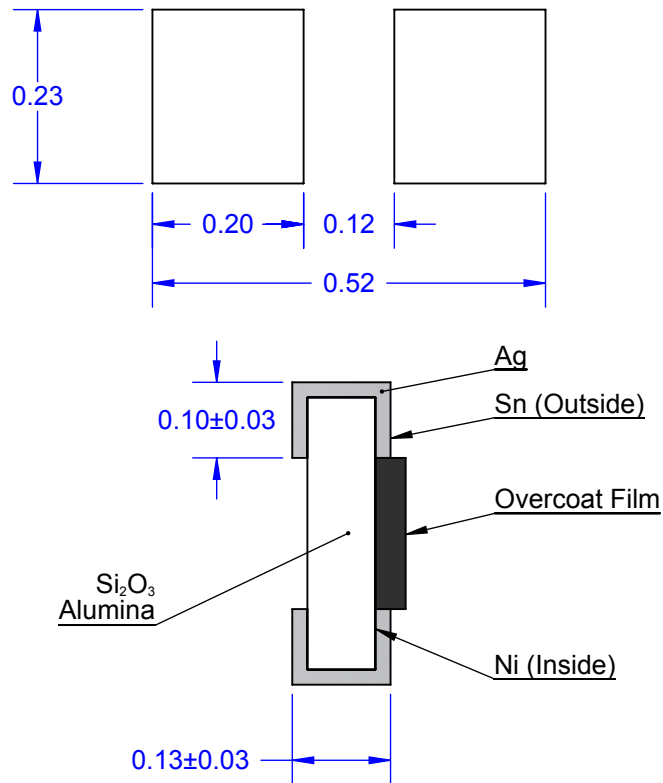
TopLine®

TITLE 0201 PAD DETAIL			
SCALE 30:1	SIZE A	DRAWING NO. 980000	REV A1
DO NOT SCALE DRAWING			SHEET 2 OF 3

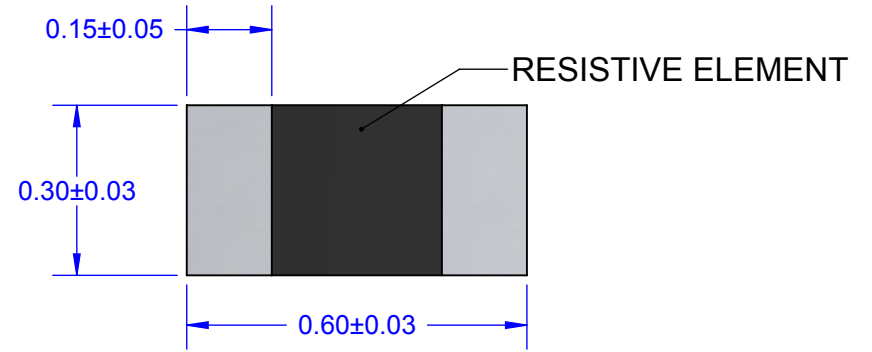
01005 TOP VIEW



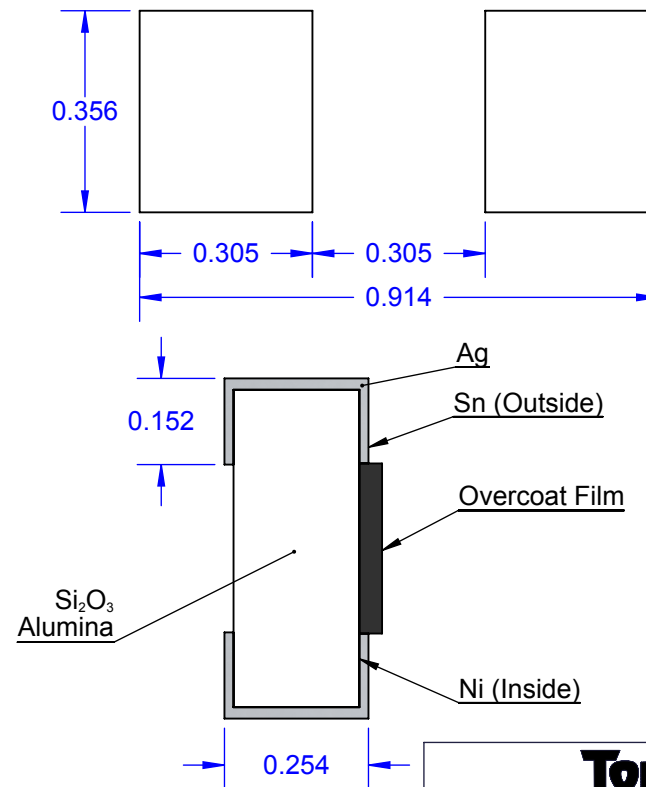
RECOMMENDED PCB PATTERN



0201 TOP VIEW



RECOMMENDED PCB PATTERN



DIMENSIONS in MM.

TopLine[®]

TITLE 01005 AND 0201
DETAIL

SCALE 100:1	SIZE A	DRAWING NO. 980000	REV A1
----------------	-----------	-----------------------	-----------

DO NOT SCALE DRAWING

SHEET 3 OF 3