

AFTER MOUNTING BGA2025 VIEW

TopLine®

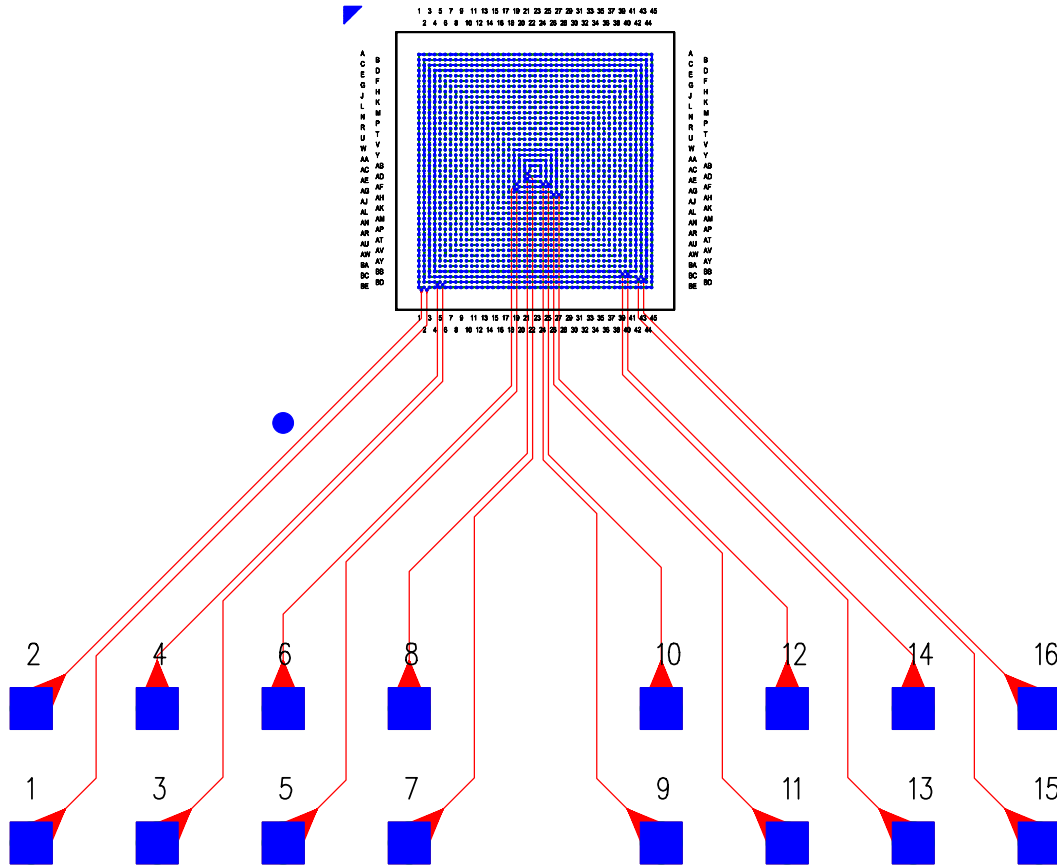
BGA 2025- 0.4MM
CLEANLINESS TEST

PN 999147 REV A


WWW.TOPLINE.TV

© 2013

TEST POINT MAP					
	ROW	TP+	TP-	BGA BALL	
OUTER	A	1	2	BE3	BE2
	B	3	4	BD6	BD5
	C	15	16	BC42	BC43
	D	13	14	BB39	BB40
INNER	W	11	12	AG26	AG27
	Y	5	6	AF20	AE20
	AA	9	10	AE24	AE25
	AB	7	8	AC22	AD22



COLOR CODE:
 BLUE = PCB TOP
 RED = PCB BOTTOM
 GREEN = BGA BOTTOM SIDE (TOP X-RAY VIEW)

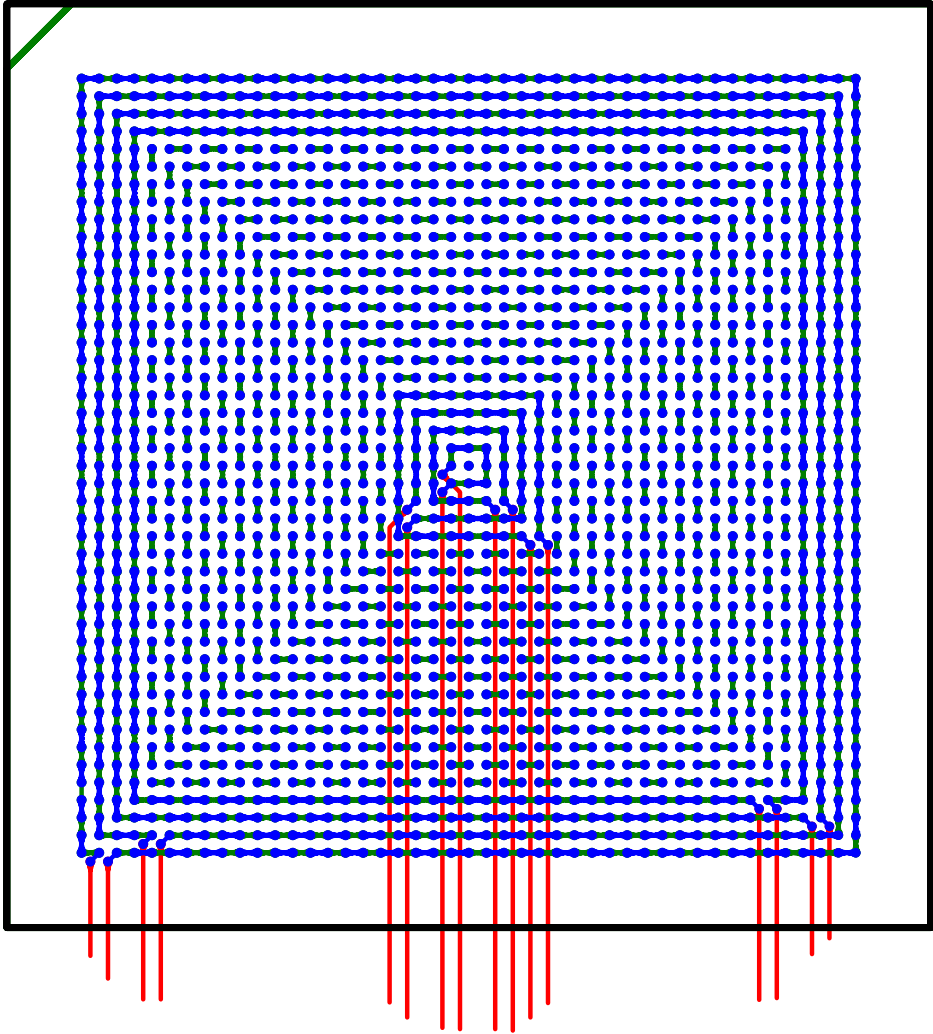
APPROVALS		DATE			
DRAWN	T. AU	05/11/13			TITLE: PWB ASSEMBLY AFTER MOUNTING BGA2025
ENGINEER	M. HART	05/11/13			
CHECKED			SIZE	DWG NO. 999147-1	REV A
APPROVED			SCALE: NOT TO SCALE		SHEET 1 OF 5
ISSUED					

BGA2025 AFTER MOUNTING (CLOSE UP VIEW)



1 3 5 7 9 11 13 15 17 19 21 23 25 27 29 31 33 35 37 39 41 43 45
 2 4 6 8 10 12 14 16 18 20 22 24 26 28 30 32 34 36 38 40 42 44

A B
 C D
 E F
 G H
 J K
 L M
 N P
 R T
 U V
 W Y
 AA AB
 AC AD
 AE AF
 AG AH
 AJ AK
 AL AM
 AN AP
 AR AT
 AU AV
 AW AY
 BA BB
 BC BD
 BE



COLOR CODE:
BLUE = PCB TOP
RED = PCB BOTTOM
GREEN = BGA BOTTOM SIDE (TOP X-RAY VIEW)

TopLine[®]		
TITLE: PWB ASSEMBLY BGA2025 AFTER MOUNTING (CLOSE UP VIEW)		
SIZE B	DWG NO. 999147-1	REV A
SCALE: NOT TO SCALE		SHEET 2 OF 5

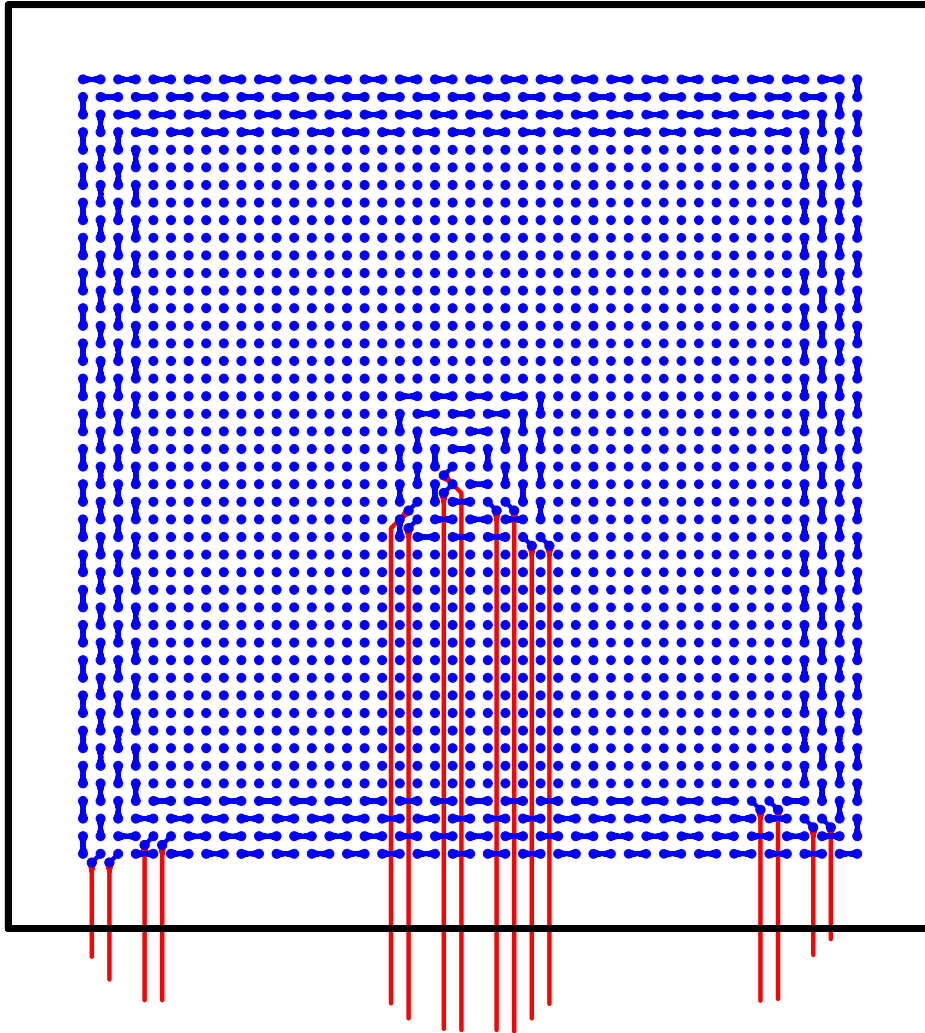
PCB LAYERS (CLOSE UP VIEW)



1 3 5 7 9 11 13 15 17 19 21 23 25 27 29 31 33 35 37 39 41 43 45
 2 4 6 8 10 12 14 16 18 20 22 24 26 28 30 32 34 36 38 40 42 44

A
C
E
G
J
L
N
R
U
W
AA
AC
AE
AG
AJ
AL
AN
AR
AU
AW
BA
BC
BE

B
D
F
H
K
M
P
T
V
Y
AB
AD
AF
AH
AK
AM
AP
AT
AV
AY
BB
BD



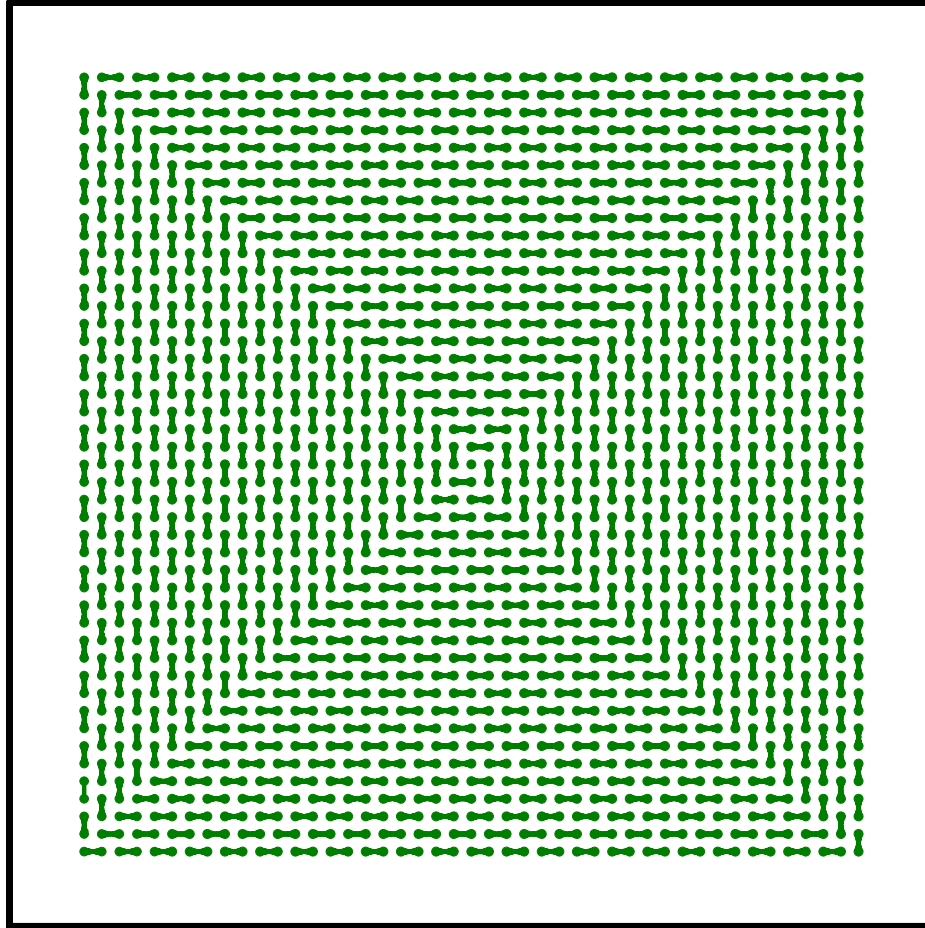
COLOR CODE:
 BLUE = PCB TOP
 RED = PCB BOTTOM

TopLine[®]		
TITLE: PWB ASSEMBLY PCB LAYERS (CLOSE UP VIEW)		
SIZE B	DWG NO. 999147-1	REV A
SCALE: NOT TO SCALE		SHEET 3 OF 5

BGA2025 BOTTOM SIDE (TOP X-RAY VIEW)

1 3 5 7 9 11 13 15 17 19 21 23 25 27 29 31 33 35 37 39 41 43 45
 2 4 6 8 10 12 14 16 18 20 22 24 26 28 30 32 34 36 38 40 42 44

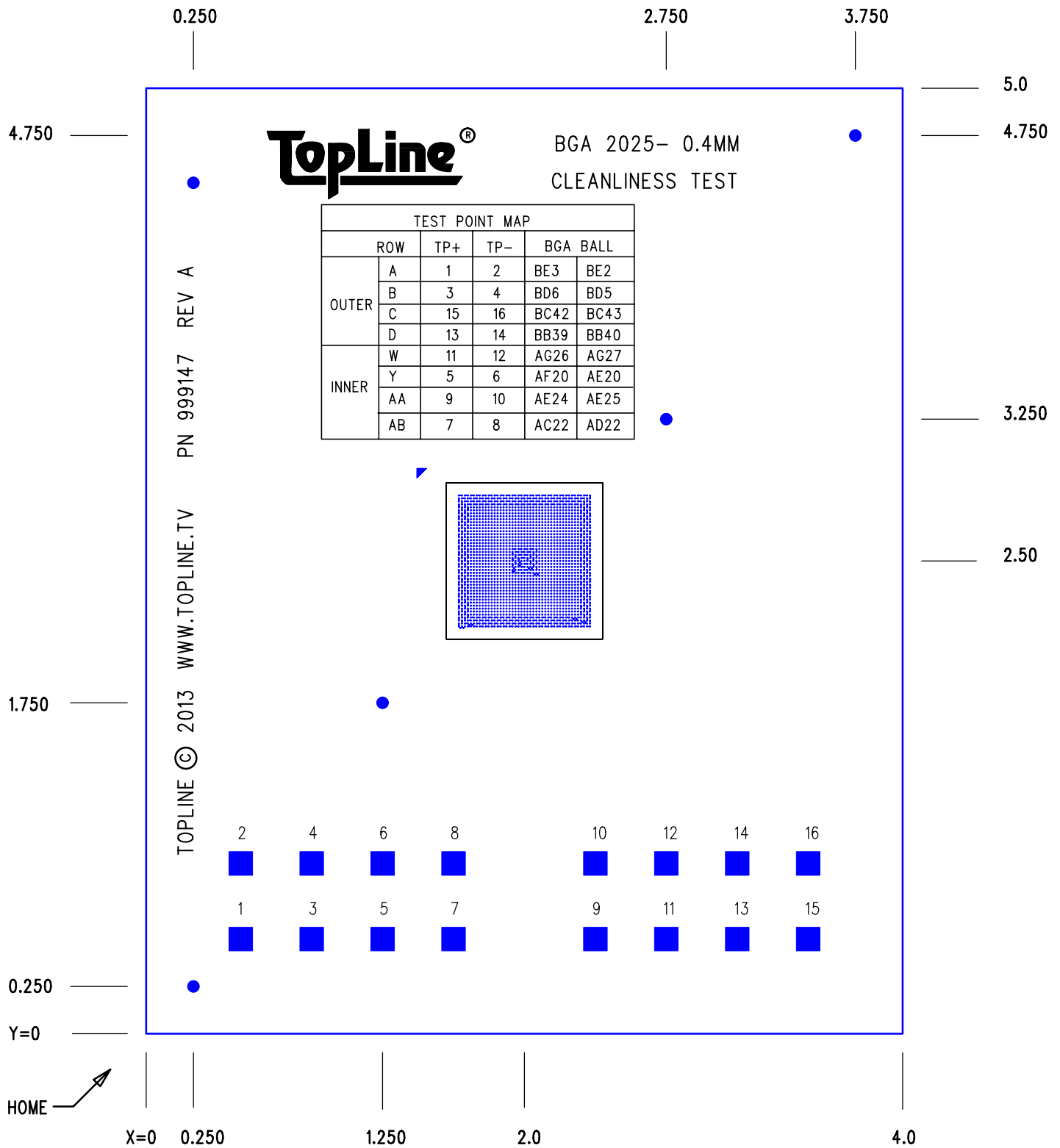
A B
 C D
 E F
 G H
 J K
 L M
 N P
 R T
 U V
 W Y
 AA AB
 AC AD
 AE AF
 AG AH
 AJ AK
 AL AM
 AN AP
 AR AT
 AU AV
 AW AY
 BA BB
 BC BD
 BE



COLOR CODE:
 GREEN = BGA BOTTOM SIDE (TOP X-RAY VIEW)

TopLine[®]		
TITLE: PWB ASSEMBLY BGA2025 UNDER TEST (CLOSE UP VIEW)		
SIZE B	DWG NO. 999147-1	REV A
SCALE: NOT TO SCALE		SHEET 4 OF 5

BGA2025 PARTS PLACEMENT



TopLine [®]		
TITLE: PWB ASSEMBLY PARTS PLACEMENT		
SIZE B	DWG NO. 999147-1	REV A
SCALE: NOT TO SCALE		SHEET 5 OF 5