

Part # SR0402-TIN

Chip Resistor

Body Size 0402

Dwg SR0402-TIN.pdf

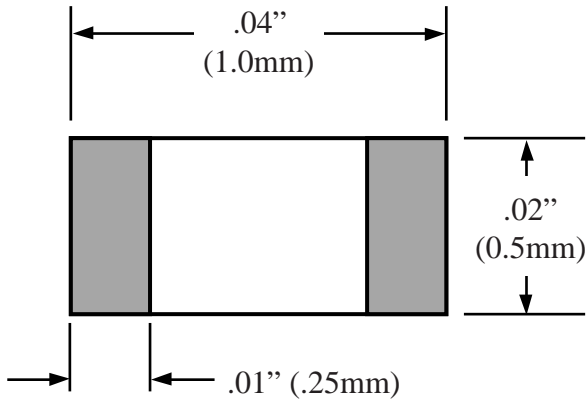


Lead Free

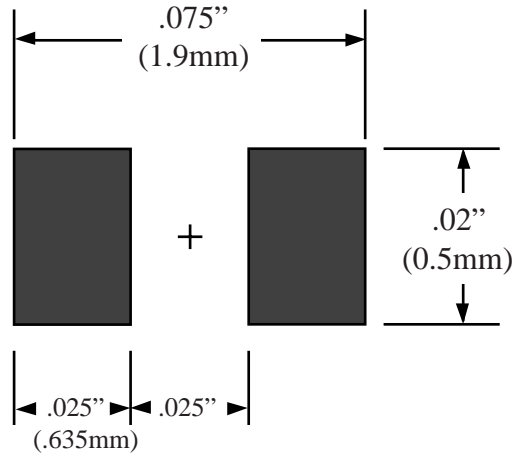
**TopLine**™

Tel 1-714-898-3830

info@topline.to

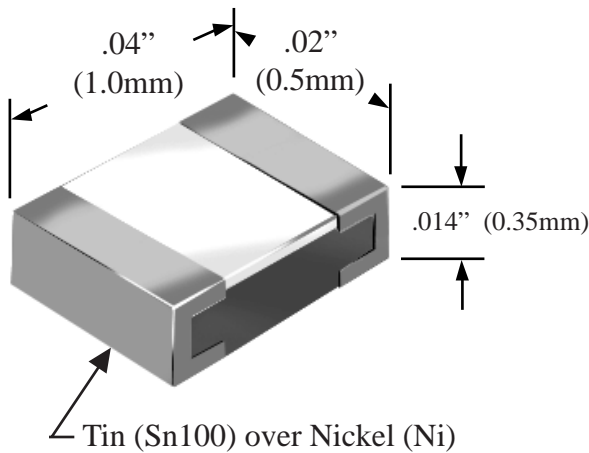


Top View

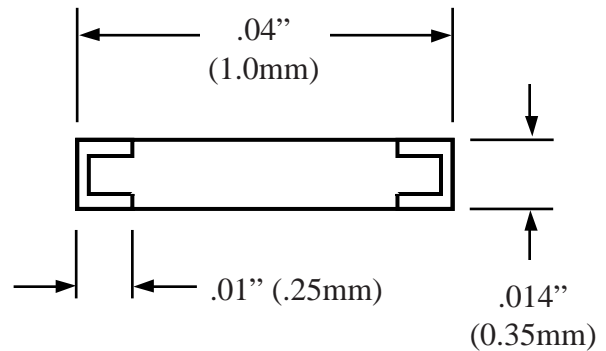


PC Board

Tolerance  $\pm .002''$  ( $\pm .05\text{mm}$ )



Quick View



Side View Detail