

Part # **SR0805-TIN**

Chip Resistor

Body Size **0805**

Dwg SR0805-TIN.pdf

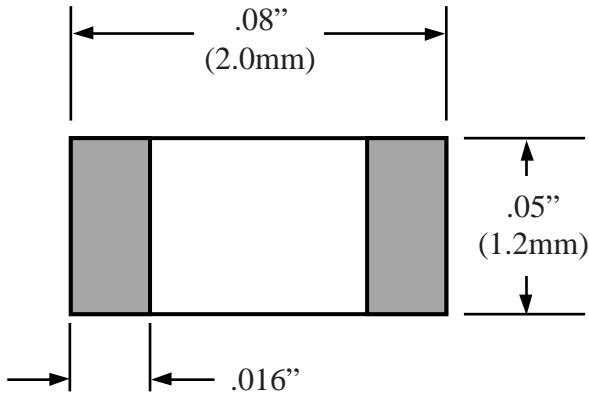


Lead Free

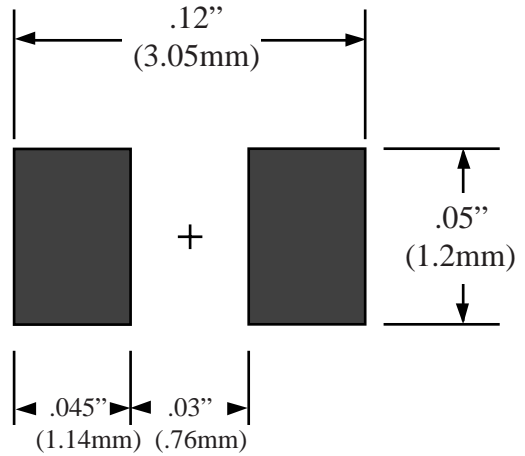
TopLine™

Tel 1-714-898-3830

info@topline.to

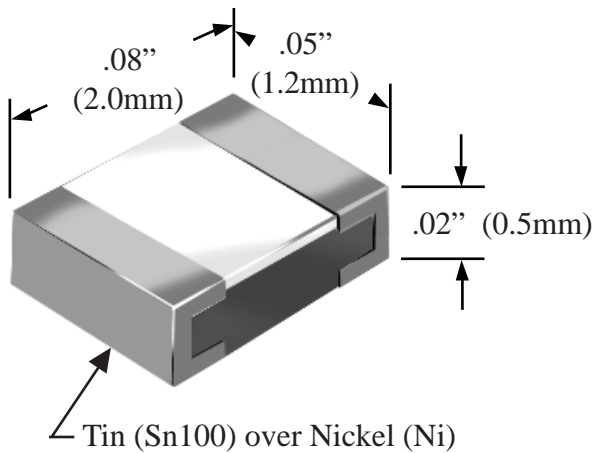


Top View



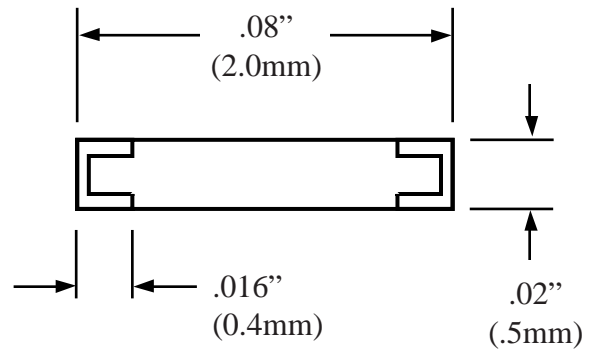
PC Board

Tolerance $\pm .004''$ ($\pm .1\text{mm}$)



Tin (Sn100) over Nickel (Ni)

Quick View



Side View Detail