


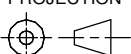
SCALE 10:1

Notes: (Unless Otherwise Specified).

- 1) DIE MATERIAL IS SILICON.
- 2) DIE THICKNESS IS 250 μm (10 MIL).
- 3) METALLIZATION 1.0 μm ALUMINUM (Al) OVER 0.75 μm SiO_2 .
- 4) DIE IS WITHOUT PASSIVATION.
- 5) WIRE BONDABLE WITH GOLD (Au) OR ALUMINUM (Al) WIRE.
- 6) DAISY CHAIN PAIRS (16 PLACES).
- 7) TOLERANCE = $\pm 1 \mu\text{m}$.

DIMENSIONS IN MICRONS
1000 μm = 1.0mm

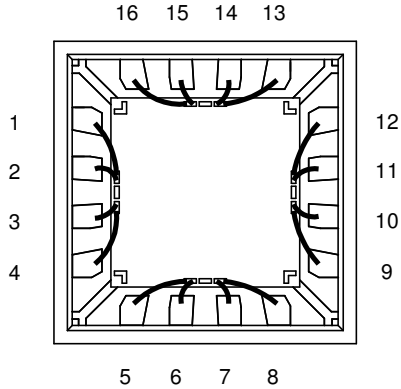
PART NUMBER SYSTEM					
TD	-	16	-	2.5	- DC
SILICON TEST DIE		BOND PADS		DIE SIZE (mm)	DAISY CHAIN

TOLERANCE UNLESS NOTED		APPROVALS	DATE				
X.XX	+/- 0.01	DRAWN J. HINES	5/7/2010				
X.XXX	+/- 0.005						
X.XXXX	+/- 0.0005						
ANGLES	+/- 0.5°	ENG		SCALE 50:1			
ALL DIMENSIONS IN		MFG					
<input checked="" type="checkbox"/> INCHES	<input type="checkbox"/> MILLIMETERS	QA					
THIRD ANGLE PROJECTION		CUST		DO NOT SCALE DRAWING			
		REVISED					

DAISY CHAIN WIRE BOND PATTERNS QFN PACKAGE

NET LIST DCW25161

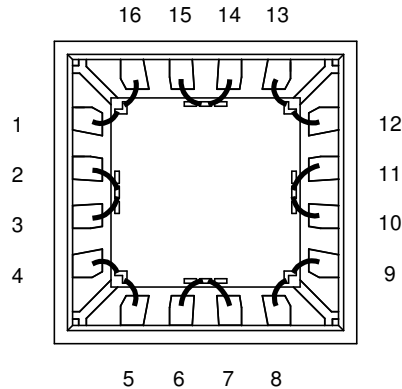
- 1-2
- 3-4
- 5-6
- 7-8
- 9-10
- 11-12
- 13-14
- 15-16



QFN16W.65-DCW25161
16L - 4X4mm

NET LIST DCW25162

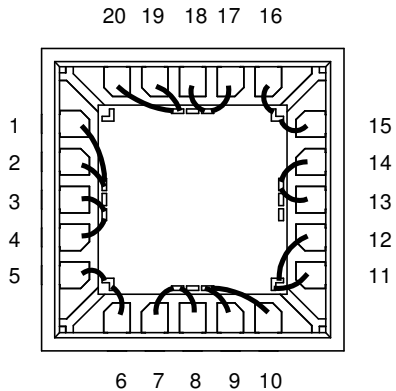
- 2-3
- 4-5
- 6-7
- 8-9
- 10-11
- 12-13
- 14-15
- 16-1



QFN16W.65-DCW25162
16L - 4X4mm

NET LIST DCW25201

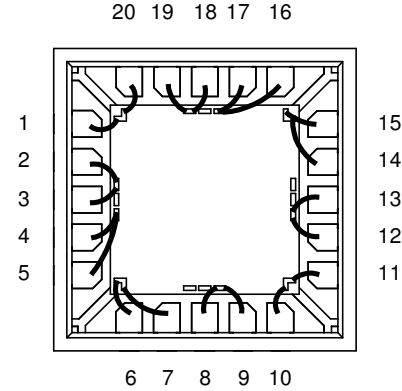
- 1-2
- 3-4
- 5-6
- 7-8
- 9-10
- 11-12
- 13-14
- 15-16
- 17-18
- 19-20



QFN20W.5-DCW25201
20L - 4X4mm

NET LIST DCW25202

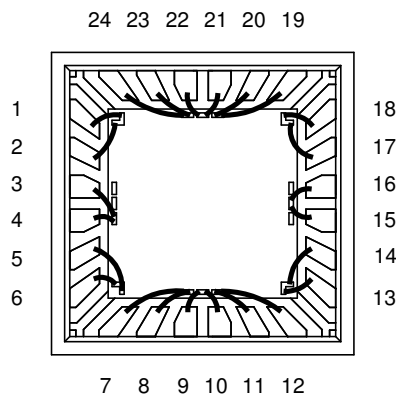
- 2-3
- 4-5
- 6-7
- 8-9
- 10-11
- 12-13
- 14-15
- 16-17
- 18-19
- 20-1



QFN20W.5-DCW25202
20L - 4X4mm

NET LIST DCW25241

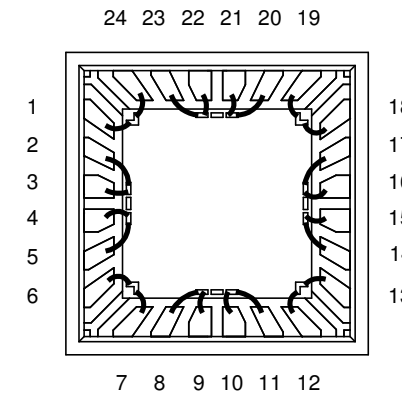
- 1-2
- 3-4
- 5-6
- 7-8
- 9-10
- 11-12
- 13-14
- 15-16
- 17-18
- 19-20
- 21-22
- 23-24



QFN24W.5-DCW25241
24L - 4X4mm

NET LIST DCW25242

- 2-3
- 4-5
- 6-7
- 8-9
- 10-11
- 12-13
- 14-15
- 16-17
- 18-19
- 20-21
- 22-23
- 24-1



QFN24W.5-DCW25242
24L - 4X4mm

DIMENSIONS IN MICRONS
1000 μm = 1.0mm

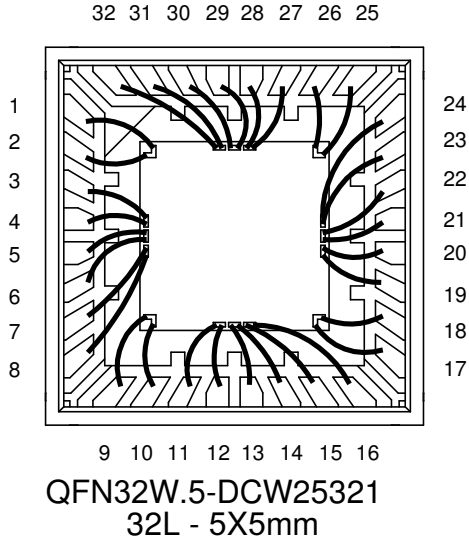
TEST DIE						
TD	-	16	-	2.5	-	DC
SILICON TEST DIE		BOND PADS		DIE SIZE (mm)		DAISY CHAIN

TopLine [®]			
TITLE		SI TEST DIE TD SERIES	
SCALE	SIZE	DRAWING NO.	REV
10:1	A	152516	A
DO NOT SCALE DRAWING			SHEET 2 OF 3

DAISY CHAIN WIRE BOND PATTERNS QFN PACKAGE

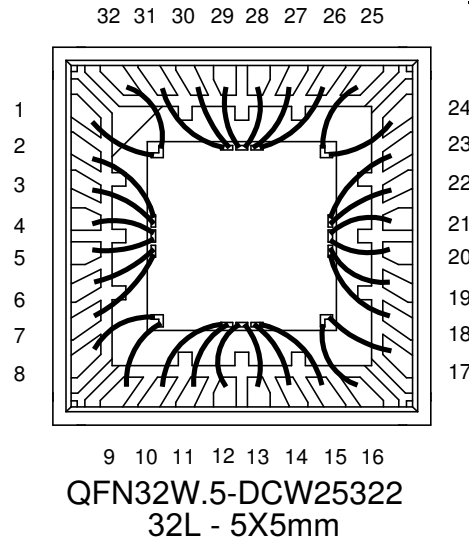
NET LIST DCW25321

- 1-2
- 3-4
- 5-6
- 7-8
- 9-10
- 11-12
- 13-14
- 15-16
- 17-18
- 19-20
- 21-22
- 23-24
- 25-26
- 27-28
- 29-30
- 31-32



NET LIST DCW25322

- 2-3
- 4-5
- 6-7
- 8-9
- 10-11
- 12-13
- 14-15
- 16-17
- 18-19
- 20-21
- 22-23
- 24-25
- 26-27
- 28-29
- 30-31
- 32-1



DIMENSIONS IN MICRONS
1000 μm = 1.0mm

TEST DIE						
TD	-	16	-	2.5	-	DC
SILICON TEST DIE		BOND PADS		DIE SIZE (mm)		DAISY CHAIN

TopLine [®]			
TITLE		SI TEST DIE TD SERIES	
SCALE	SIZE	DRAWING NO.	REV
10:1	A	152516	A
DO NOT SCALE DRAWING			SHEET 3 OF 3