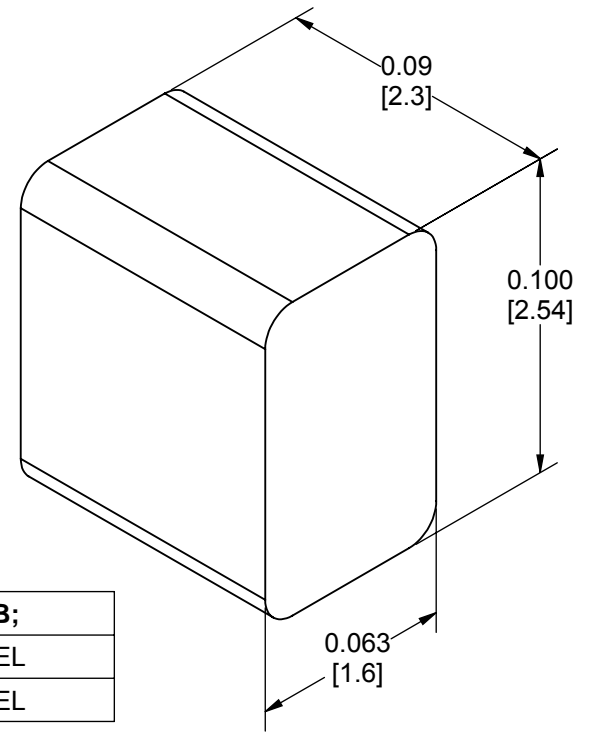


**CF-9BH5 HCB'
-B'H5 D9'F99 @**



HCD@B9'D#B	D@HB;	D57?5; -B;
SSC090610E13A-CU	BARE Cu	13" REEL
SSC090610E13A-T	Sn100	13" REEL

Notes: (Unless Otherwise Specified)

- 1) BASE: Cu COPPER C101/C102.
- 2) DESCRIPTION: COPPER SLUG.
- 3) PLATING: Sn (TIN) 100-micro-inch (2.54µm).
- 4) DEVICE IS NON-POLARIZED.
- 5) COMPONENT MARKING: NONE.
- 6) Pb-FREE RoHS COMPATIBLE.
- 7) DIMENSIONS: INCH [mm].

APPROVALS		DATE	TopLine®			
DRAWN	T. Au	9/17/2018				
ENG	M. Hart	9/17/2018	TITLE SSC090610E13A PLATED Cu SLUG			
MFG						
QA			SCALE	SIZE	DRAWING NO.	REV
CUST			10:1	A	120024	A
REVISED			DO NOT SCALE DRAWING			SHEET 1 OF 1