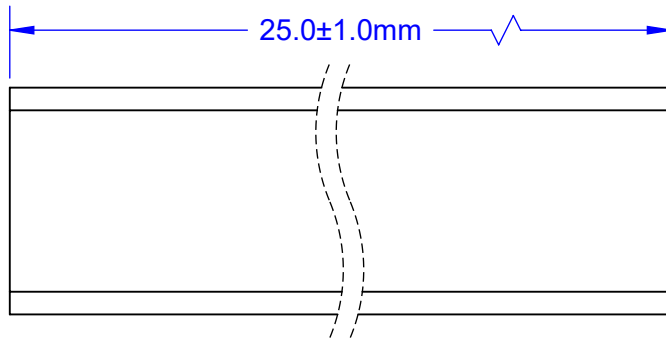
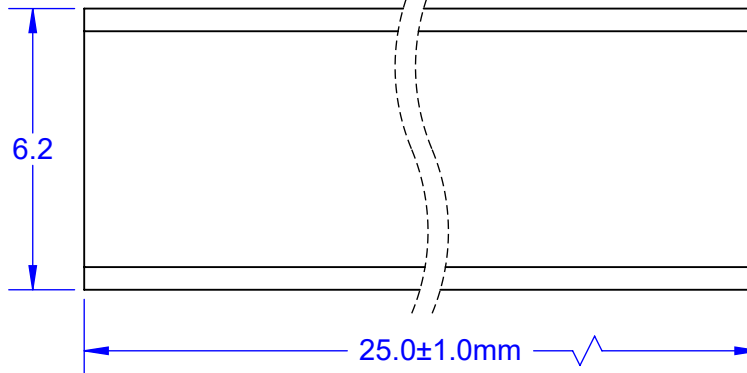


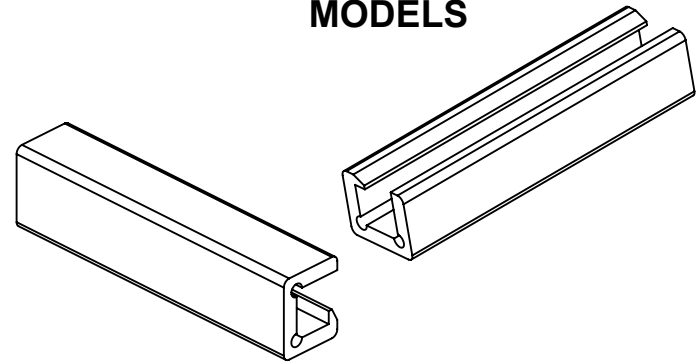
TOP



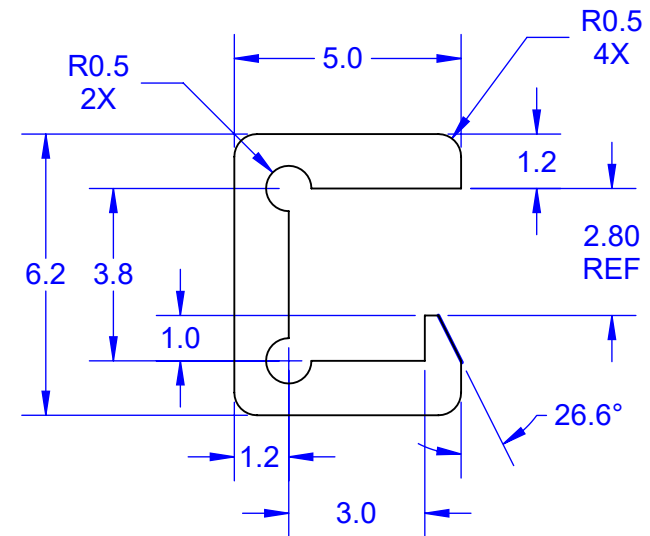
FRONT



MODELS



END



PART #	COLOR	PANTONE	RGB
126001	WHITE	1122	FFFFFF
126002	GREEN	347C	009B48
126003	BLUE	300C	65B2FF
126005	ORANGE	151C	FF6A00
126006	PURPLE	258U	93509E
126007	GOLD	1245C	C59217
126009	RED	7427C	96172E
126012	YELLOW	12-0740-TPX	F3ED7C
126013	BLACK	3C	000000
126015	LIGHT GRAY	401C	CCCCCC
126016	BROWN	463U	6C4D23

Notes: (Unless Otherwise Specified).

- 1) DIMENSIONS: MM.
- 2) MATERIAL: ANTI-STATIC NYLON.
- 3) SURFACE RESISTANCE/SQUARE $10^9 \sim 10^{11}$ OHMS.
- 4) BAKE OUT TEMPERATURE 125°C MAXIMUM.

APPROVALS	DATE				
DRAWN T. Au	12/24/2023				
ENG M. Hart	12/24/2023	TITLE COLOR TRAY CLIPS (1-INCH) 126001 to 126016			
MFG		SCALE	SIZE	DRAWING NO.	REV
QA		4:1	A	126000	B
CUST		DO NOT SCALE DRAWING			SHEET 1 OF 2
REVISED					

CUSTOM CLIP MARKING QUESTIONNAIRE

Date _____

Contact _____ Title _____

Company _____ Tel _____

Project # _____ email _____

A. CLIP SIZE: 25mm (1.0-inch) 50mm (2.0-inch) OTHER: _____

B. COLOR: _____ C. TOPLINE CLIP# _____ D. Max Bake Temp _____ °C

E. HORIZONTAL POSITIONING OF TEXT ON CLIP: CENTER LEFT RIGHT

F. MARK

1	2	3	4	5	6	7	8

G. Usage Forecast: First Time: _____ Estimated Annual Usage _____

H. Clip will be used on this JEDEC TRAY: Tray Drawing Attached

Tray Brand _____ Tray Part# _____

Return completed questionnaire to TopLine email: sales@TopLine.tv

TopLine[®]			
TITLE COLOR TRAY CLIPS (1-INCH) 126001 to 126016			
SCALE NONE	SIZE A	DRAWING NO. 126000	REV B
DO NOT SCALE DRAWING		SHEET 2 OF 2	