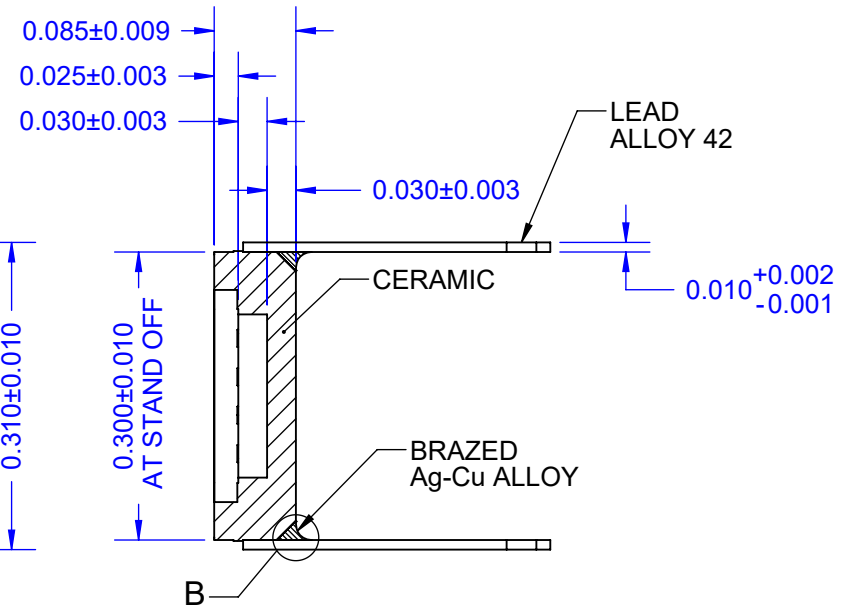
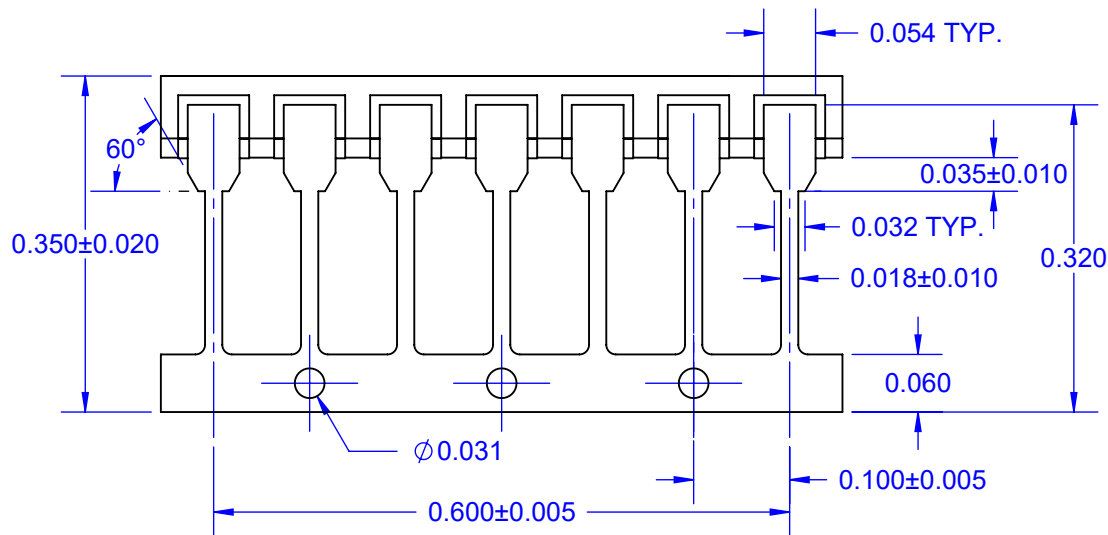


DIE PAD
0.170 x 0.260-inch
4.3 x 6.6mm



DETAIL B
SCALE 10 : 1

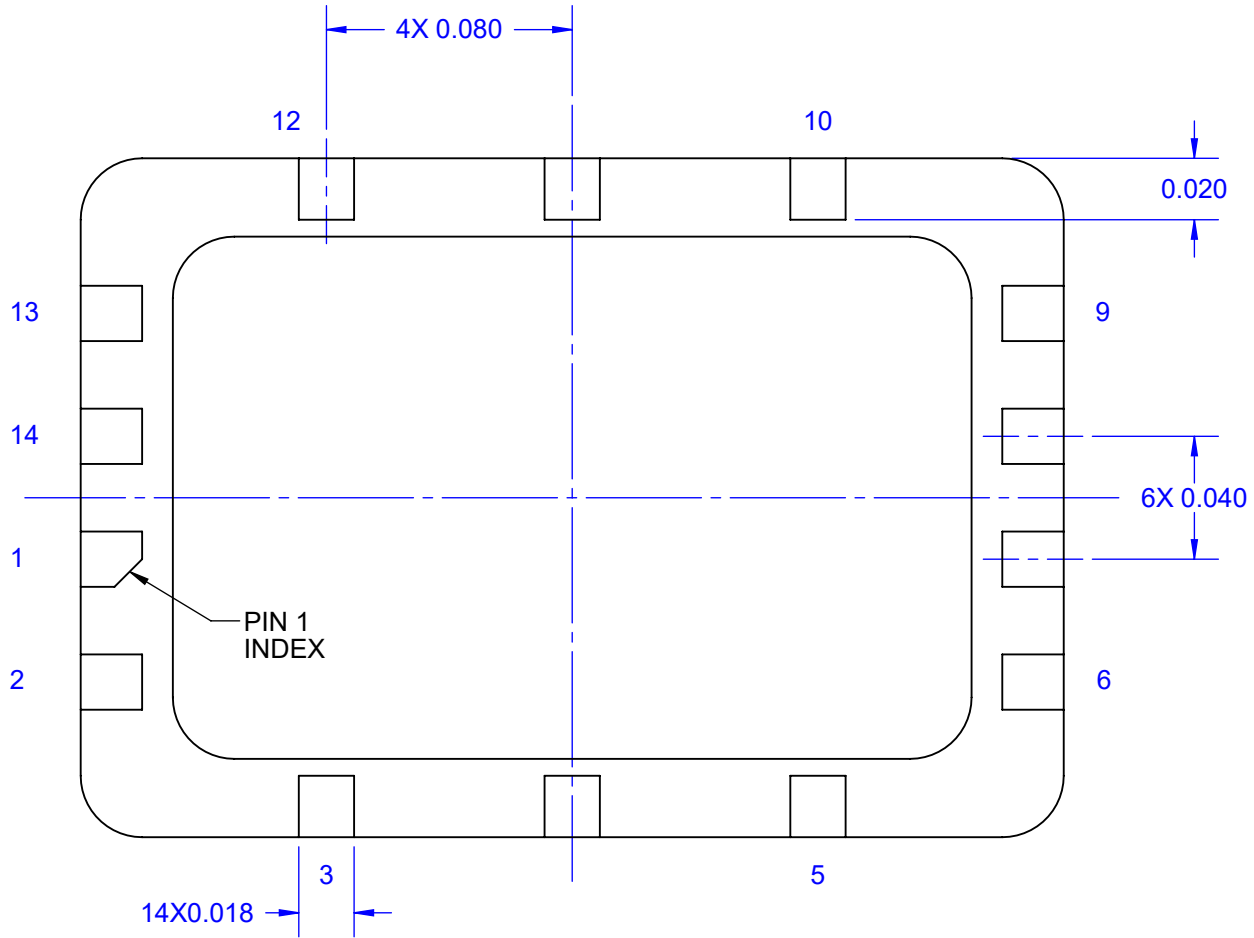


- NOTES: (Unless Otherwise Specified).
1. GOLD PLATE 60 micro-inch over 100 micro-inch (MIN) NICKEL.
 2. SEAL AREA TO BE METALLIZED.
 3. SEE PART NUMBER TABLE FOR DIE ATTACH METALLIZATION.
 4. SEAL RING AND DIE ATTACH PAD TO BE FLOATING FROM ANY PINS.
 5. LEAD RESISTANCE: 0.20 OHM MAX.
 6. TOLERANCE ± 0.005 -INCH UNLESS OTHERWISE SPECIFIED.
 7. CERAMIC (Al_2O_3 BLACK) SIDE-BRAZE PACKAGE KOVAR LEAD FRAME WITH GOLD METALLIZATION.

PART NUMBER TABLE		
PART NUMBER	DIE PAD	DWG
CERDIP14F3-N170x260	GOLD	168660

APPROVALS		DATE				
DRAWN	T.Au	04/16/16				
ENG	M. Hart	04/16/16	TITLE		CERDIP-14F3-N170x260 DIE PAD 4.3mm x 6.6mm	
MFG			SCALE	SIZE	DRAWING NO.	REV
QA			5:1	A	168660	A
CUST			DO NOT SCALE DRAWING			SHEET 1 OF 3
REVISED						

BONDING PADS

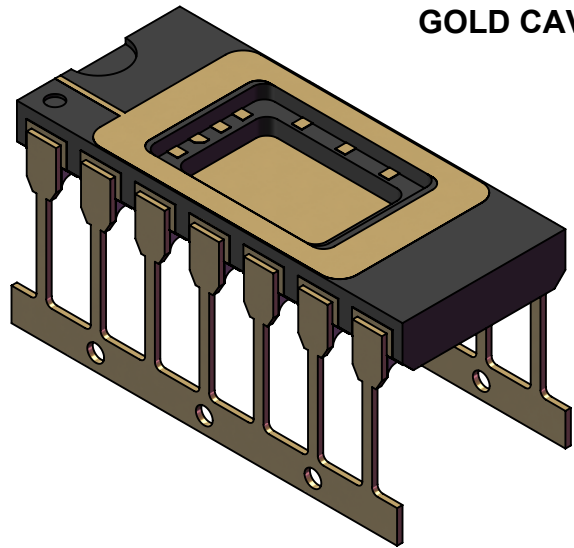


DIE PAD
0.170 x 0.260-inch
4.3 x 6.6mm

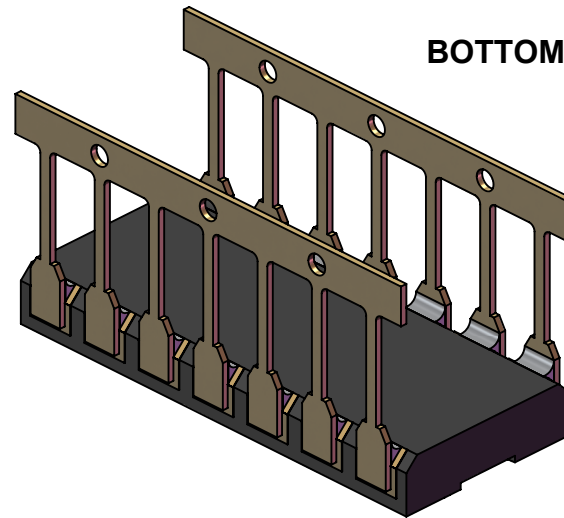
PART NUMBER TABLE		
PART NUMBER	DIE PAD	DWG
CERDIP14F3-N170x260	GOLD	168660

TopLine®			
TITLE CERDIP-14F3-N170x260 DIE PAD 4.3mm x 6.6mm			
SCALE 5:1	SIZE A	DRAWING NO. 168660	REV A
DO NOT SCALE DRAWING			SHEET 2 OF 3

MODELS



GOLD CAVITY



BOTTOM VIEW

PART NUMBER TABLE		
PART NUMBER	DIE PAD	DWG
CERDIP14F3-N170x260	GOLD	168660

TopLine[®]			
TITLE CERDIP-14F3-N170x260 DIE PAD 4.3mm x 6.6mm			
SCALE 5:1	SIZE A	DRAWING NO. 168660	REV A
DO NOT SCALE DRAWING			SHEET 3 OF 3