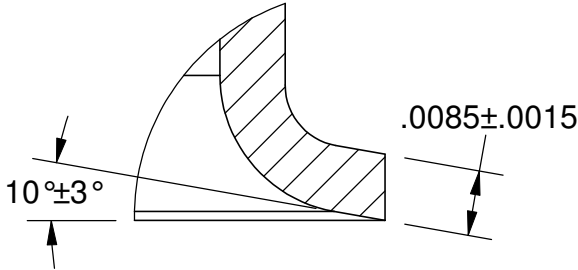
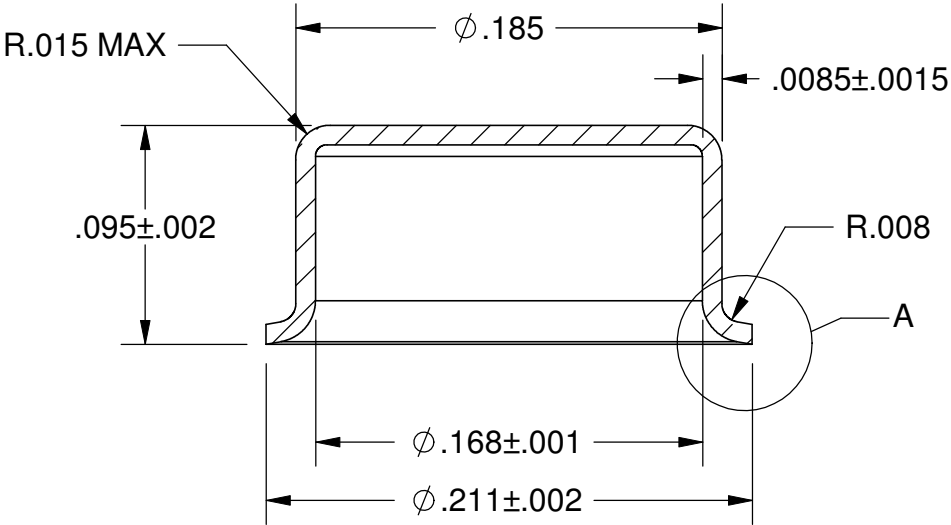
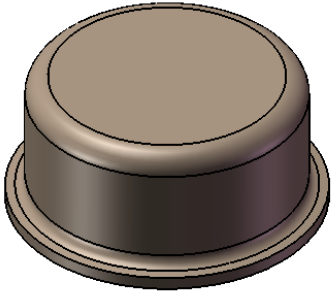
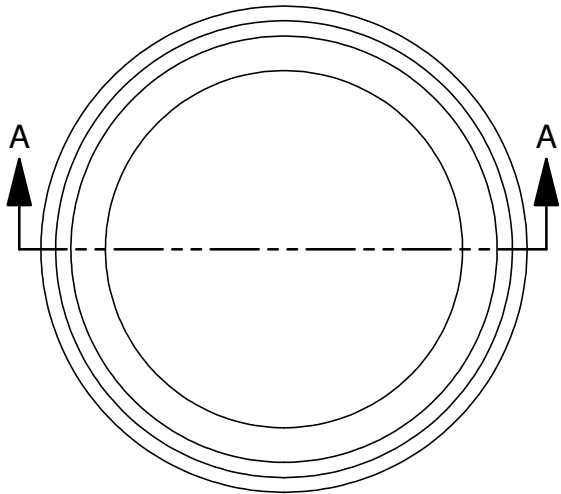


SECTION A-A



DETAIL A  
SCALE 40 : 1



ISOMETRIC VIEW

- Notes: (Unless Otherwise Specified).
- 1) CAN - CAP - LID FOR TO-18 AND TO-46.
  - 2) NICKEL PLATED.
  - 3) WITHOUT WELD PROJECTION.
  - 4) DIMENSIONS IN INCH.

APPROVALS		DATE	<b>TopLine</b> <sup>®</sup>			
DRAWN J. Hines		8/5/2014				
ENG M. Hart		8/5/2014	TITLE TO-18 CAN, 0.095" H WITHOUT WELD PROJECTION			
MFG			SCALE 12:1	SIZE A	DRAWING NO. 151808	REV A
QA						
CUST			DO NOT SCALE DRAWING		SHEET 1 OF 1	
REVISED						