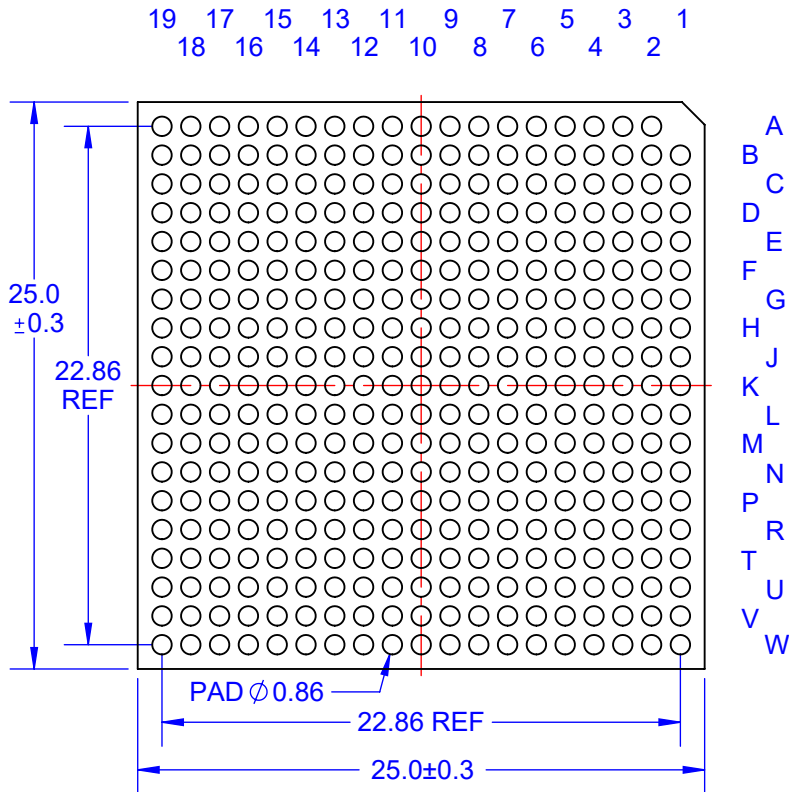
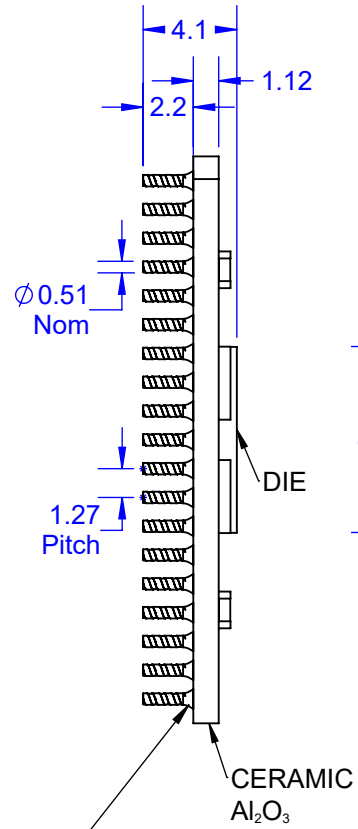
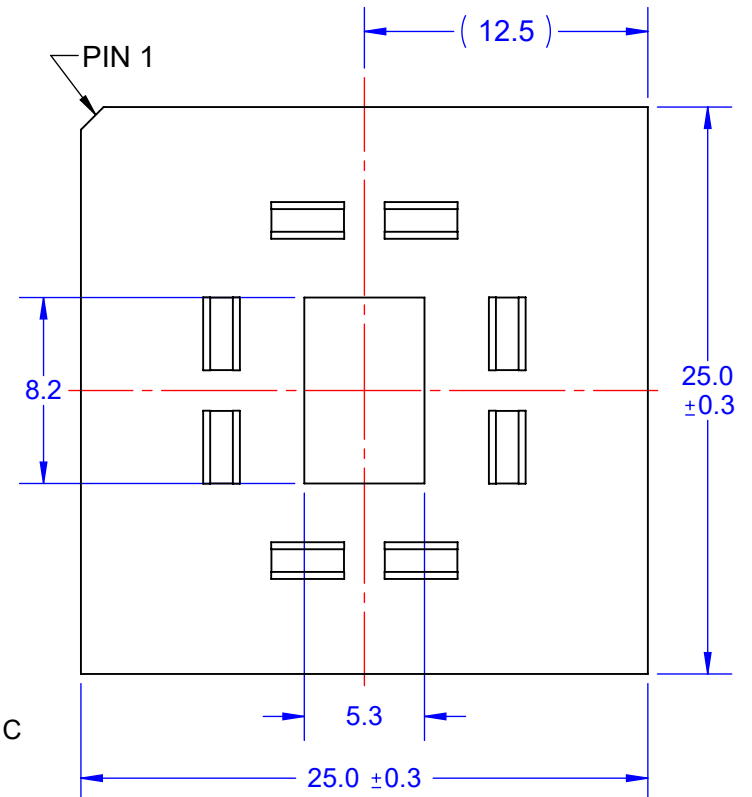


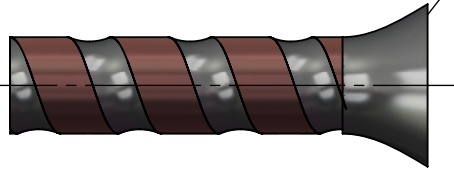
### BOTTOM VIEW



### TOP VIEW



Pb80/Sn20  
Cu WRAP COLUMN




Notes: (Unless Otherwise Specified)

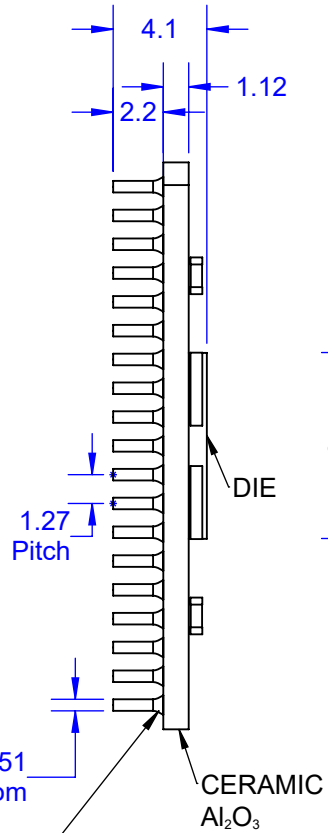
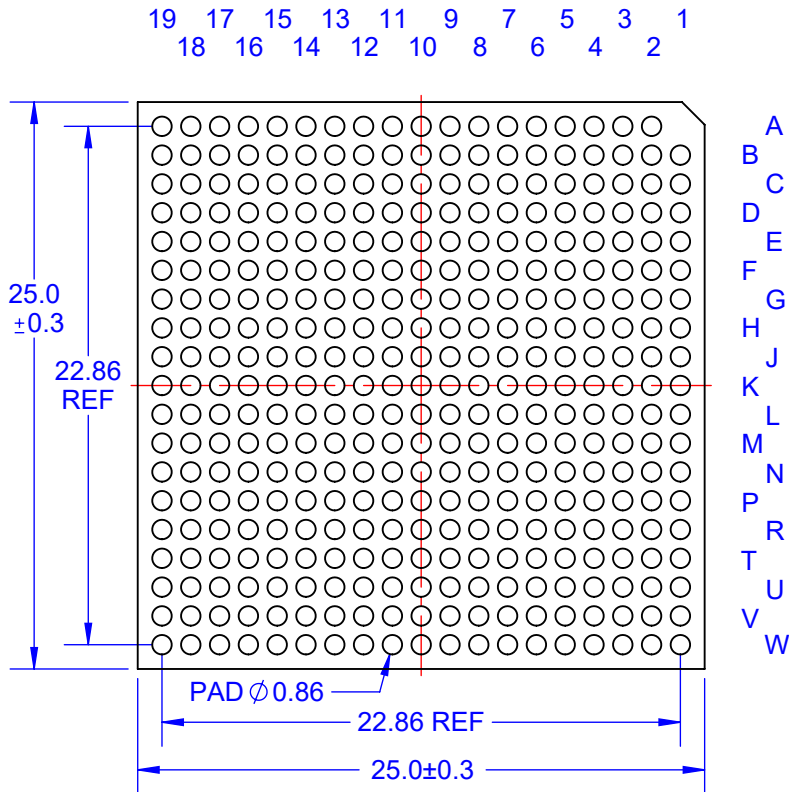
- 1) DIMENSION: mm.
- 2) SHOWN WITH Pb80/Sn20 Cu WRAP COLUMNS.
- 3) CAPACITORS: 1.6 x 3.2 x 0.5 MM.
- 4) DIE SIZE: 5.3 x 8.2 x 0.8 MM.
- 5) PART NUMBER: CCGA360T1.27-D.

#### PART NUMBER OPTIONS

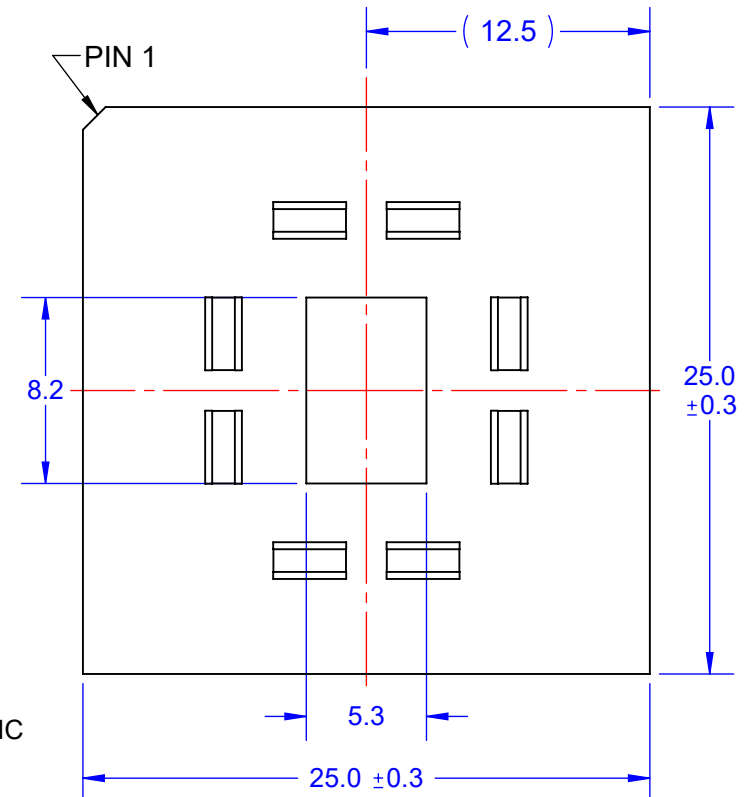
PART NUMBER	DUMMY DIE	SOLDER PIN	HEATSINK
CCGA360T1.27-D	YES	Pb80/Sn20 Cu RIBBON	NO

APPROVALS	DATE				
DRAWN T.Au	10/24/2023				
ENG M. Hart	10/24/2023	TITLE CCGA360T1.27-D COLUMN GRID ARRAY			
MFG					
QA		SCALE 3:1	SIZE A	DRAWING NO. 160079	REV A
CUST		DO NOT SCALE DRAWING			SHEET 1 OF 9
REVISED					

### BOTTOM VIEW



### TOP VIEW



Pb90/Sn10  
WIRE COLUMN



Notes: (Unless Otherwise Specified)

- 1) DIMENSION: mm.
- 2) SHOWN WITH Pb90/Sn10 Cu PLAIN COLUMNS.
- 3) CAPACITORS: 1.6 x 3.2 x 0.5 MM.
- 4) DIE SIZE: 5.3 x 8.2 x 0.8 MM.
- 5) PART NUMBER: CCGA360T1.27A-D.

#### PART NUMBER OPTIONS

PART NUMBER	DUMMY DIE	SOLDER PIN	HEATSINK
CCGA360T1.27A-D	YES	Pb90/Sn10	NO

**TopLine**<sup>®</sup>

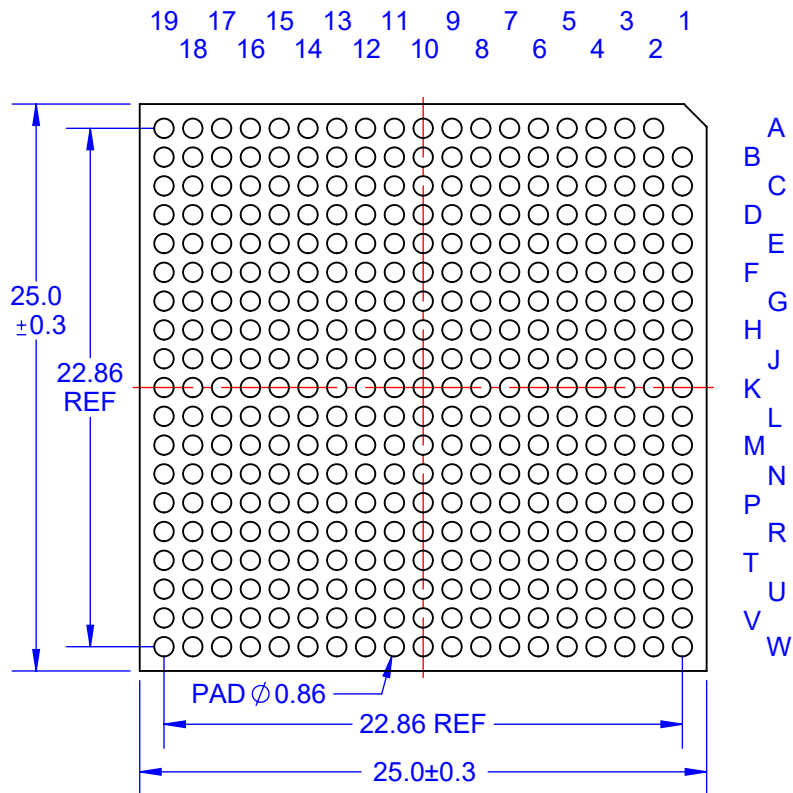
TITLE CCGA360T1.27-D  
COLUMN GRID ARRAY

SCALE 3:1	SIZE A	DRAWING NO. 160079	REV A
--------------	-----------	-----------------------	----------

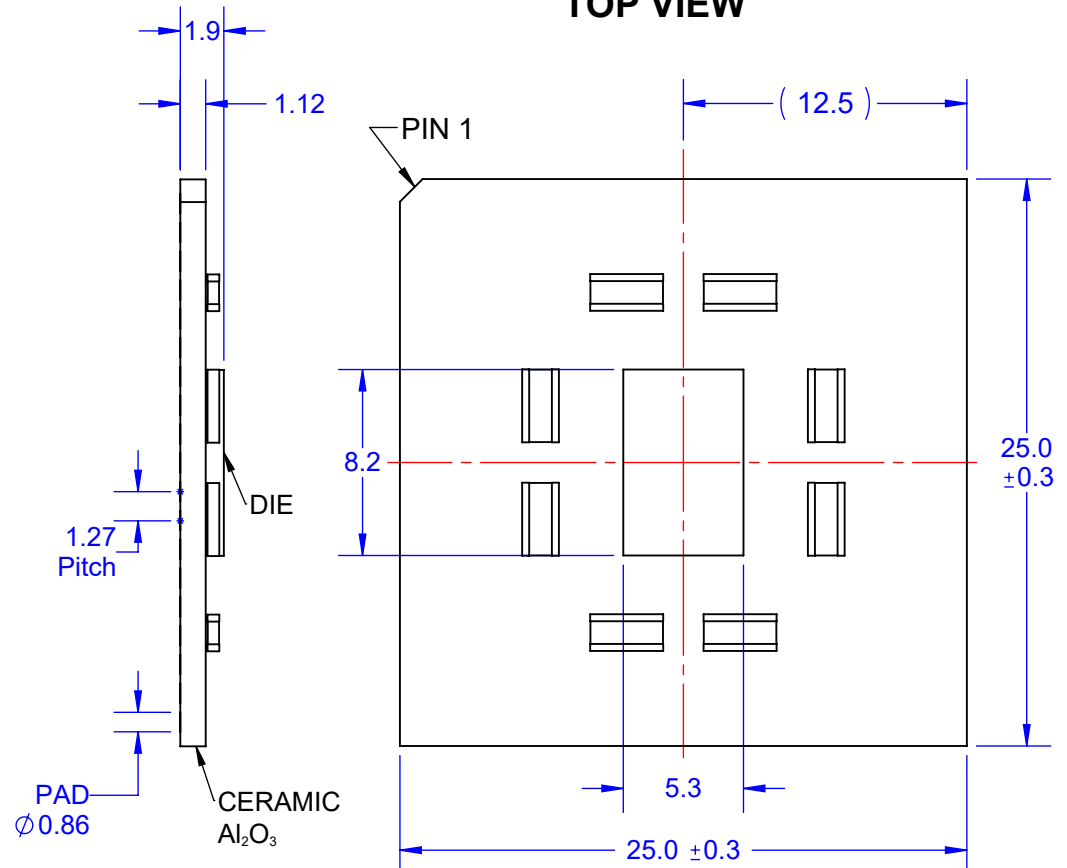
DO NOT SCALE DRAWING

SHEET 2 OF 9

### BOTTOM VIEW



### TOP VIEW



Notes: (Unless Otherwise Specified)

- 1) DIMENSION: mm.
- 2) SHOWN WITHOUT COLUMNS.
- 3) CAPACITORS: 1.6 x 3.2 x 0.5 MM.
- 4) DIE SIZE: 5.3 x 8.2 x 0.8 MM.
- 5) PART NUMBER: CLGA360T1.27-D.

#### PART NUMBER OPTIONS

PART NUMBER	DUMMY DIE	SOLDER PIN	HEATSINK
CLGA360T1.27-D	YES	NONE	NO

**TopLine**<sup>®</sup>

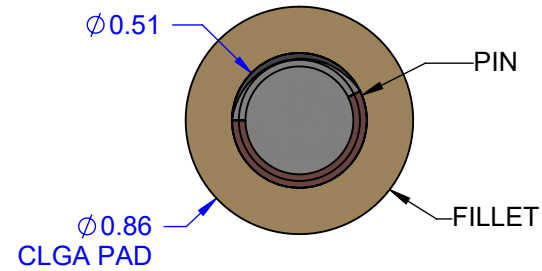
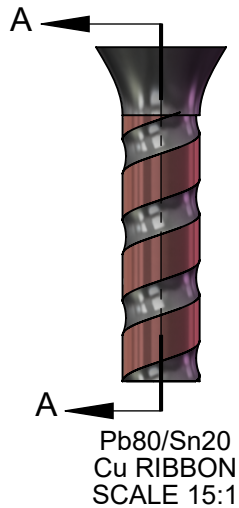
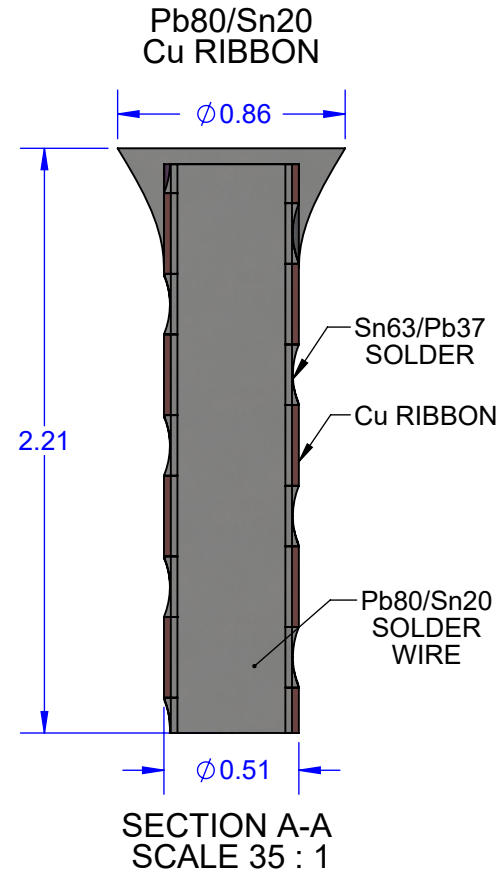
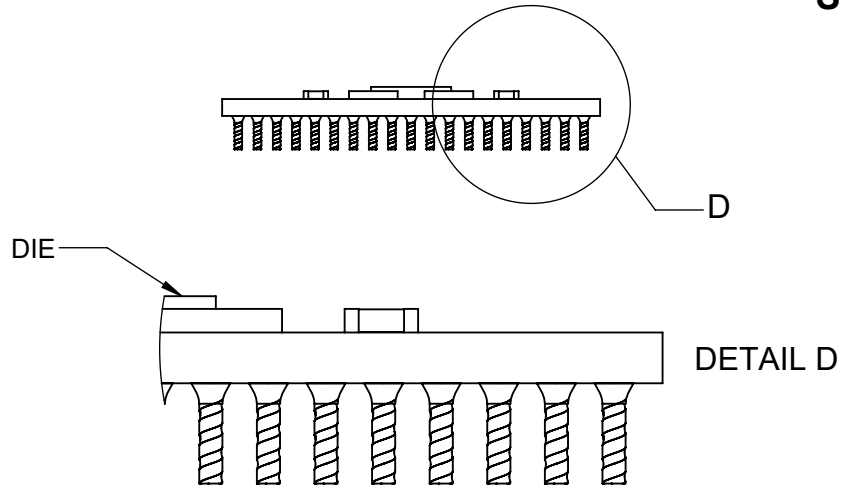
TITLE CCGA360T1.27-D  
COLUMN GRID ARRAY

SCALE 3:1	SIZE A	DRAWING NO. 160079	REV A
--------------	-----------	-----------------------	----------

DO NOT SCALE DRAWING

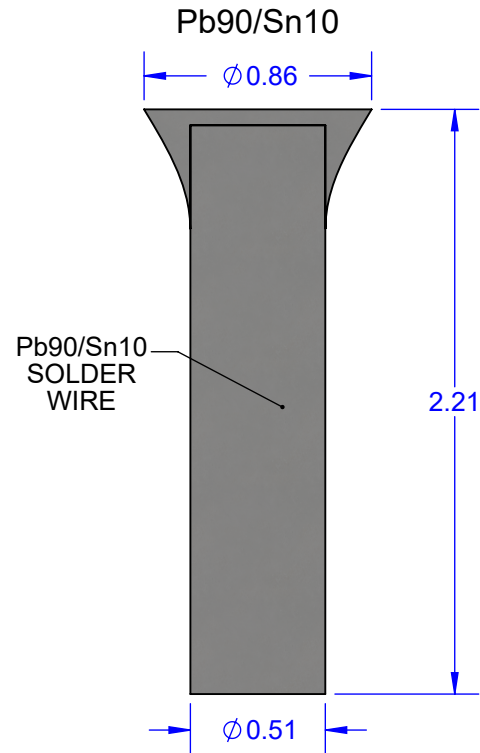
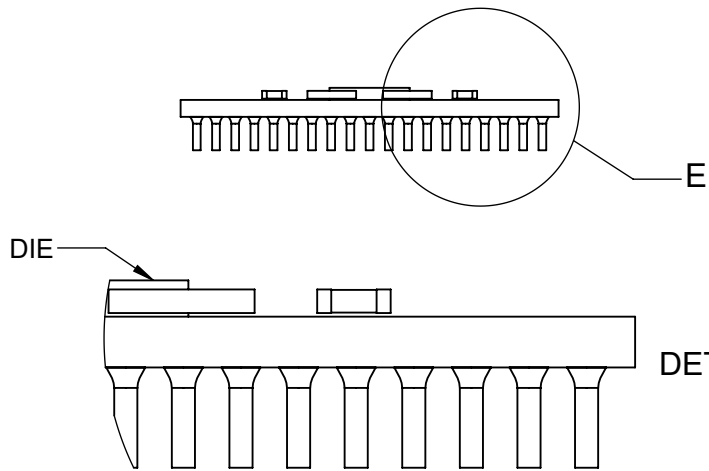
SHEET 3 OF 9

# SOLDER PIN Pb80/Sn20

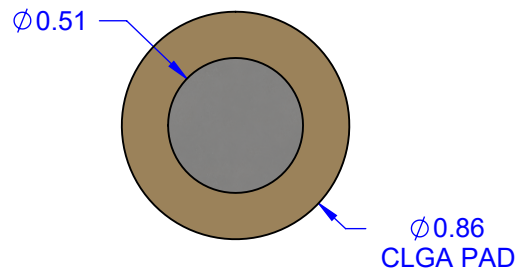
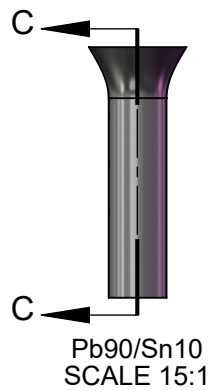


<b>TopLine®</b>			
TITLE CCGA360T1.27-D COLUMN GRID ARRAY			
SCALE 1.75:1	SIZE A	DRAWING NO. 160079	REV A
DO NOT SCALE DRAWING			SHEET 4 OF 9

# SOLDER PIN Pb90/Sn10



SECTION C-C  
SCALE 35 : 1

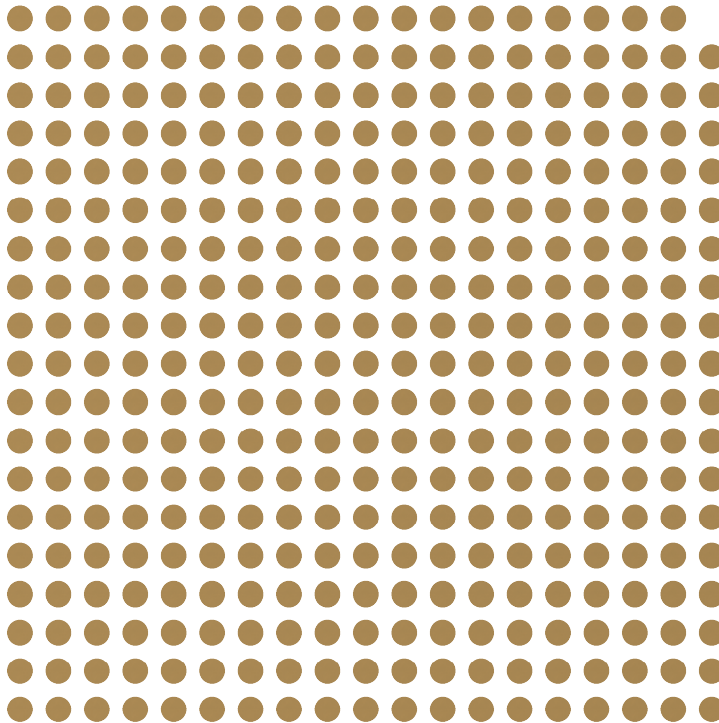


<b>TopLine®</b>			
TITLE CCGA360T1.27-D COLUMN GRID ARRAY			
SCALE 1.75:1	SIZE A	DRAWING NO. 160079	REV A
DO NOT SCALE DRAWING			SHEET 5 OF 9

# PAD PATTERN

## COLUMN VIEW

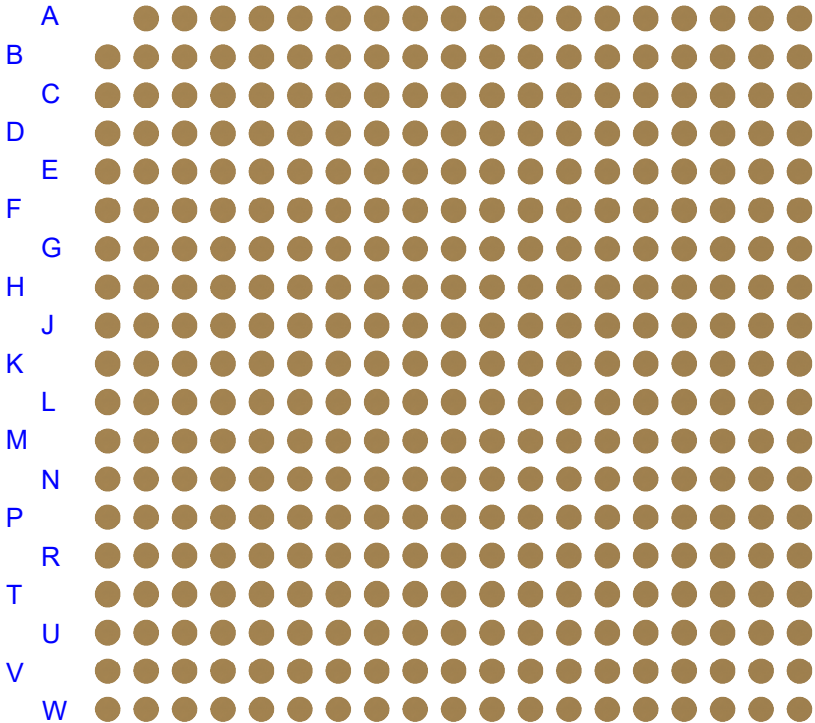
19 17 15 13 11 9 7 5 3 1  
18 16 14 12 10 8 6 4 2



A  
B  
C  
D  
E  
F  
G  
H  
J  
K  
L  
M  
N  
P  
R  
T  
U  
V  
W

## BOTTOM X-RAY VIEWED FROM TOP

1 3 5 7 9 11 13 15 17 19  
2 4 6 8 10 12 14 16 18

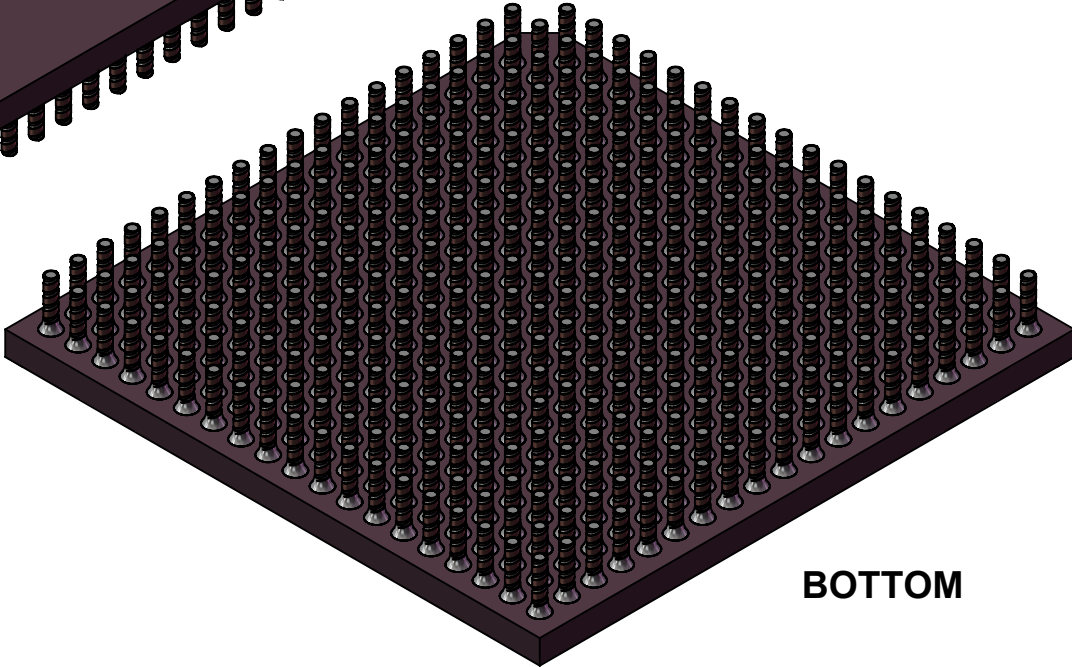
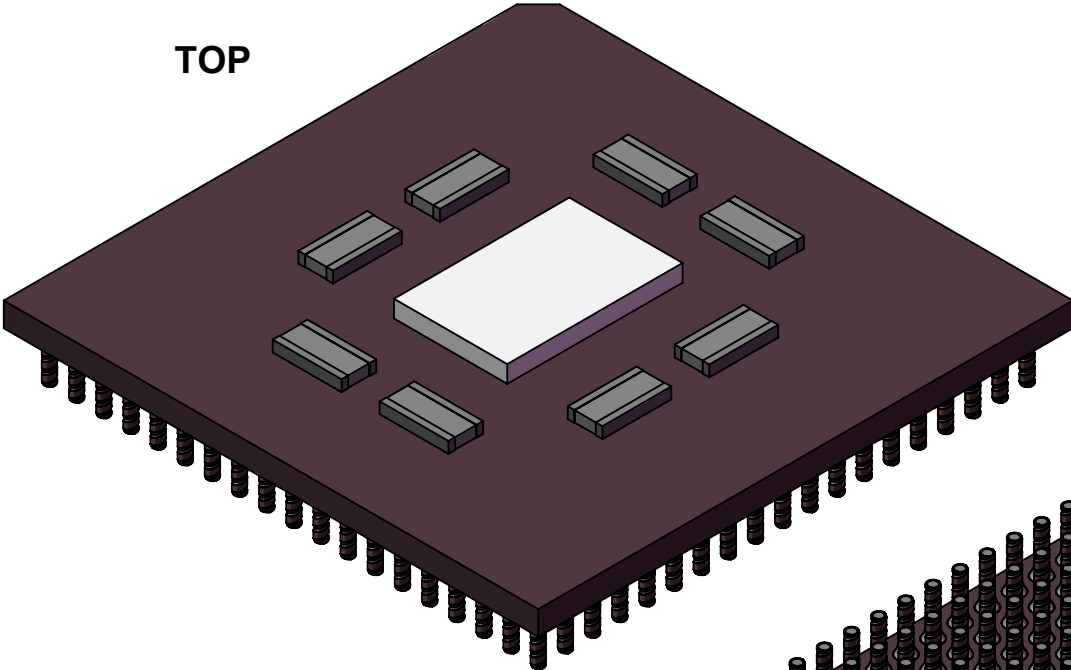


A  
B  
C  
D  
E  
F  
G  
H  
J  
K  
L  
M  
N  
P  
R  
T  
U  
V  
W

<b>TopLine<sup>®</sup></b>			
TITLE CCGA360T1.27-D COLUMN GRID ARRAY			
SCALE 4:1	SIZE A	DRAWING NO. 160079	REV A
DO NOT SCALE DRAWING			SHEET 6 OF 9

MODEL  
WITHOUT HEAT SINK  
Pb80/Sn20

TOP

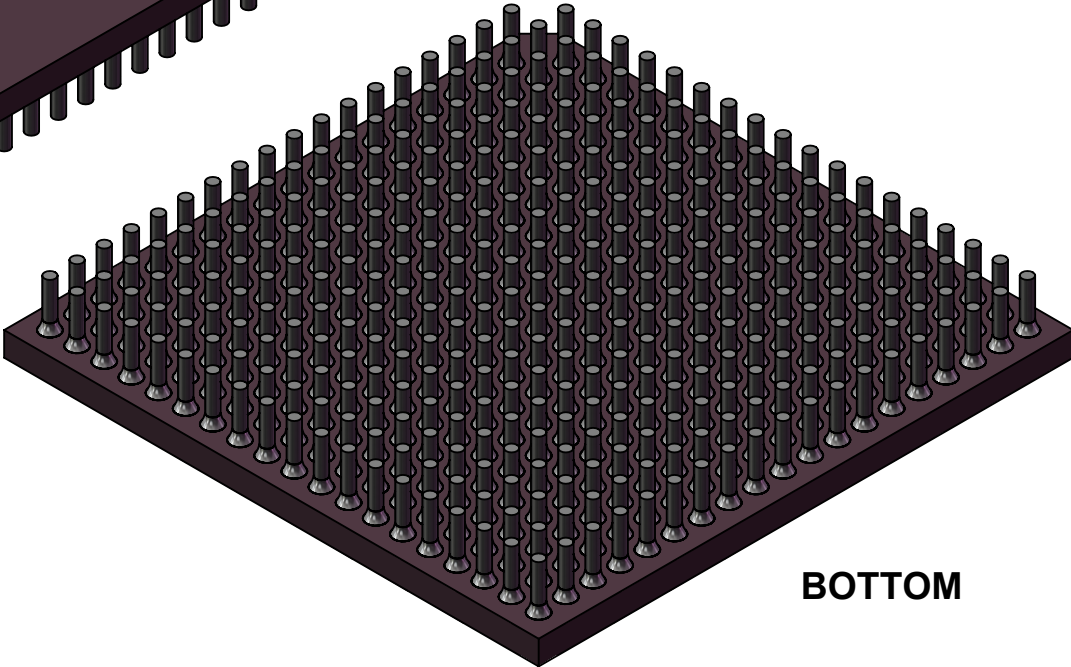
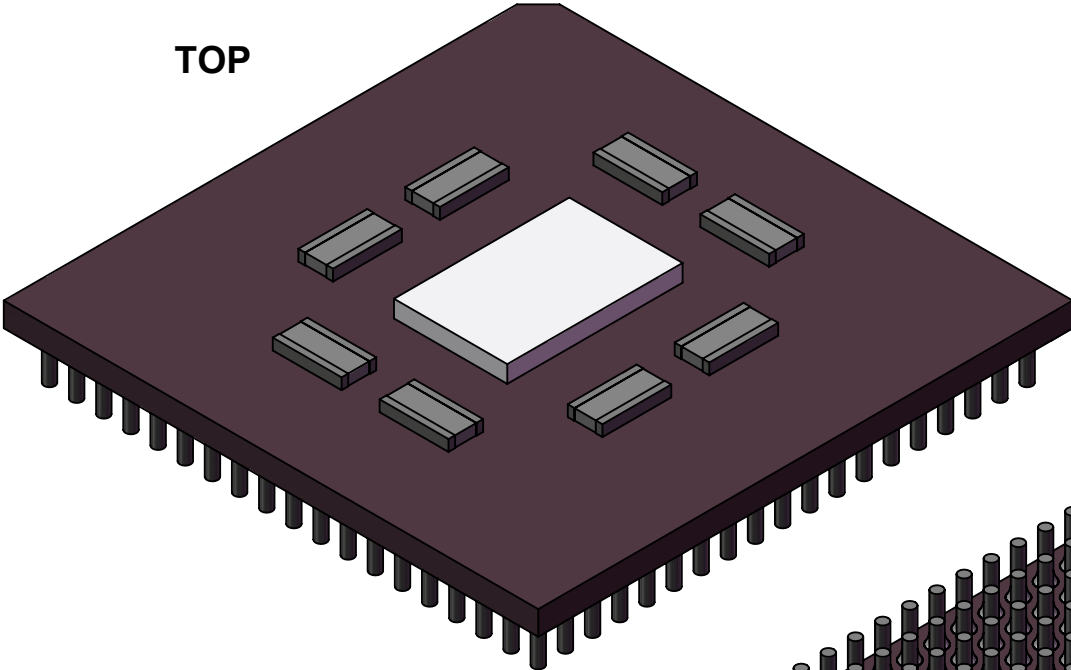


BOTTOM

<b>TopLine®</b>			
TITLE		CCGA360T1.27-D COLUMN GRID ARRAY	
SCALE	SIZE	DRAWING NO.	REV
4:1	A	160079	A
DO NOT SCALE DRAWING			SHEET 7 OF 9

MODEL  
WITHOUT HEAT SINK  
Pb90/Sn10

TOP

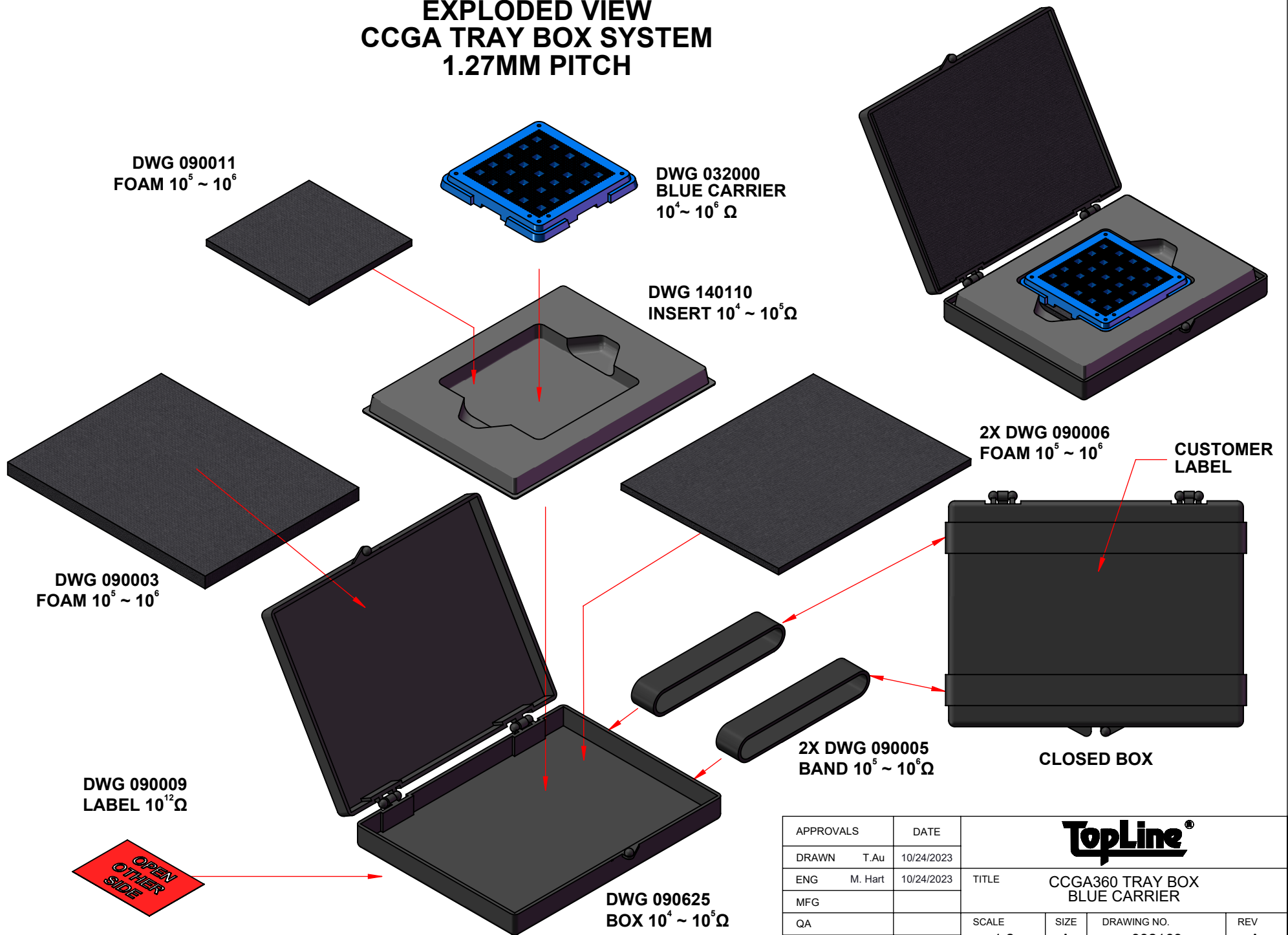


BOTTOM

<b>TopLine</b> <sup>®</sup>			
TITLE CCGA360T1.27-D COLUMN GRID ARRAY			
SCALE 4:1	SIZE A	DRAWING NO. 160079	REV A
DO NOT SCALE DRAWING			SHEET 8 OF 9



# EXPLODED VIEW CCGA TRAY BOX SYSTEM 1.27MM PITCH



APPROVALS	DATE	<b>TopLine®</b>			
DRAWN T. Au	10/24/2023				
ENG M. Hart	10/24/2023	TITLE CCGA360 TRAY BOX BLUE CARRIER			
MFG		SCALE	SIZE	DRAWING NO.	REV
QA		1:2	A	932169	A
CUST		DO NOT SCALE DRAWING			SHEET 9 OF 9
REVISED					