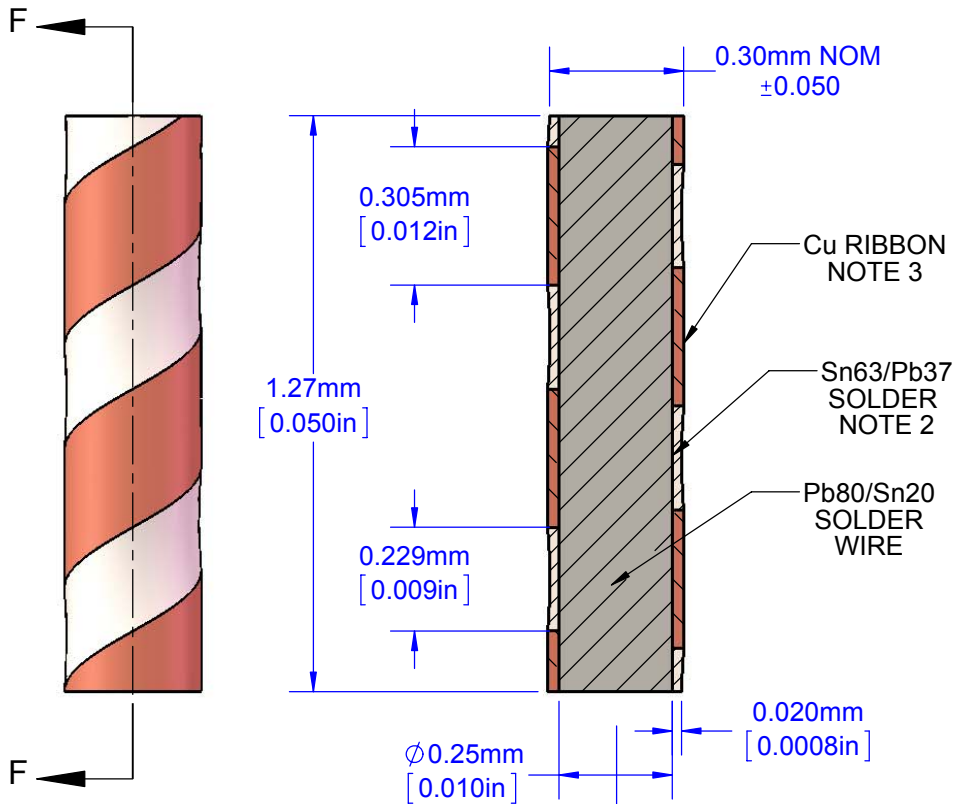
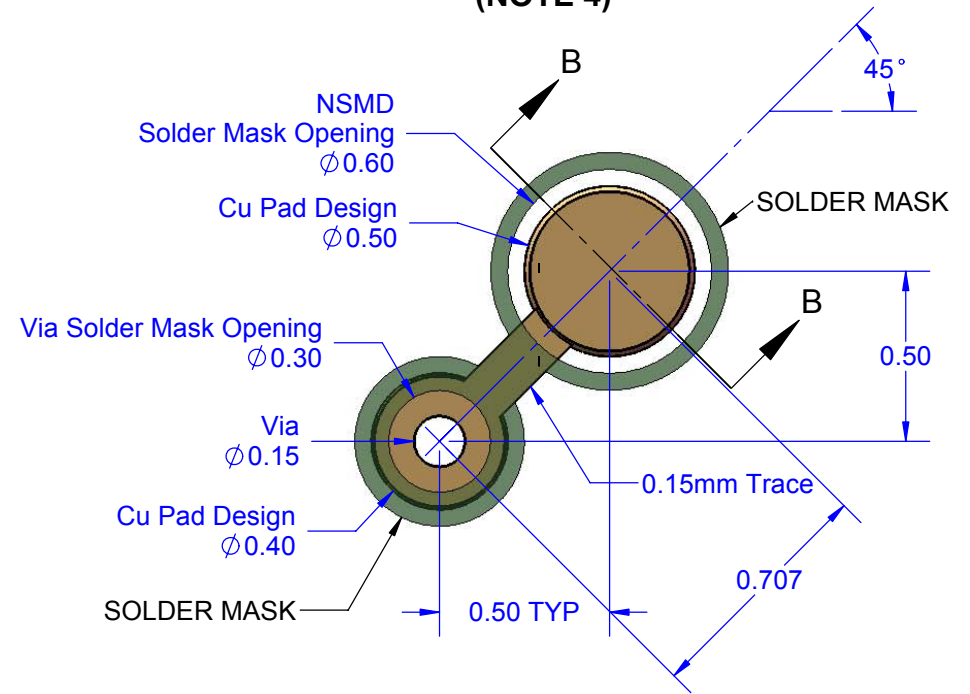


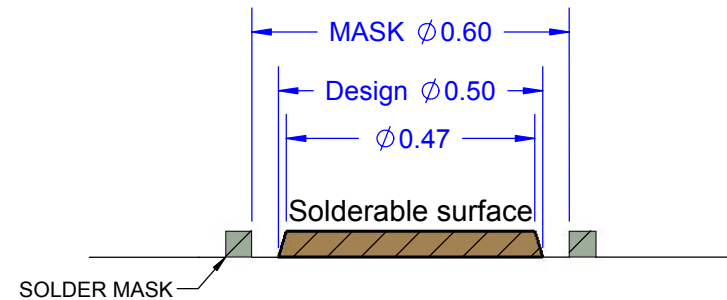
### SECTION VIEW



### PCB LAND PATTERN (NOTE 4)

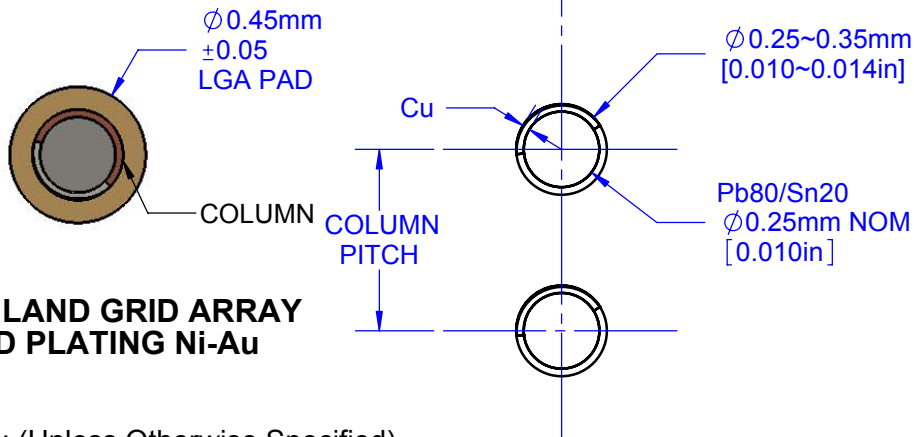


### Cu PAD SIDE VIEW



### Section B-B

### LGA - LAND GRID ARRAY PAD PLATING Ni-Au



Notes: (Unless Otherwise Specified).

- 1) DIMENSIONS IN mm [INCHES].
- 2) THICKNESS Sn63/Pb37 SOLDER COAT 6~12µm [0.25~0.50mil].
- 3) Cu ALLOY C10100 - OFE (CDA-101). 99.99% PURE.
- 4) PCB BOARD DIMENSIONS ARE PRESENTED ONLY AS A GUIDELINE. DESIGNERS SHOULD USE THEIR OWN EXPERIENCE WHEN DESIGNING PCB.

APPROVALS	DATE	<b>TopLine®</b>			
DRAWN T.Au	9/29/2015				
ENG M. Hart	9/29/2015	TITLE CG8020C12x50 CCGA SOLDER COLUMN			
MFG		SCALE 40:1	SIZE A	DRAWING NO. 801250	REV A
QA		DO NOT SCALE DRAWING			SHEET 1 OF 1
CUST					
REVISED					