

U.S. PATENTS 10041558,
10021779, 10704639,
10704639, D842351

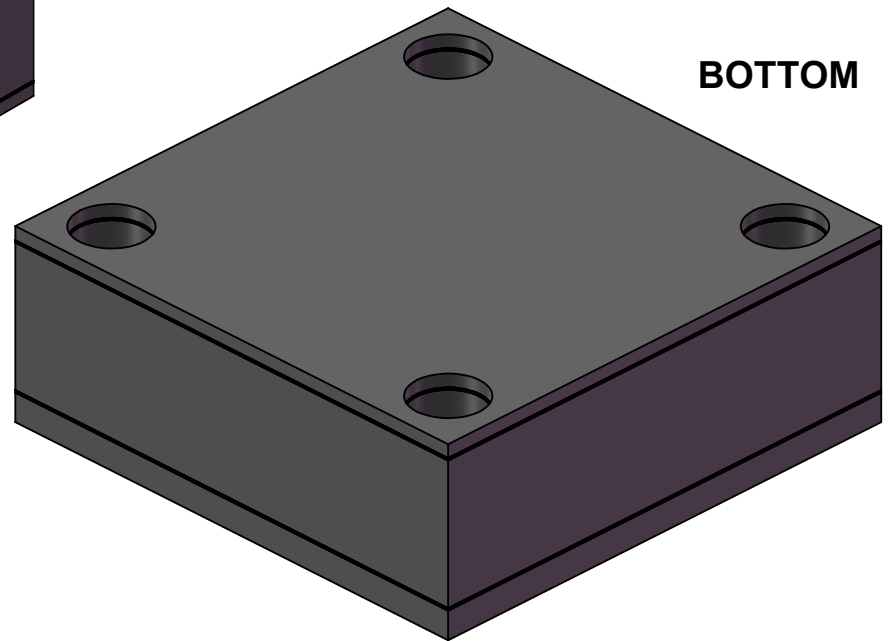
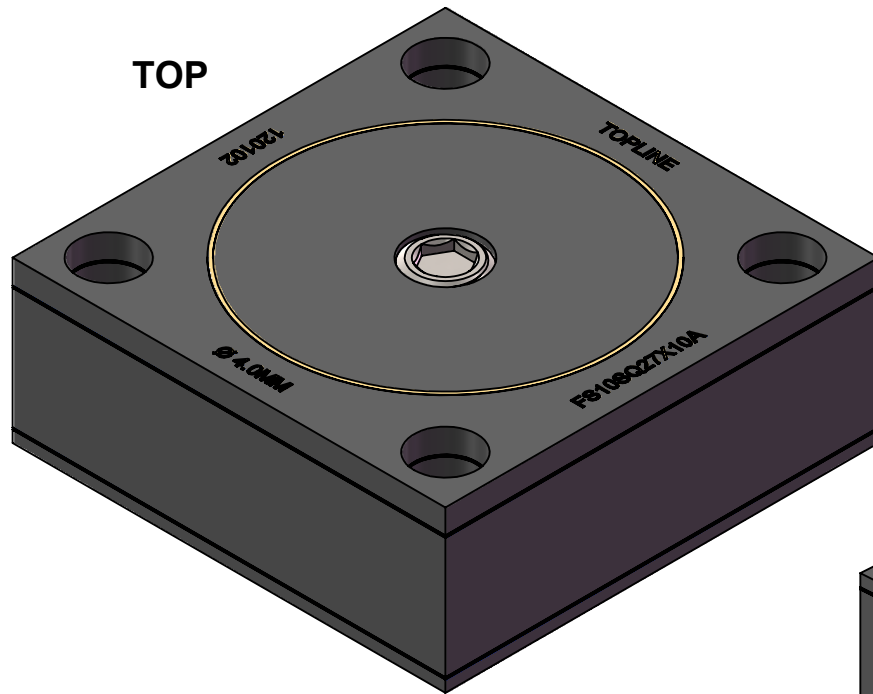
DIMENSION AND WEIGHT (MASS) TABLE

H HEIGHT MAX	PCB MASS NOM	TUNGSTEN BALLS IN CAVITY				Total PID MASS	SCREW ADJUST	SCREW HEX HEAD
		Ø DIA	Per Ball	QTY	MASS			
10mm	100g	4mm	0.587g	~18	10g	~22g	10-32	3/32

NOTES: (Unless Otherwise Specified).
1. DIMENSIONS mm.
2. MOUNTING SCREW M3.5 or 6-32.
3. ALTERNATIVE MOUNTING ADHESIVE (GLUE).

APPROVALS	DATE	TopLine®			
DRAWN T. Au	8/18/2022				
ENG M. Hart	8/18/2022	TITLE FS10SQ27X10A PID VIBRATION DAMPER			
MFG		SCALE	SIZE	DRAWING NO.	REV
QA		3:1	A	120102	A
CUST		DO NOT SCALE DRAWING			SHEET 1 OF 3
REVISED					

MODEL



NOTES:
1. CONTACT TOPLINE FOR OTHER MOUNTING OPTIONS.

TopLine®			
TITLE		FS10SQ27X10A PID VIBRATION DAMPER	
SCALE	SIZE	DRAWING NO.	REV
2:1	A	120102	A
DO NOT SCALE DRAWING			SHEET 2 OF 3

Part Number System

<u>F</u>	<u>S</u>	<u>10</u>	<u>SQ</u>	<u>27x</u>	<u>10</u>	<u>A</u>
Series	Mounting on PCB	Tungsten Payload Grams	Exterior Shape	X/Y Size	Height	Version/Option
<u>Filled</u> F = FR4 Single Layer	<u>Mounting Style</u> S = SCREW MOUNT A = ADHESIVE GLUE	<u>Code Grams</u> 10 = 10gm Other Mass Available	<u>Code Shape</u> SQ Square R Rectangle C Cylindrical T Toroid Z Custom	<u>Code Size</u> 27 = 27mm SQ Other Sizes Available	<u>Code Height</u> 10 = 10mm MAX Other Sizes Available	<u>Code Version</u> A = Version A Other Version Available
<u>Empty</u> E = FR4 Case						

Order Number

<u>1</u>	<u>2</u>	<u>010</u>	<u>2</u>
DESCRIPTION	Mount Style	Mass (gm) 9 = Decimal	Option Code
<u>Code</u> <u>Description</u>	<u>Code</u> <u>Description</u>	<u>Code</u> <u>MASS</u>	<u>Code</u> <u>Option</u>
1 = Filled PID	2 = Screw 3 = Adhesive 9 = Custom 0 = Master DWG	010 = 10 gm	2 = Version A

TopLine®

TITLE FS10SQ27X10A
PID VIBRATION DAMPER

SCALE NONE	SIZE A	DRAWING NO. 120102	REV A
---------------	-----------	-----------------------	----------

DO NOT SCALE DRAWING

SHEET 3 OF 3