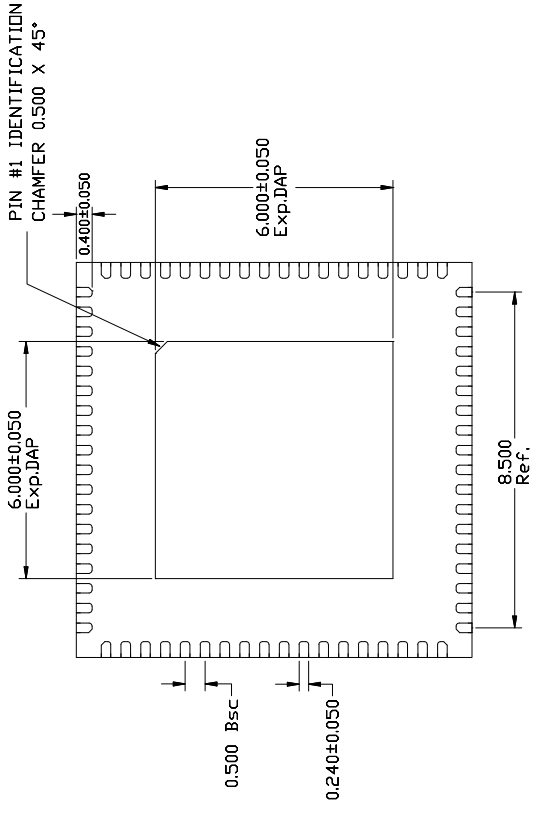


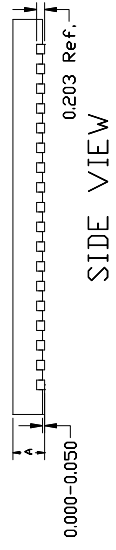
TOP VIEW



BOTTOM VIEW

NOTE:  
 1) TSLP AND SLP SHARE THE SAME EXPOSE OUTLINE  
 BUT WITH DIFFERENT THICKNESS:

	TSLP	SLP
MAX.	0.800	0.900
NDIM.	0.750	0.850
MIN.	0.700	0.800



SIDE VIEW

DESIGNED: STEVEN ONG	DATE:
APPD: ANDREW TAN	DATE:
APPD: CHW CHAI	DATE:
APPD: GCTAN	DATE:
APPD: RIZAL	DATE:
APPD: WFLAI	DATE:
REV: 00	DATE:

TOLERANCES:	UNIT:	SCALE:
REFER. TO SPECIFICATION	MM	NTS
ASYM	SYMBOL	

72L (T/SLP) 10x10mm  
 (PACKAGE OUTLINE)

SHEET NO: 1 OF 1