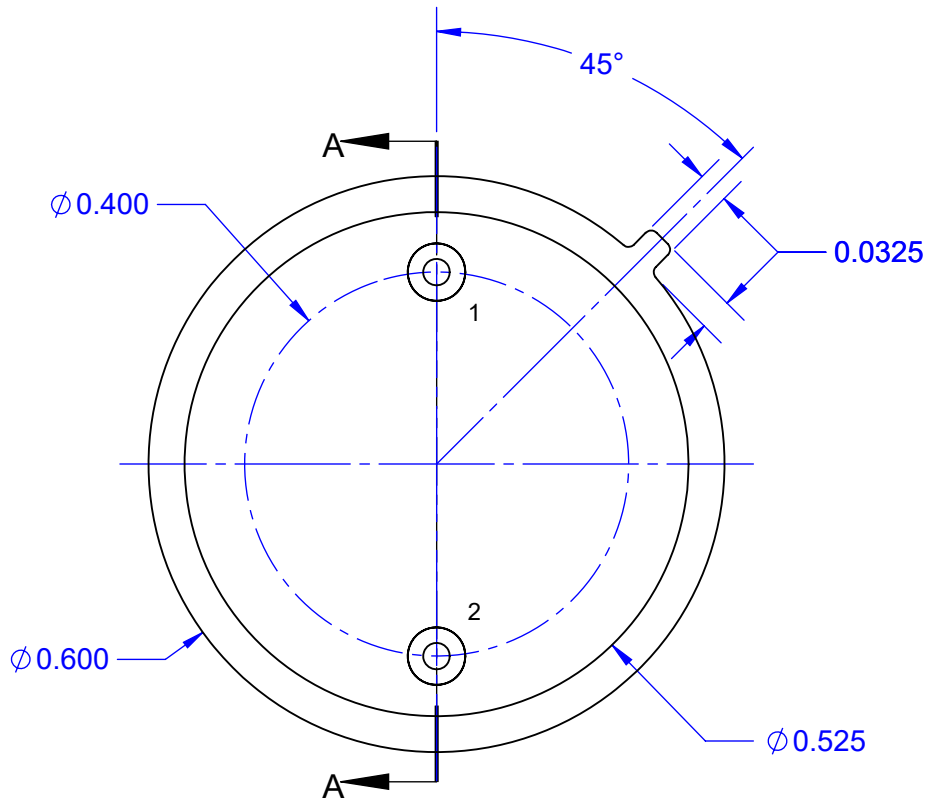
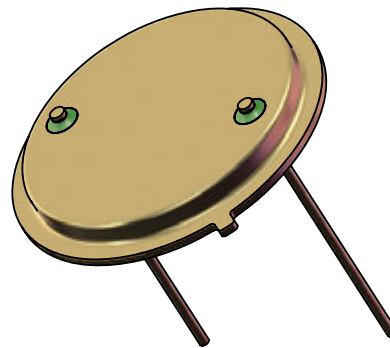
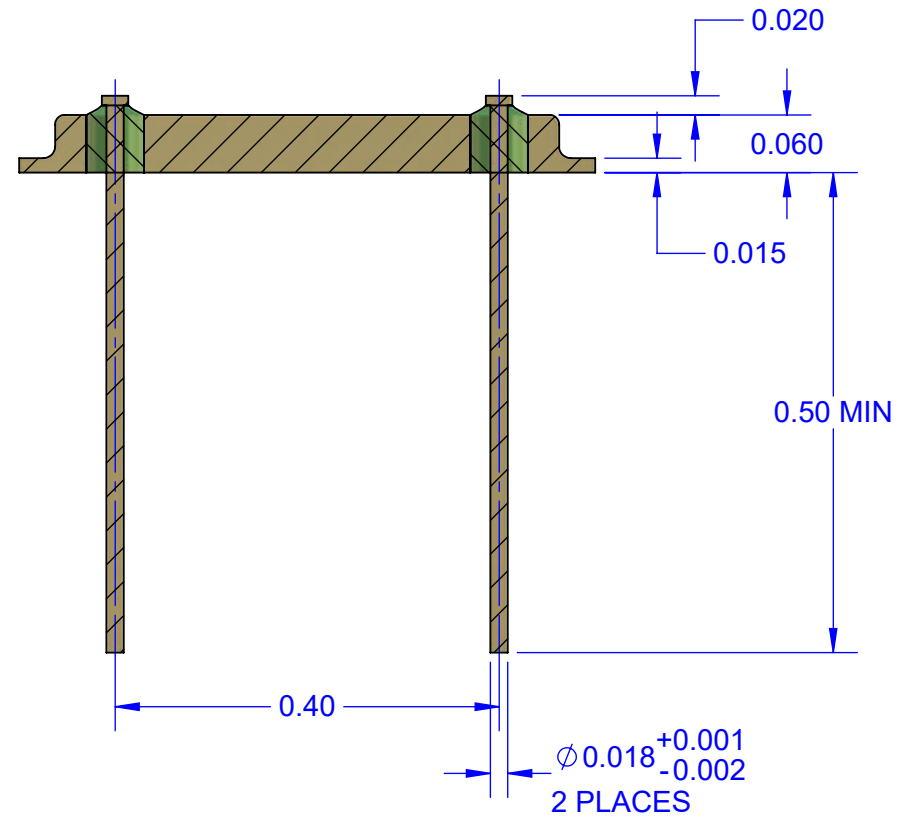


TOP VIEW



SECTION VIEW A-A



**MODEL
SCALE 3:1**

NOTES:

1. DIMMENSIONS INCH (Unless Otherwise Specified).
2. BODY KOVAR ASTM F45 ALLOY 42.
3. LEADS KOVAR ASTM F15.
4. GLASS 7052 OR EQUIVALENT.
5. PLATING: Ni 100~300 Micro-inch
Au 50 Micro-inch MIN

APPROVALS	DATE	TopLine®			
DRAWN T.Au	4/16/2022				
ENG M. Hart	4/16/2022	TITLE TO8 HEADER 2L ISOLATED POST PIN			
MFG		SCALE	SIZE	DRAWING NO.	REV
QA		6:1	A	140801	A
CUST		DO NOT SCALE DRAWING			SHEET 1 OF 1
REVISED					