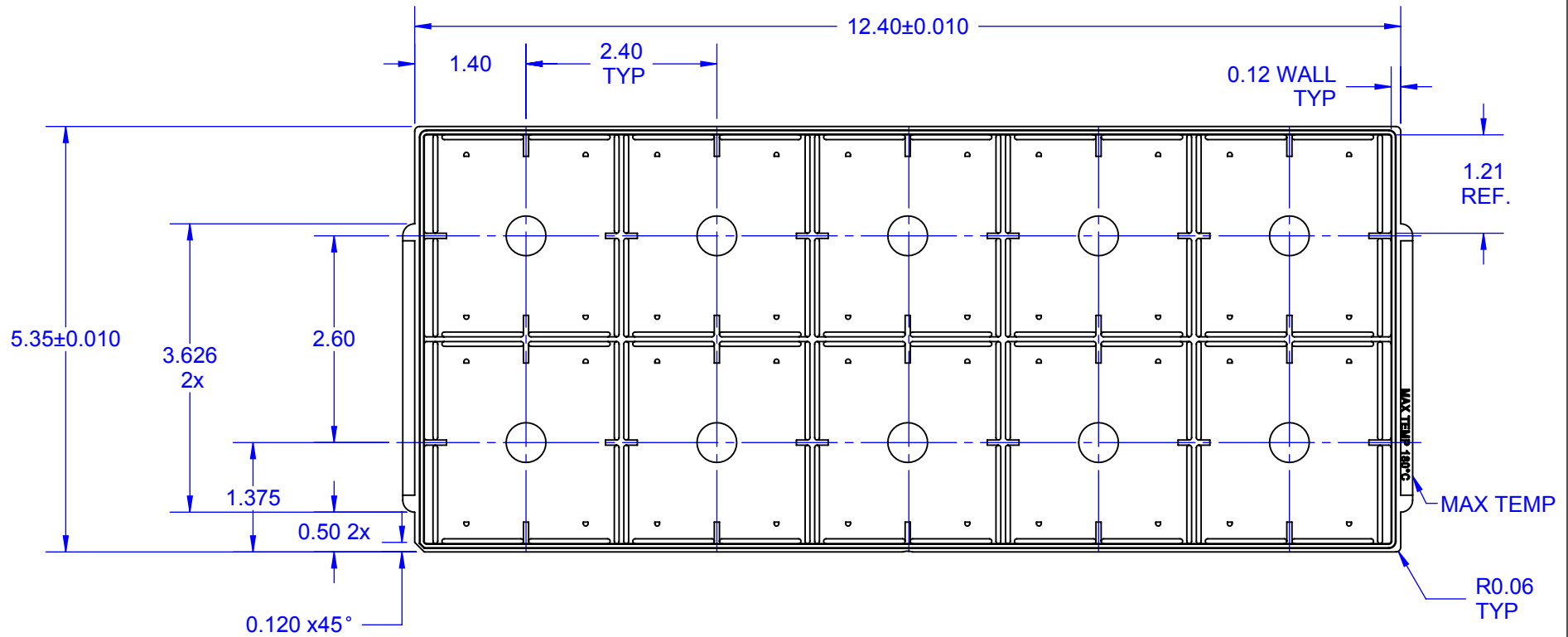


# TOP VIEW

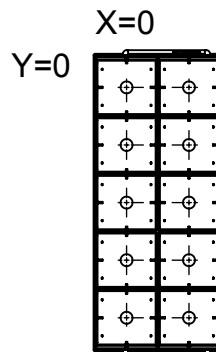
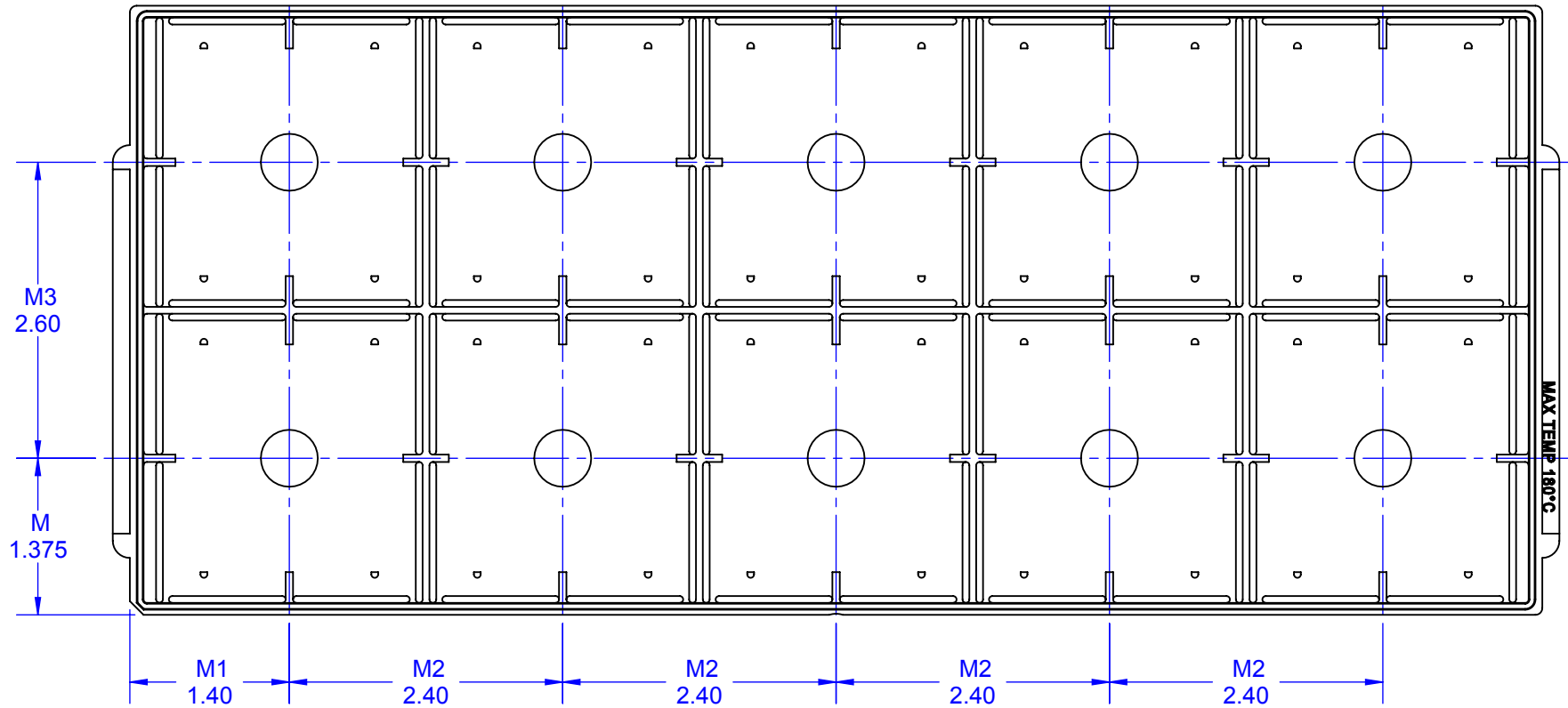


## NOTES:

1. DIMENSIONS IN INCHES.
2. JEDEC OUTLINE.
3. TEMPERATURE RATING 180 °C MAX.
4. JIG TRAY MATERIAL: PES (Polyethersulfone).
5. SURFACE RESISTIVITY  $10^5 \Omega$  (NOMINAL).
6. ESD SAFE: STATIC DISSIPATIVE.
7. COLOR: BLACK.
8. POCKETS: HOLDS 10 WAFFLE PACKS.
9. WAFFLE PACK SIZE: 2.0" x 2.0" x 0.156".

APPROVALS	DATE	<b>TopLine®</b>			
DRAWN T. Au	04/11/14				
ENG M. Hart	04/11/14	TITLE WP2-JIGTRAY JEDEC OUTLINE CARRIER			
MFG		SCALE	SIZE	DRAWING NO.	REV
QA		1:2	A	782346	A
CUST		DO NOT SCALE DRAWING			SHEET 1 OF 4
REVISED					

# JEDEC PICK AND PLACE X / Y COORDINATES

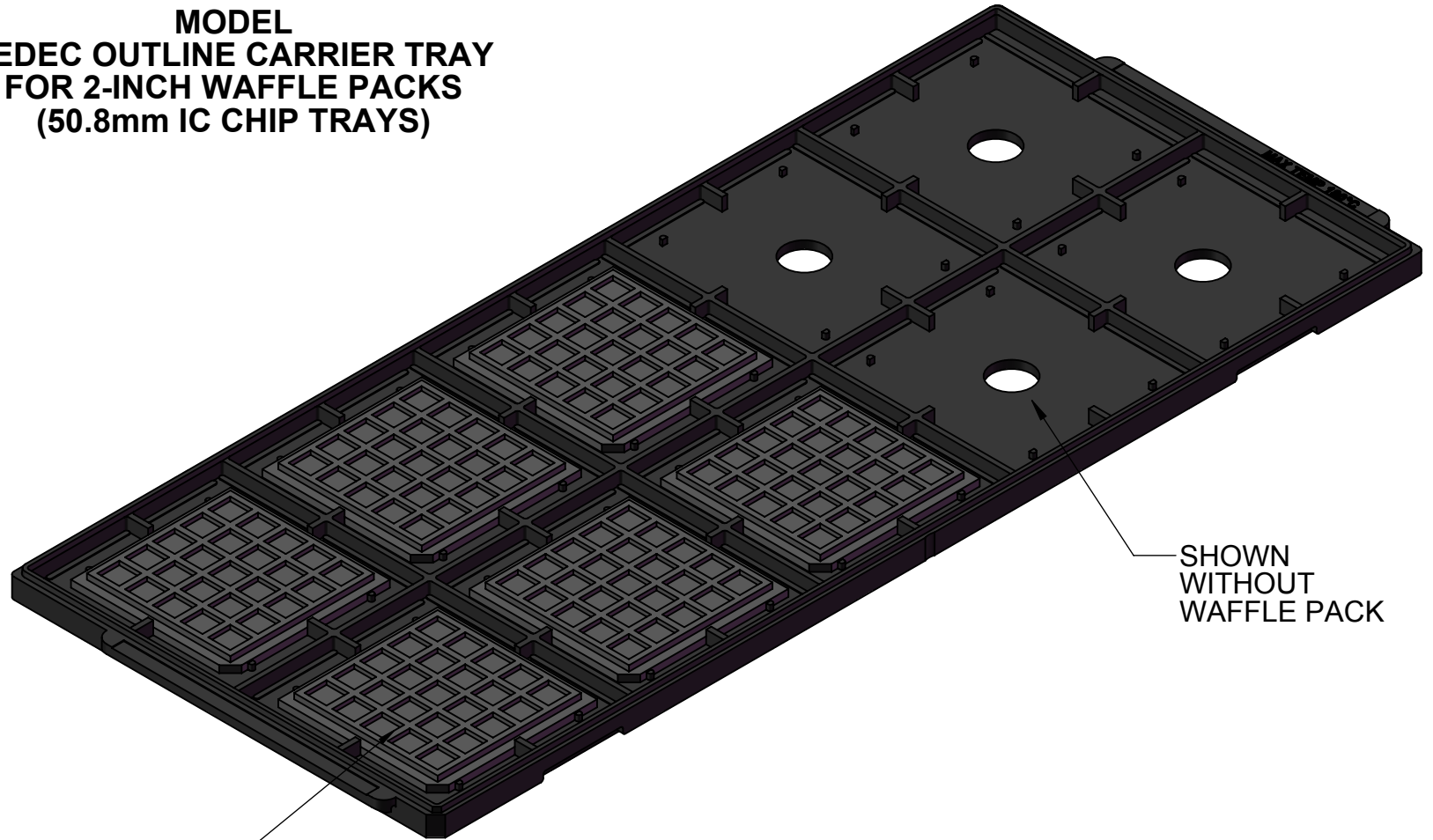


JEDEC  
X-Y ORIENTATION

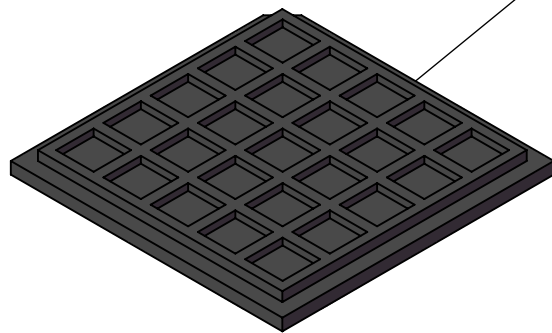
NOTES:  
 JEDEC X-Y ORIENTATION ROTATED 90°.  
 M FIRST STEP IN X DIRECTION.  
 M1 FIRST STEP IN Y DIRECTION.  
 M2 Y-AXIS STEP.  
 M3 X-AXIS STEP.

<b>TopLine®</b>			
TITLE		WP2-JIGTRAY JEDEC OUTLINE CARRIER	
SCALE	SIZE	DRAWING NO.	REV
2:3	A	782346	A
DO NOT SCALE DRAWING			SHEET 2 OF 4

**MODEL  
JEDEC OUTLINE CARRIER TRAY  
FOR 2-INCH WAFFLE PACKS  
(50.8mm IC CHIP TRAYS)**



SHOWN  
WITHOUT  
WAFFLE PACK



SHOWN WITH  
EXAMPLE 2-INCH  
WAFFLE PACK

**TopLine®**

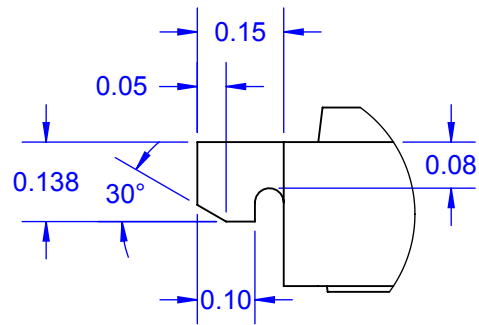
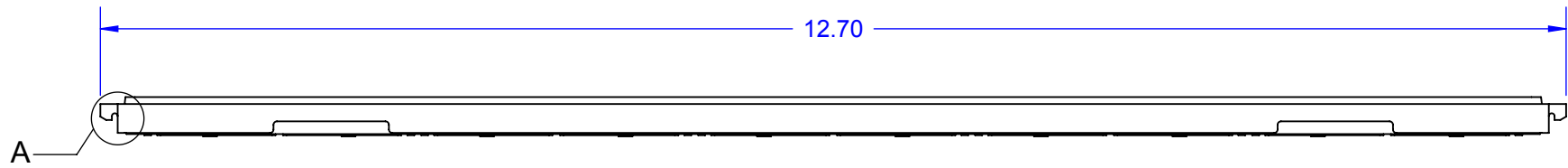
TITLE WP2-JIGTRAY  
JEDEC OUTLINE CARRIER

SCALE 2:3	SIZE A	DRAWING NO. 782346	REV A
--------------	-----------	-----------------------	----------

DO NOT SCALE DRAWING

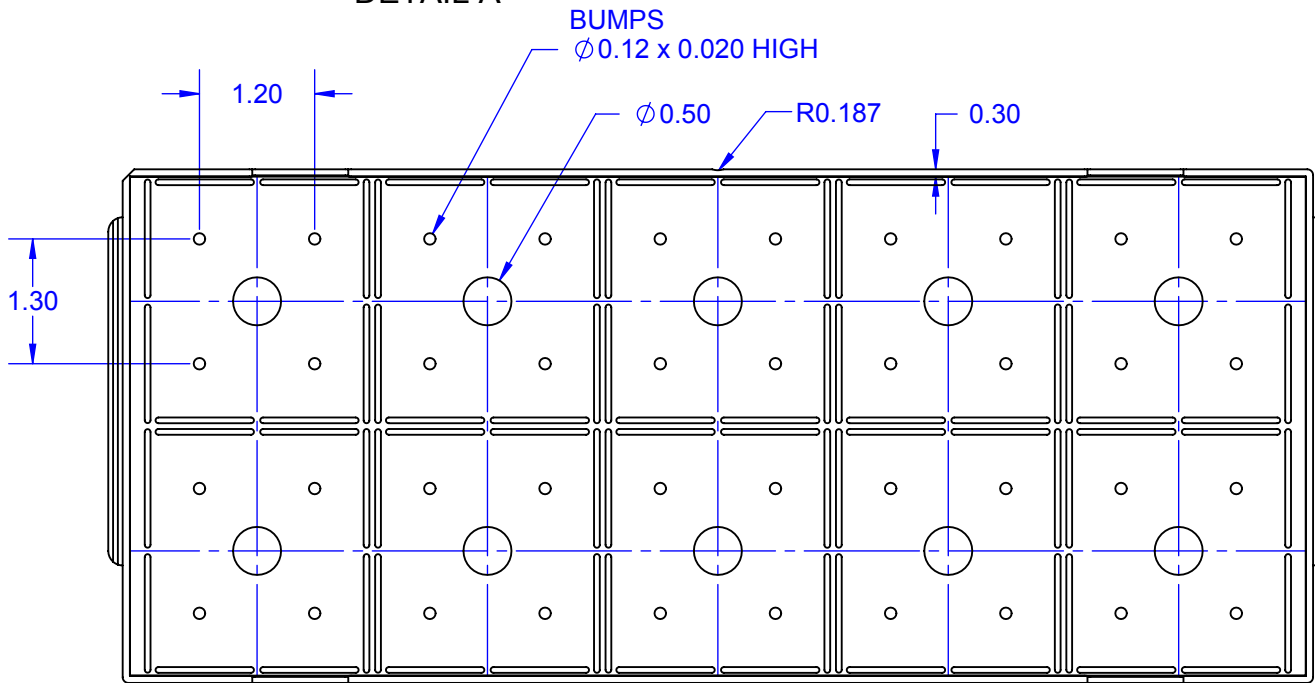
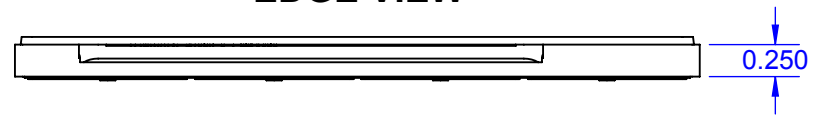
SHEET 3 OF 4

### SIDE VIEW



DETAIL A

### EDGE VIEW



BOTTOM VIEW

**TopLine**<sup>®</sup>

TITLE WP2-JIGTRAY  
JEDEC OUTLINE CARRIER

SCALE 2:3	SIZE A	DRAWING NO. 782346	REV A
--------------	-----------	-----------------------	----------

DO NOT SCALE DRAWING

SHEET 4 OF 4