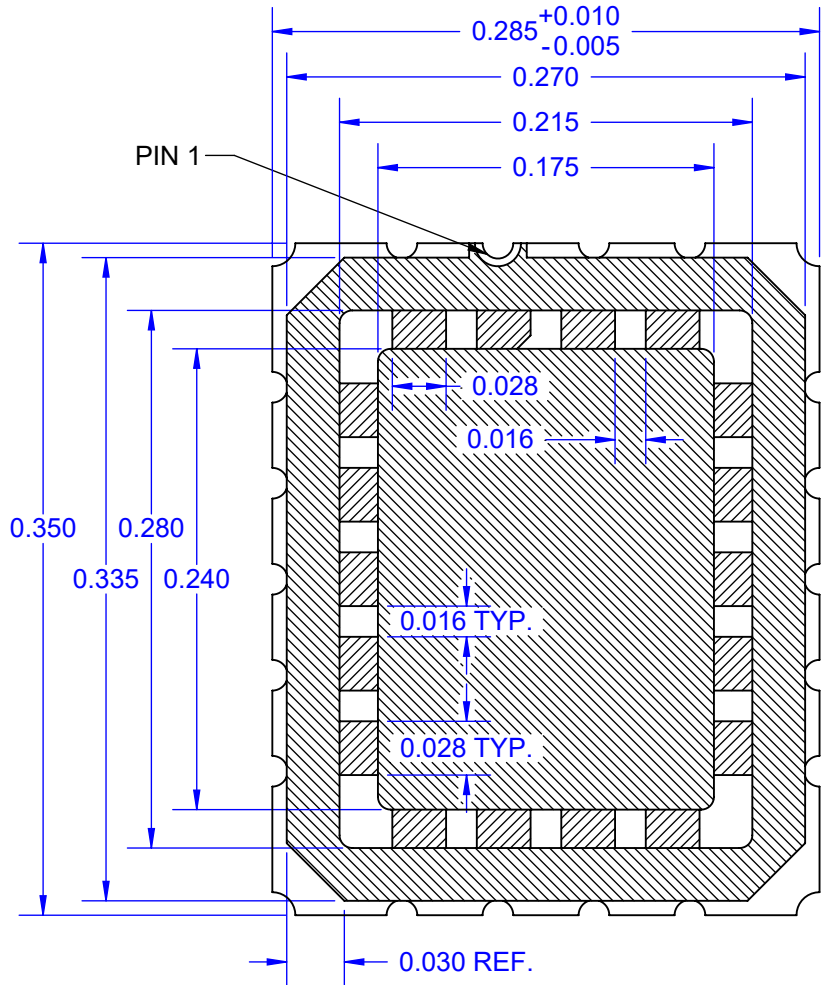
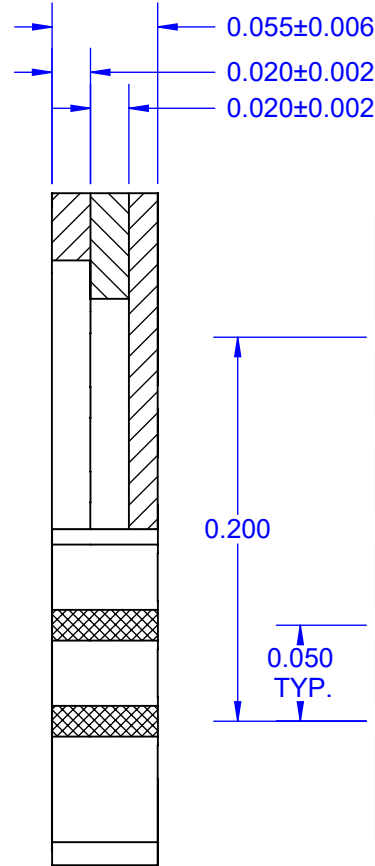


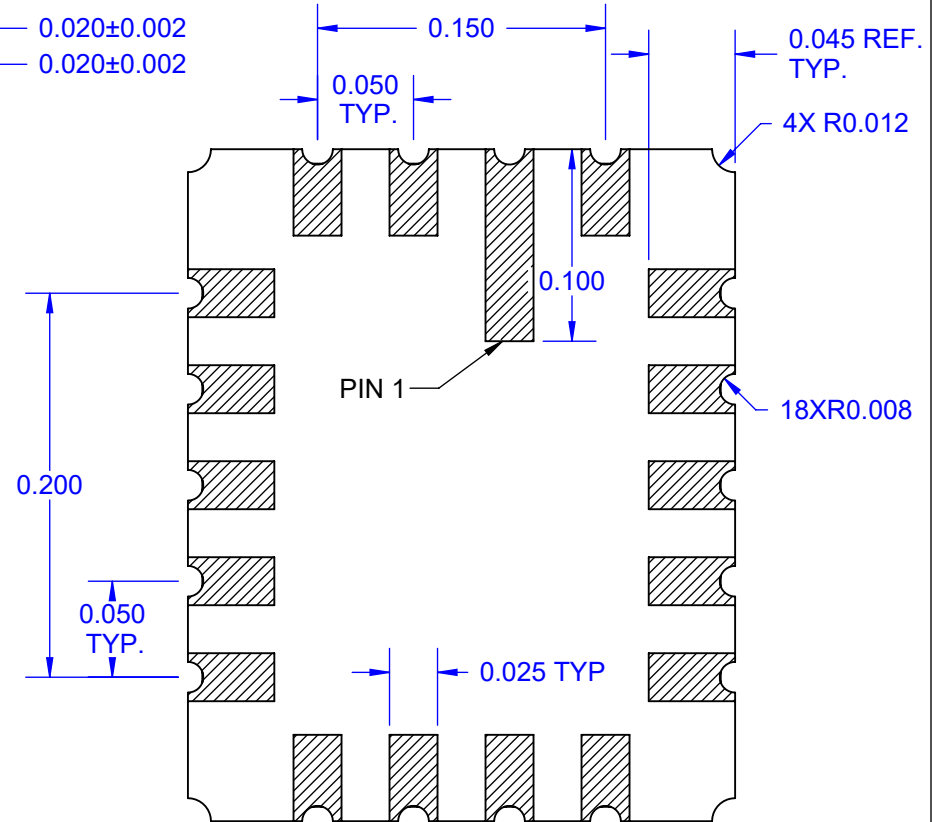
TOP VIEW



SIDE VIEW



BOTTOM VIEW



NOTES: (Unless Otherwise Specified).

1) PLATING:

Ni 80 MICRO-INCH (2.0µm) MIN.

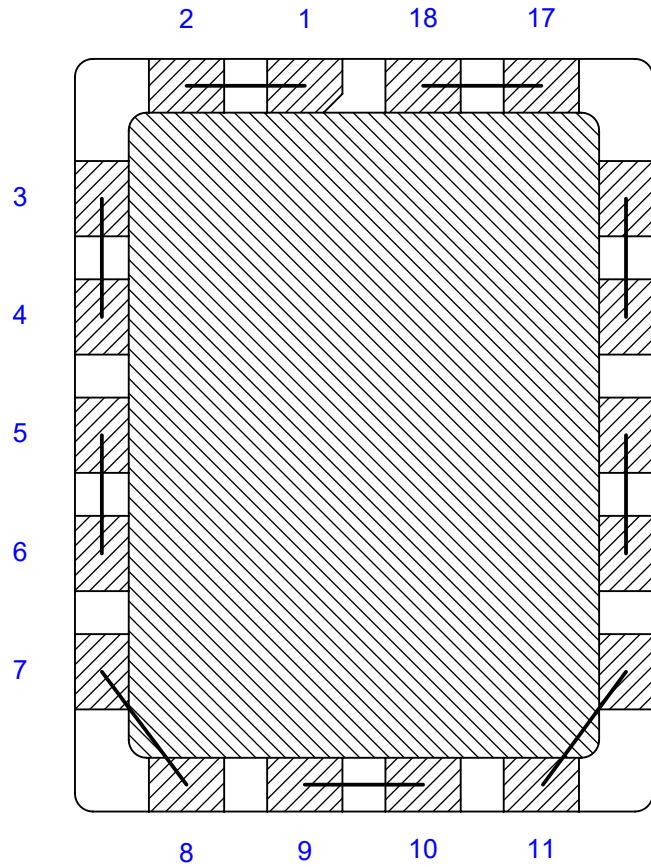
Au 60 MICRO-INCH (1.5µm) MIN.

2) DIMENSIONS in INCH (UNLESS SPECIFIED).

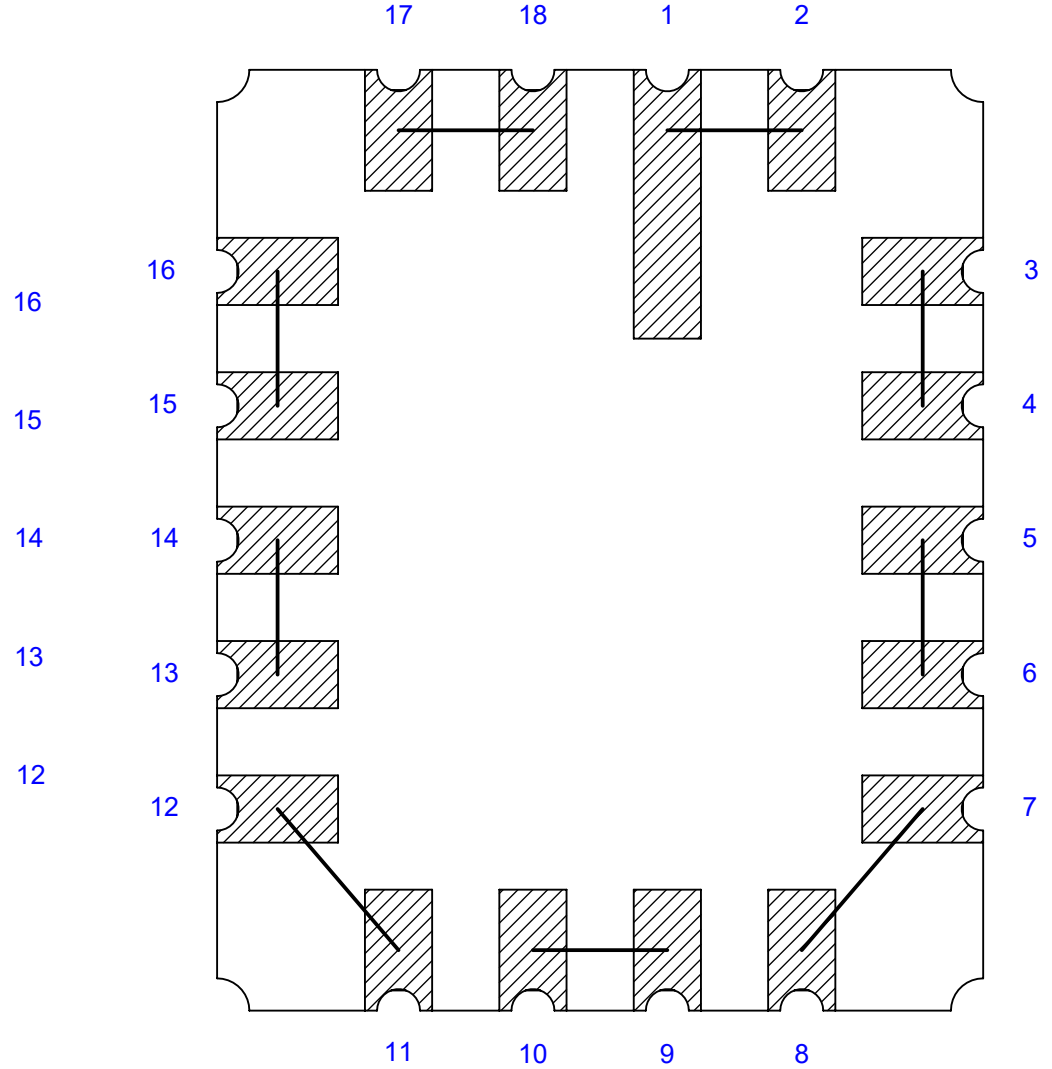
PART NUMBER	LID	PLATING	DAISY CHAIN
LCC18B50R.28x.35-N	OPEN	NiAu	NO
LCC18B50R.28x.35	SEALED	NiAu	NO
LCC18B50R.28x.35-SC	SEALED	SnPb	NO
LCC18B50R.28x.35-DE	SEALED	NiAu	YES
LCC18B50R.28x.35-DE-SC	SEALED	SnPb	YES

APPROVALS	DATE	TopLine [®]			
DRAWN T. Au	06/22/16				
ENG M. Hart	06/22/16	TITLE LCC18B50R.28x.35			
MFG		SCALE	SIZE	DRAWING NO.	REV
QA		10:1	A	141800	A
CUST		DO NOT SCALE DRAWING			SHEET 1 OF 5
REVISED					

TOP VIEW



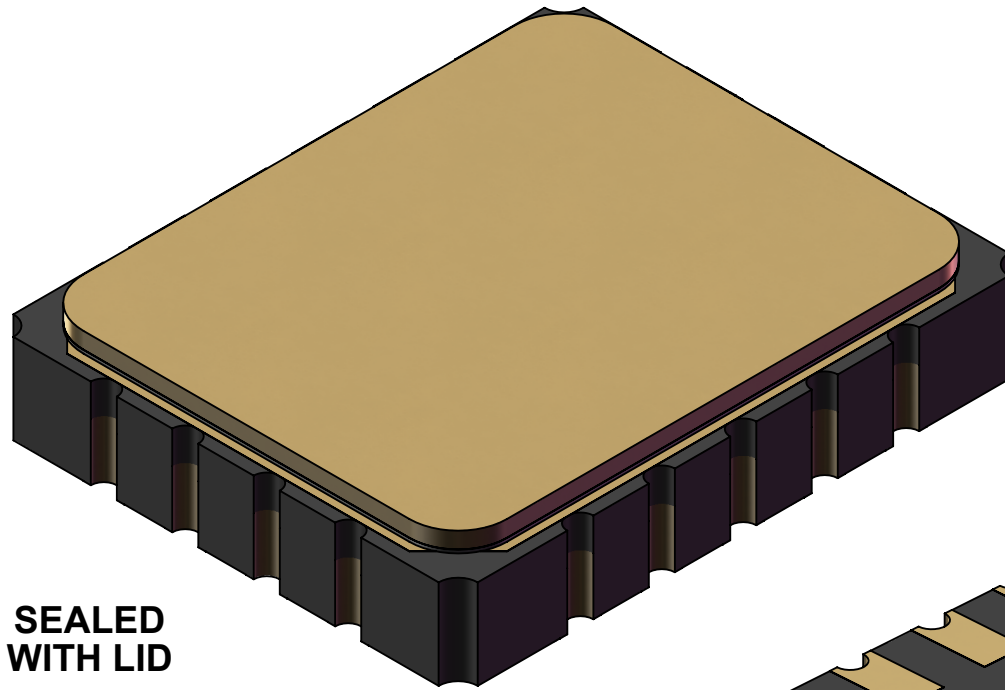
BOTTOM VIEW



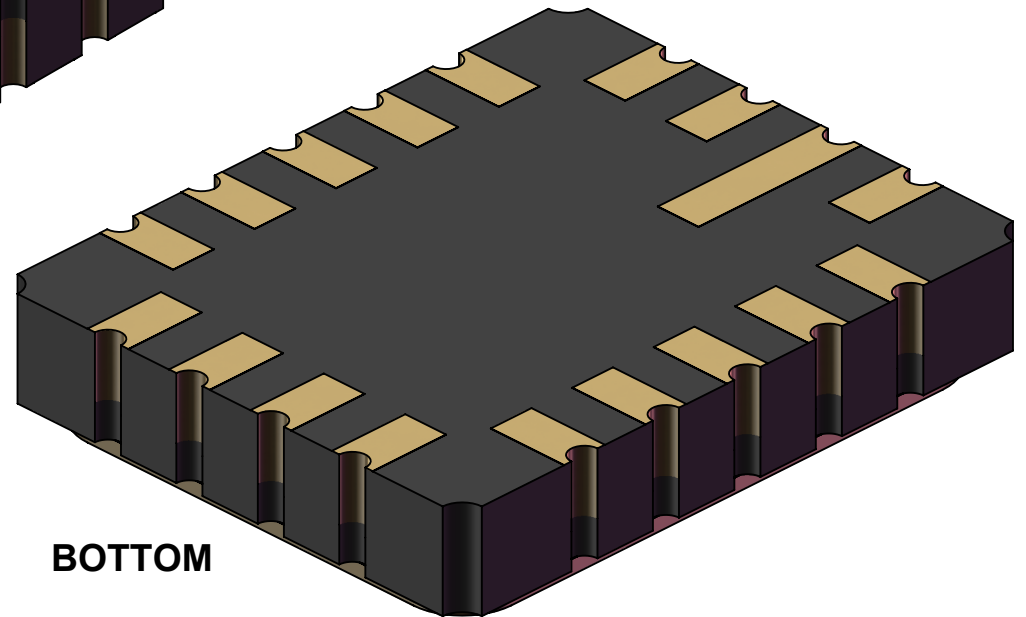
DAISY CHAIN NET LIST	
FROM / TO	FROM / TO
1 ~ 2	11 ~ 12
3 ~ 4	13 ~ 14
5 ~ 6	15 ~ 16
7 ~ 8	17 ~ 18
9 ~ 10	

TopLine®			
TITLE		LCC18B50R.28x.35	
SCALE	SIZE	DRAWING NO.	REV
14:1	A	141800	A
DO NOT SCALE DRAWING			SHEET 2 OF 5

MODELS



SEALED
WITH LID



BOTTOM

TopLine[®]

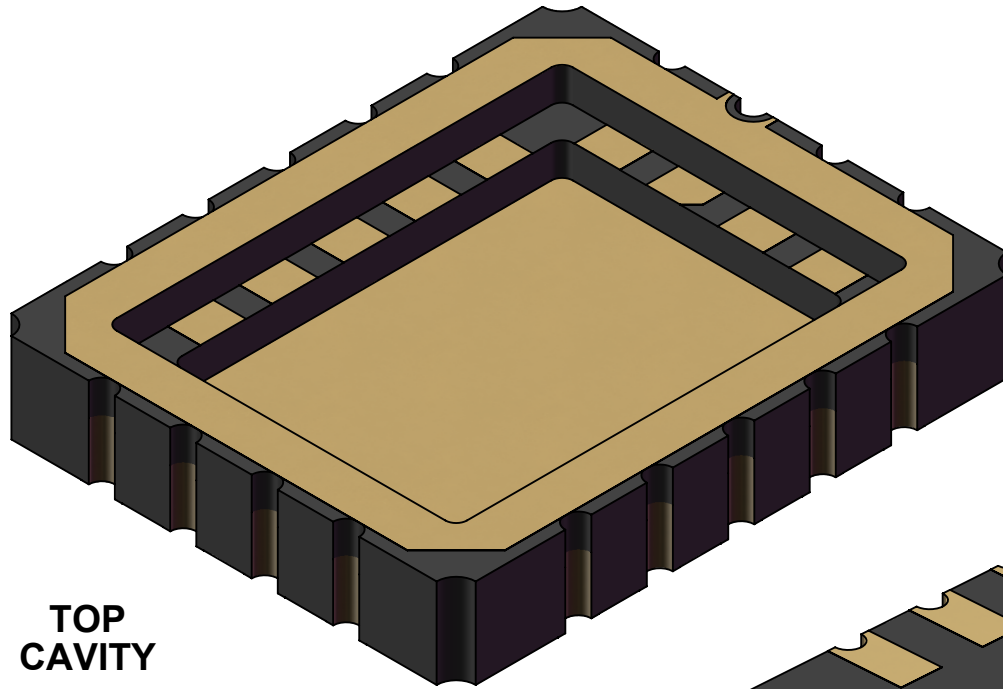
TITLE LCC18B50R.28x.35

SCALE 12:1	SIZE A	DRAWING NO. 141800	REV A
---------------	-----------	-----------------------	----------

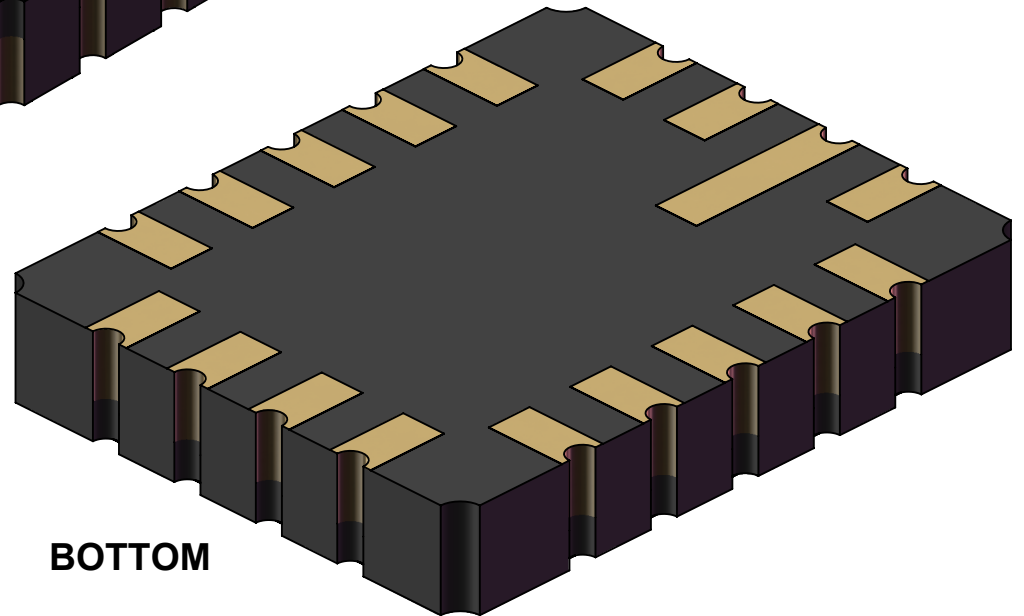
DO NOT SCALE DRAWING

SHEET 3 OF 5

MODELS



TOP
CAVITY



BOTTOM

TopLine[®]

TITLE LCC18B50R.28x.35

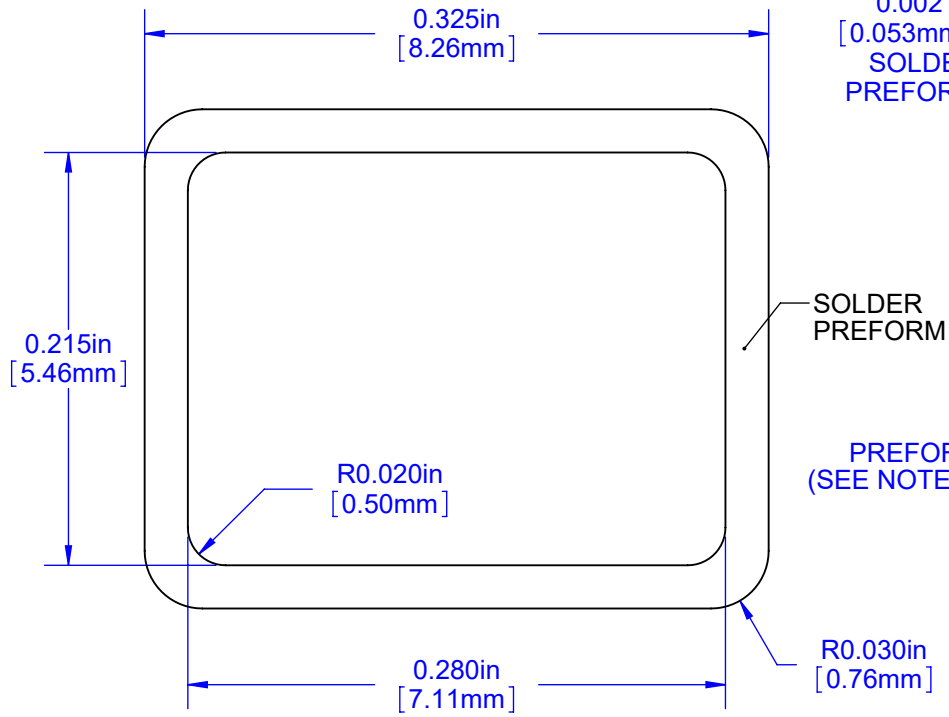
SCALE 12:1	SIZE A	DRAWING NO. 141800	REV A
---------------	-----------	-----------------------	----------

DO NOT SCALE DRAWING

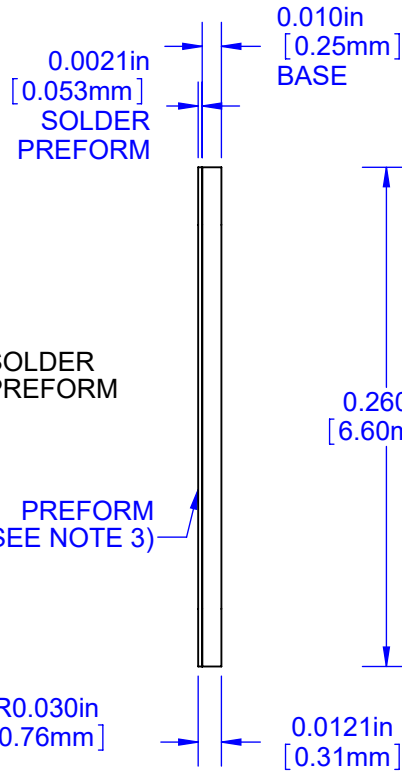
SHEET 4 OF 5

COMBO LID

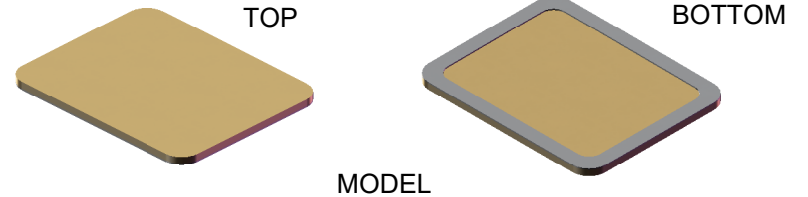
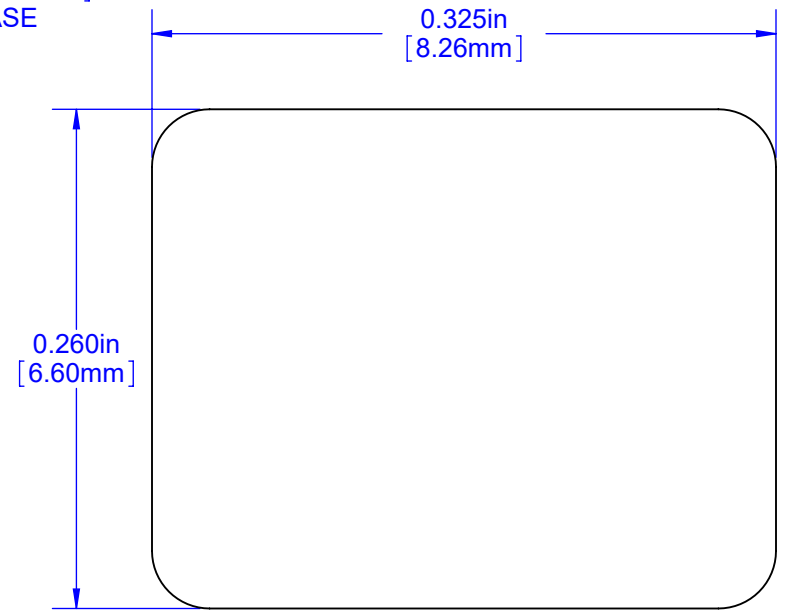
BOTTOM



SIDE



TOP



NOTES:

1. BASE MATERIAL: KOVAR or ALLOY 42.
2. PLATING: Ni 50~350 MICRO-INCH PER SIDE.
Au 25 MICRO-INCH MIN PER SIDE.
3. SOLDER PREFORM: Au 80% ±1.0 Sn 20%.
4. FLATNESS 1.0 MIL(25µm) MAXIMUM PER 0.5-inch (12.7mm).

REF: W1266H

TopLine®			
TITLE		CL-325x260-A COMBO LID	
SCALE	SIZE	DRAWING NO.	REV
10:1	A	141800	A
DO NOT SCALE DRAWING			SHEET 5 OF 5