

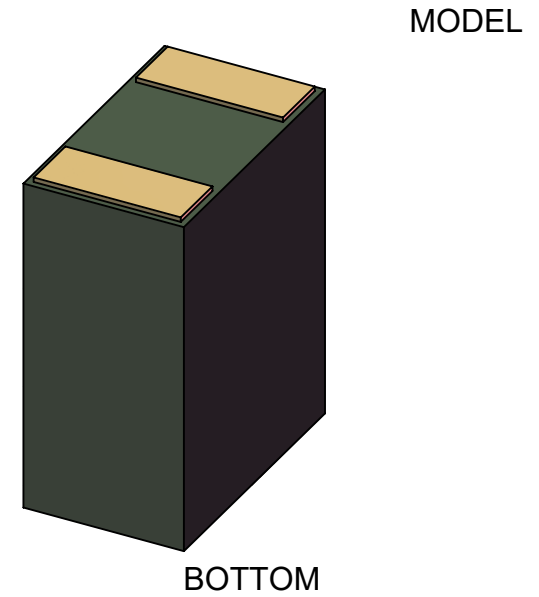
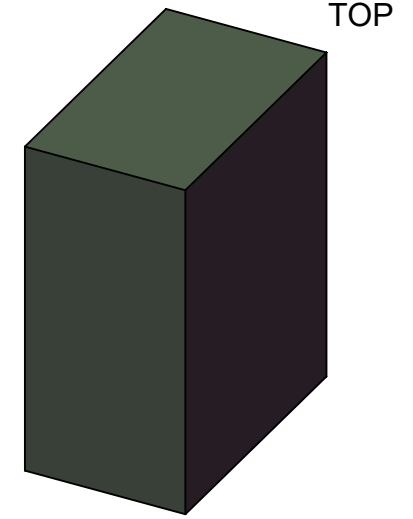
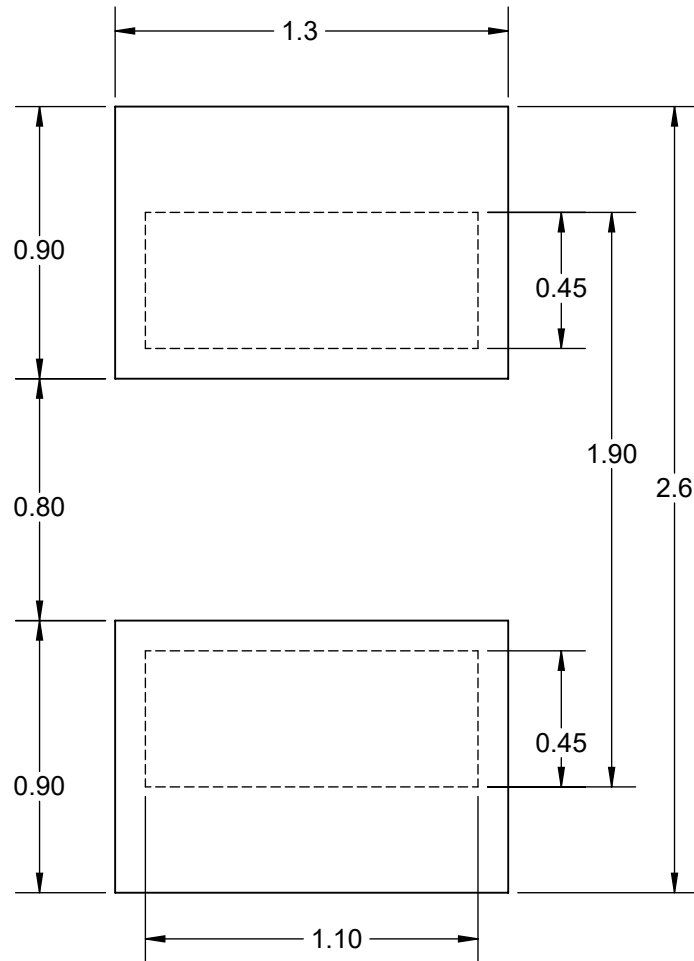
BOTTOM

TOP

- Notes: (Unless Otherwise Specified)
- 1) DIMENSIONS: MM
 - 2) POLARITY: NON-POLAR
 - 3) MARKINGS: NONE
 - 4) BODY MATERIAL: FR4
 - 5) BOTTOM TERMINAL: Cu COPPER 35um THICK.
 - 6) TERMINAL PLATING: Ni 4.0um Au 0.13um
 - 7) Pb-FREE RoHS COMPLIANT. REACH COMPLIANT

APPROVALS	DATE	TopLine®			
DRAWN T. Au	11/29/2023				
ENG M. Hart	11/29/2023	TITLE SSL080598E13A-G SOLDERABLE SPACER 2.5mm			
MFG		SCALE	SIZE	DRAWING NO.	REV
QA		30:1	A	080596	A
CUST		DO NOT SCALE DRAWING			SHEET 1 OF 5
REVISED					

PC BOARD LAND PATTERN

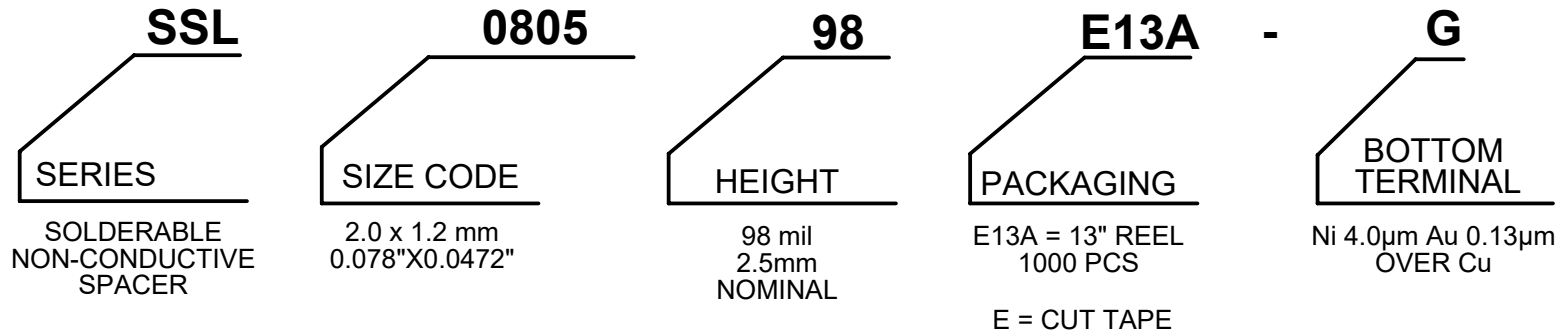


Notes: (Unless Otherwise Specified).

- 1) DIMENSION mm.
- 2) PCB BOARD DIMENSIONS ARE PRESENTED ONLY AS A GUIDELINE. DESIGNERS SHOULD USE THEIR OWN EXPERIENCE WHEN DESIGNING PCB.

TopLine®			
TITLE		SSL080598E13A-G SOLDERABLE SPACER 2.5mm	
SCALE	SIZE	DRAWING NO.	REV
40:1	A	080596	A
DO NOT SCALE DRAWING			SHEET 2 OF 5

PART NUMBERING SYSTEM



PART NUMBER	REEL QTY	Pb-Free RoHS	APPLICATION	TOP MARK
SSL080598E13A-G	1000	YES	SPACER	NONE

TopLine®

TITLE SSL080598E13A-G
SOLDERABLE SPACER 2.5mm

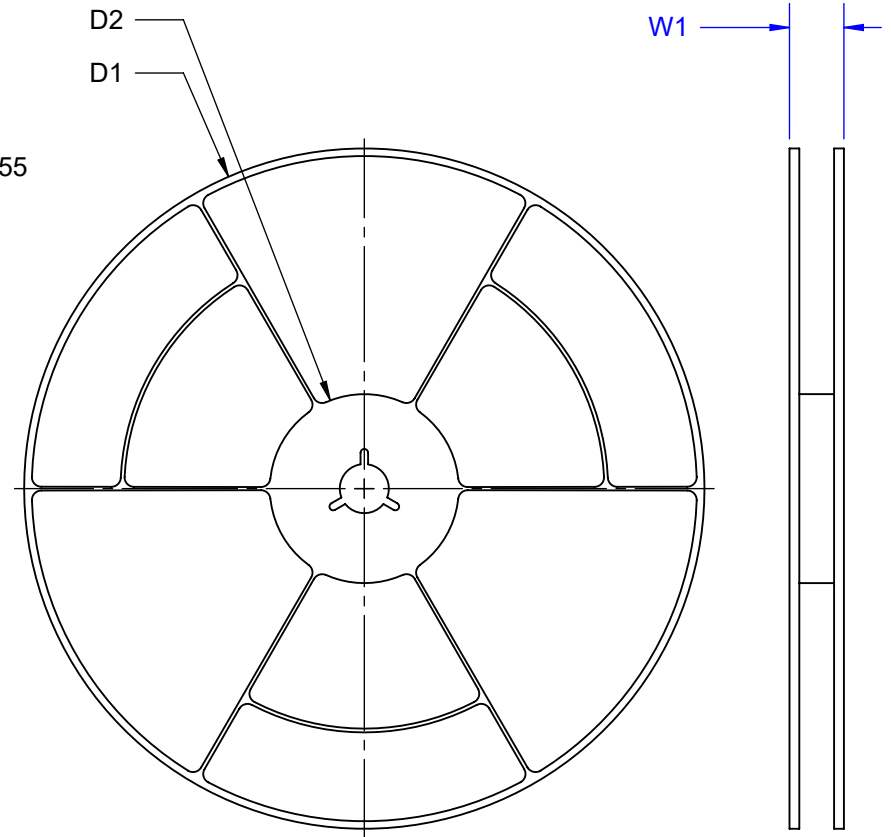
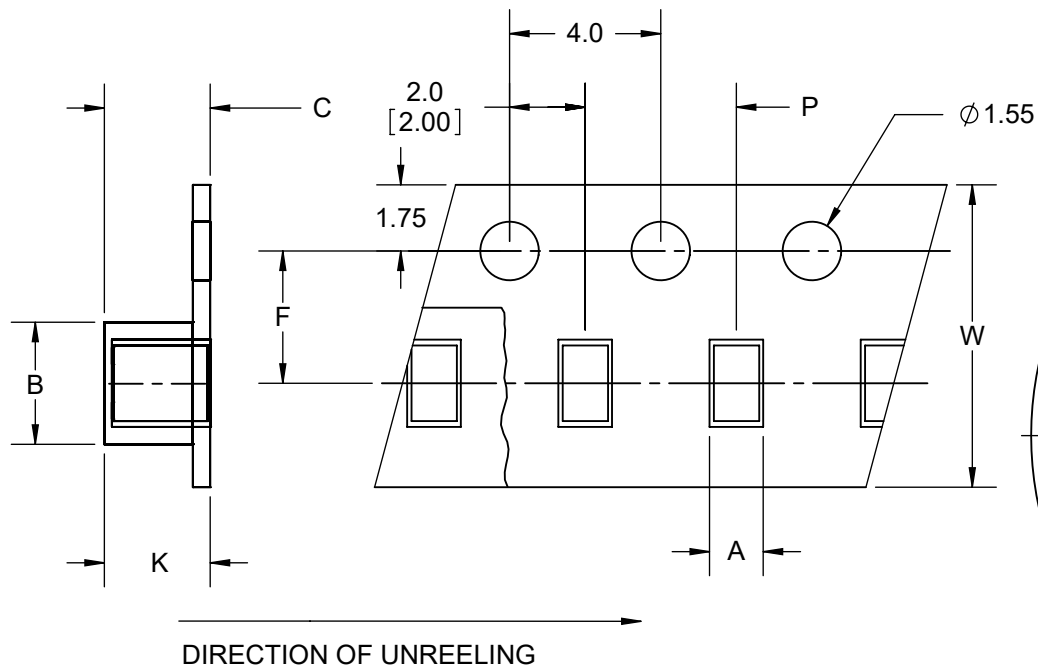
SCALE NONE	SIZE A	DRAWING NO. 080596	REV A
---------------	-----------	-----------------------	----------

DO NOT SCALE DRAWING

SHEET 3 OF 5

TAPE SPECIFICATION SURFACE MOUNT DEVICE

13-INCH REEL 330mm

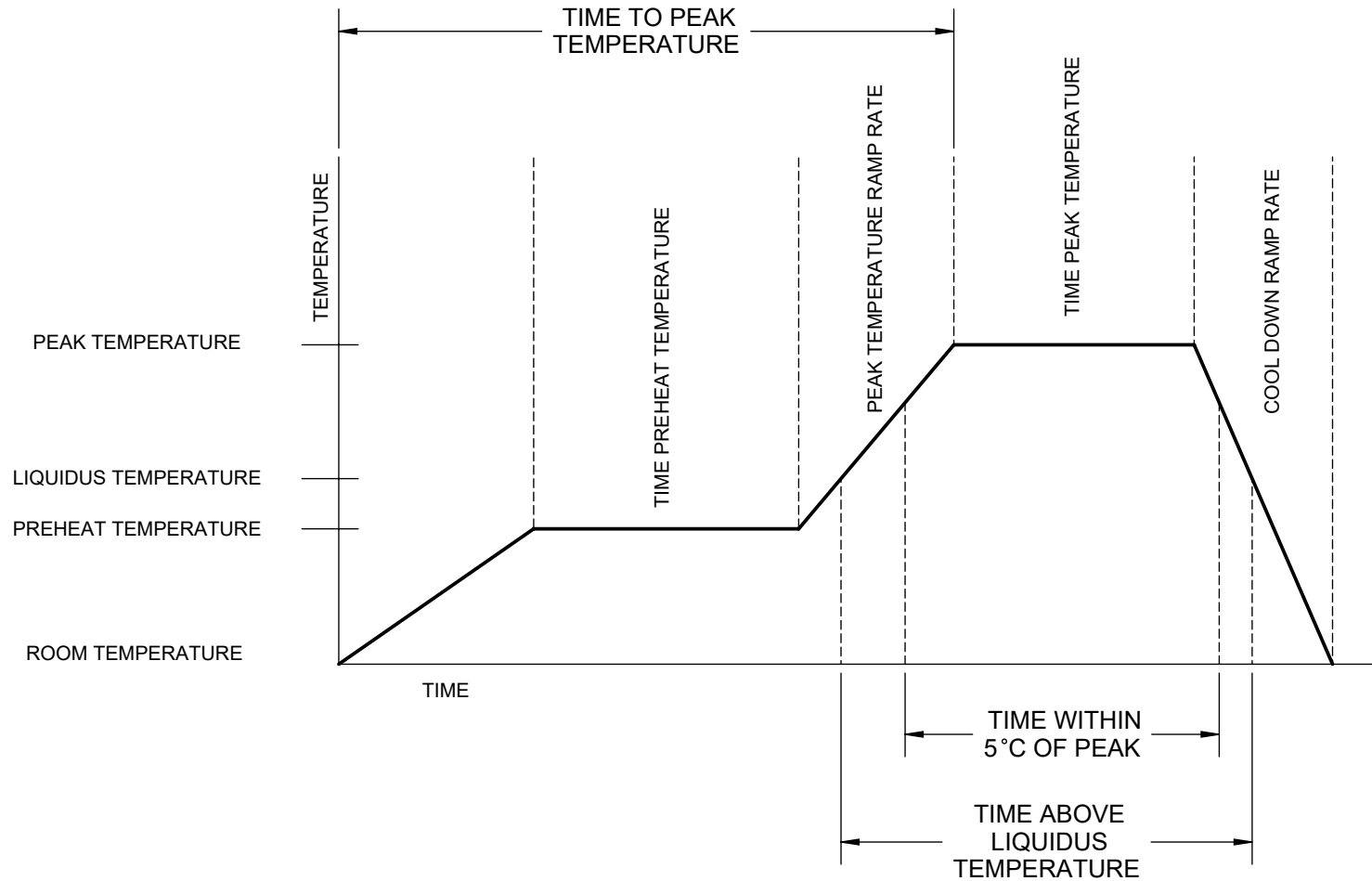


ALL DIMENSIONS IN mm.

TAPE AND REEL DIMENSIONS		E13A 13-INCH SSL0805
	SYMBOL	
TAPE WIDTH	W	12
PITCH OF COMPONENTS	P	8
POCKET WIDTH	A	1.5
POCKET LENGTH	B	2.31
POCKET DEPTH	K	2.8
CARRIER THICKNESS	C	1.5
REEL DIAMETER	D1	330
HUB DIAMETER	D2	100
PUNCH HOLE POSITION	F	3.5
MAX REEL WIDTH	W1	18.4

TopLine®			
TITLE SSL080598E13A-G SOLDERABLE SPACER 2.5mm			
SCALE	SIZE	DRAWING NO.	REV
5:1	A	080596	A
DO NOT SCALE DRAWING			SHEET 4 OF 5

LEAD FREE REFLOW PROFILE OF SMD PACKAGE



DESCRIPTION	REQUIREMENT
AVERAGE PREHEAT RAMP RATE	3°C /SECOND MAXIMUM
PREHEAT TEMPERATURE	150°C MINIMUM, 200°C MAXIMUM
PREHEAT TIME	60 TO 120 SECONDS
RAMP TO PEAK	3°C /SECOND MAXIMUM
TIME OVER LIQUIDUS (217°C)	60 TO 260 SECONDS
PEAK TEMPERATURE	260°C +0/-5°C
TIME WITHIN 5°C OF PEAK	10 TO 30 SECONDS
RAMP - COOL DOWN	6°C /SECONDS MAXIMUM
TIME 25°C TO PEAK	8 MINUTES MAXIMUM

TopLine®			
TITLE		SSL080598E13A-G SOLDERABLE SPACER 2.5mm	
SCALE	SIZE	DRAWING NO.	REV
NONE	A	080596	A
DO NOT SCALE DRAWING			SHEET 5 OF 5