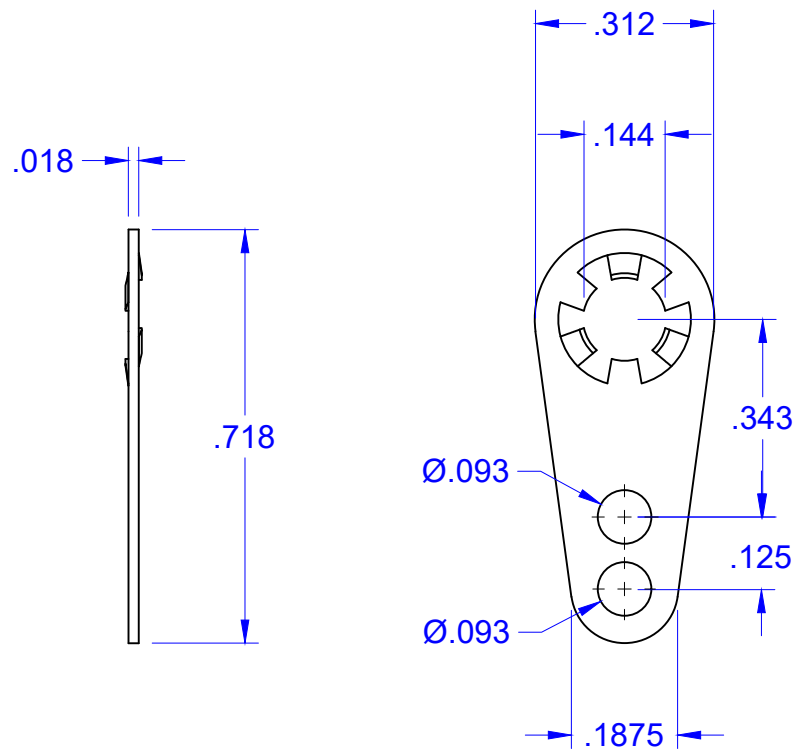
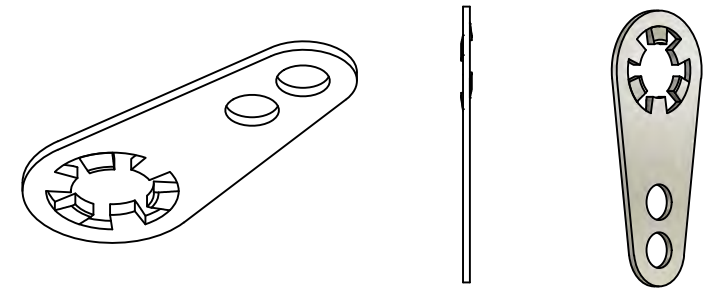


PIERCED TERMINAL


MODELS



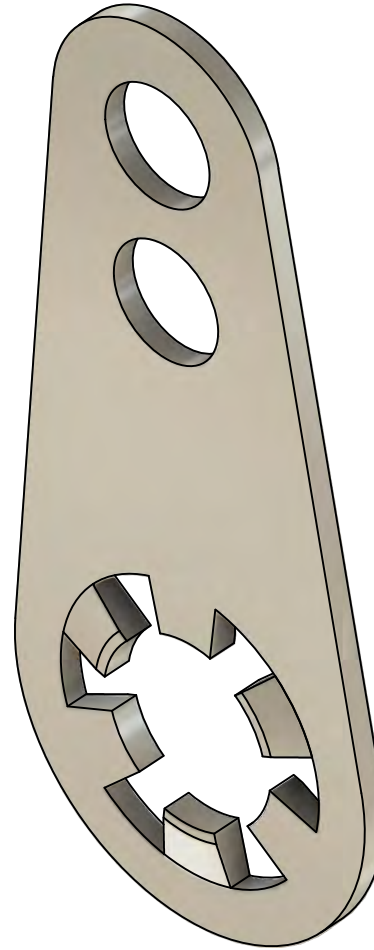
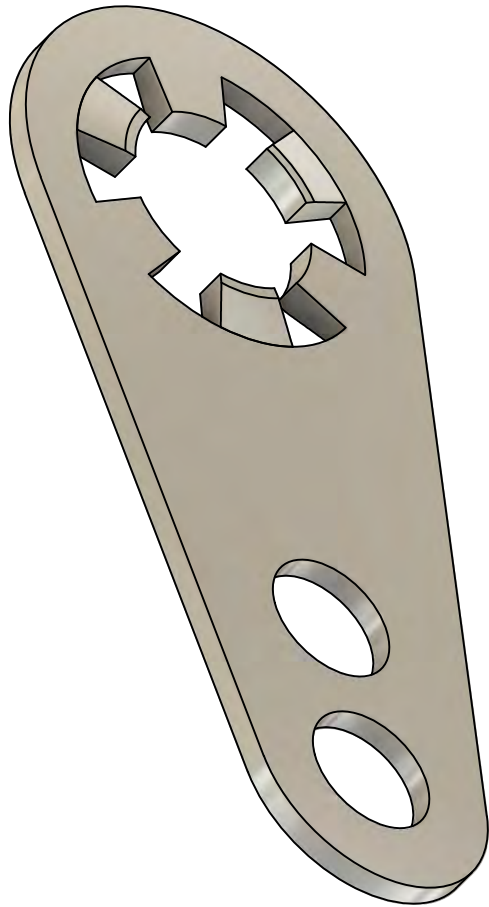
ORDER NUMBER TABLE	
ORDER NUMBER	STANDARD PACKAGE QTY
106000	1
106005	5
106025	25
106100	100
106500	500
106999	1000

NOTES: (UNLESS OTHERWISE SPECIFIED)

1. DIMENSION INCH
2. MATERIAL: TINNED SOLID COPPER
3. FEDERAL SPEC: QQ-W-343G AND QQ-W343S-S1T

APPROVAL	DATE			
DRAWN W. Pegeus	4/24/2023			
ENG				
MFG				
QA				
CUST				
REVISED		TITLE		
THIRD ANGLE PROJECTION		PIERCED TERMINAL 106XXX SERIES		
SCALE	SIZE	DWG NO	REV	
2:1	A	106000	A	
DO NOT SCALE			SHEET 1 OF 3	

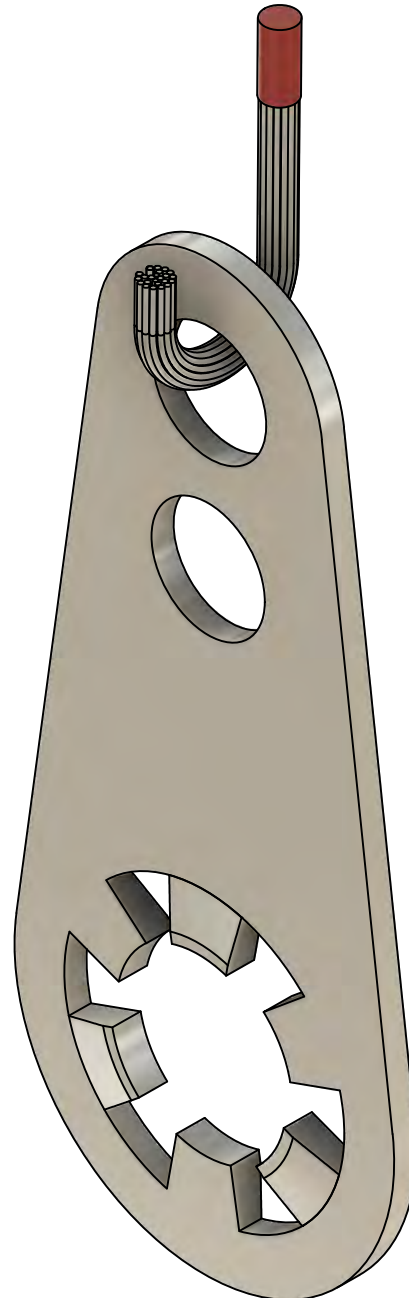
MODEL



TopLine[®]

TITLE			
PIERCED TERMINAL 106XXX SERIES			
SCALE	SIZE	DWG NO	REV
8:1	A	106000	A
DO NOT SCALE			SHEET 2 OF 3

EXAMPLE WORKMANSHIP PIERCED TERMINAL



TopLine[®]

TITLE			
PIERCED TERMINAL 106XXX SERIES			
SCALE	SIZE	DWG NO	REV
9:1	A	106000	A
DO NOT SCALE			SHEET 3 OF 3