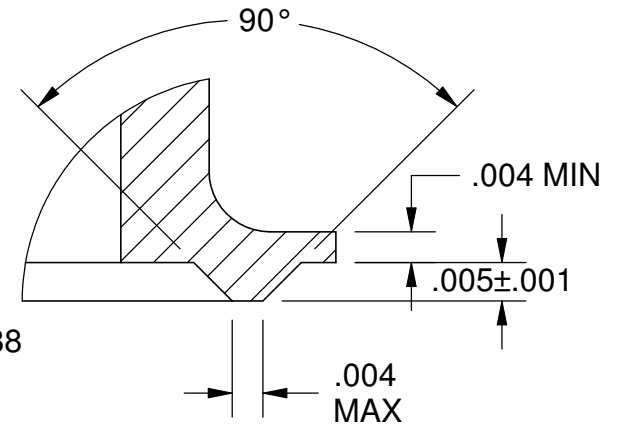
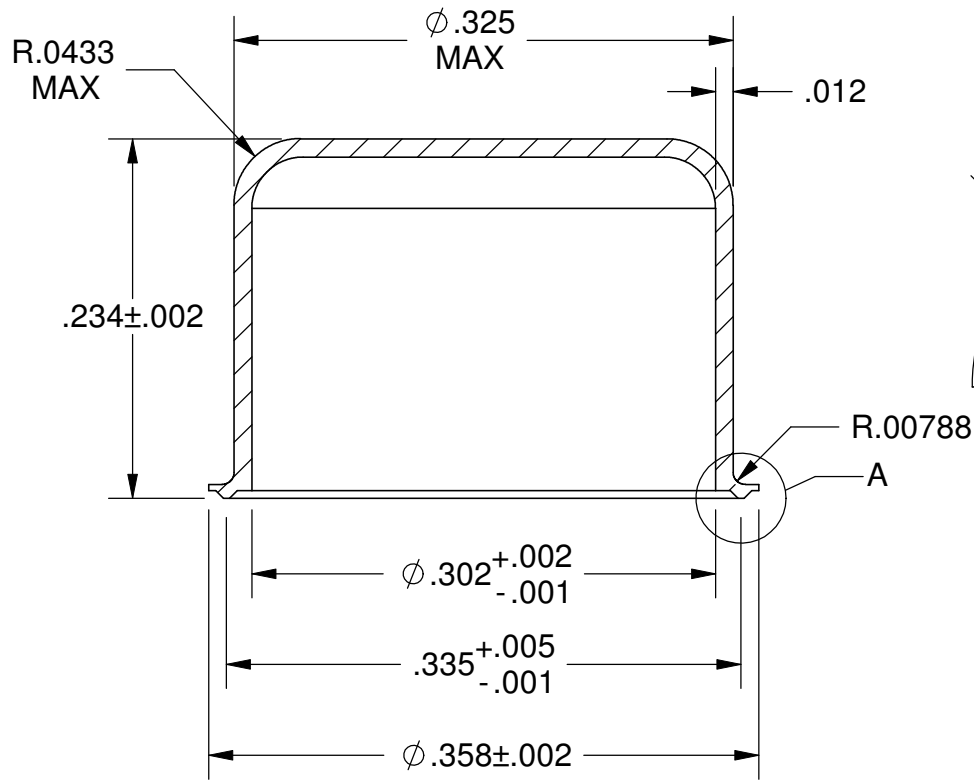
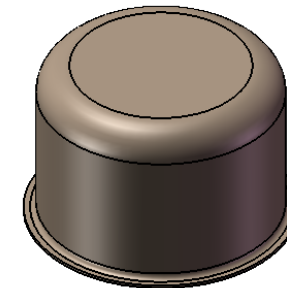
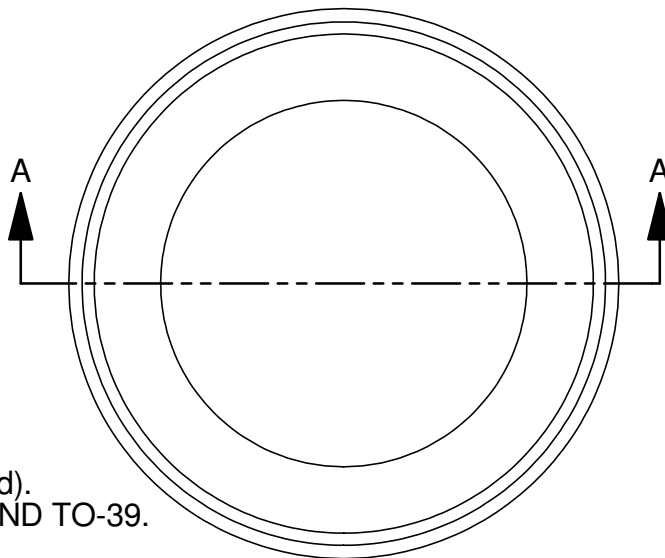


SECTION A-A



DETAIL A
SCALE 40 : 1



ISOMETRIC VIEW

Notes: (Unless Otherwise Specified).

- 1) CAN - CAP - LID FOR TO-5 AND TO-39.
- 2) NICKEL PLATED.
- 3) WELD PROJECTION.
- 4) DIMENSIONS IN INCH.

APPROVALS		DATE	TopLine ®			
DRAWN	J. Hines	7/27/2014				
ENG	M. Hart	7/27/2014				
MFG			SCALE	SIZE	DRAWING NO.	REV
QA			8:1	A	168003	A
CUST			DO NOT SCALE DRAWING			SHEET 1 OF 1
REVISED						