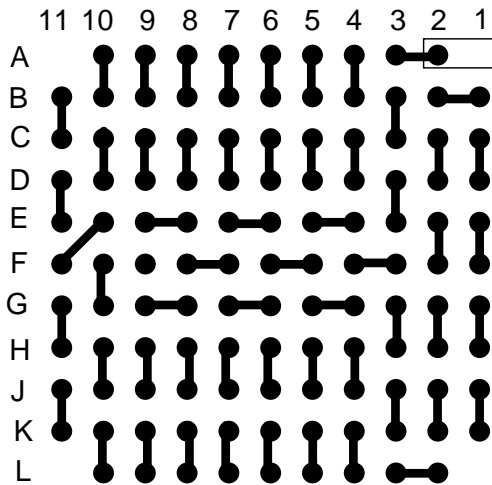


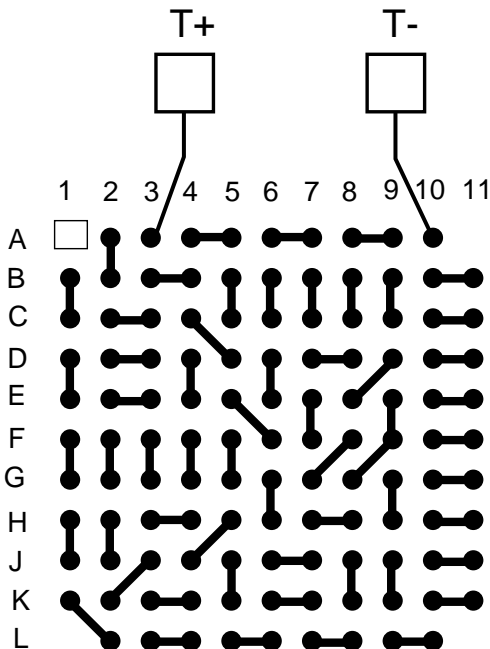
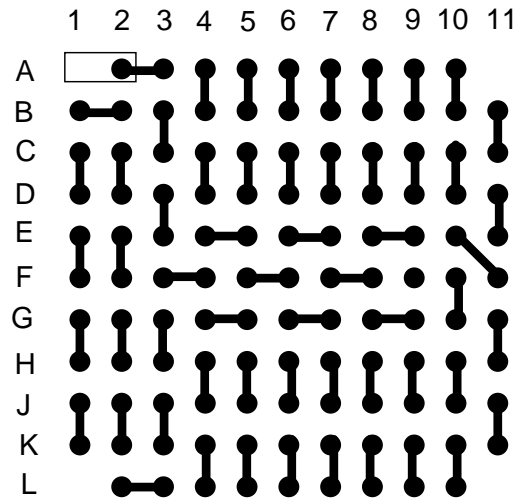
Lead Free CBGA121T1.27C-DC5

BALLS	PITCH	SIZE	MATRIX	ROWS	CENTER	MAT'L
121	1.27mm	15mm SQ	11 x 11	full	full	ceramic

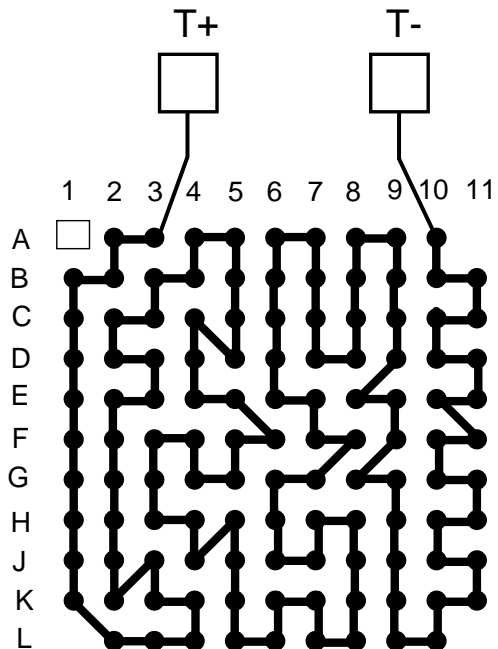
BALL VIEW



BOTTOM SIDE (TOP X-RAY VIEW)



TEST VEHICLE BOARD



AFTER MOUNTING TO TEST BOARD

CBGA121T1.27C-DC5 Lead Free

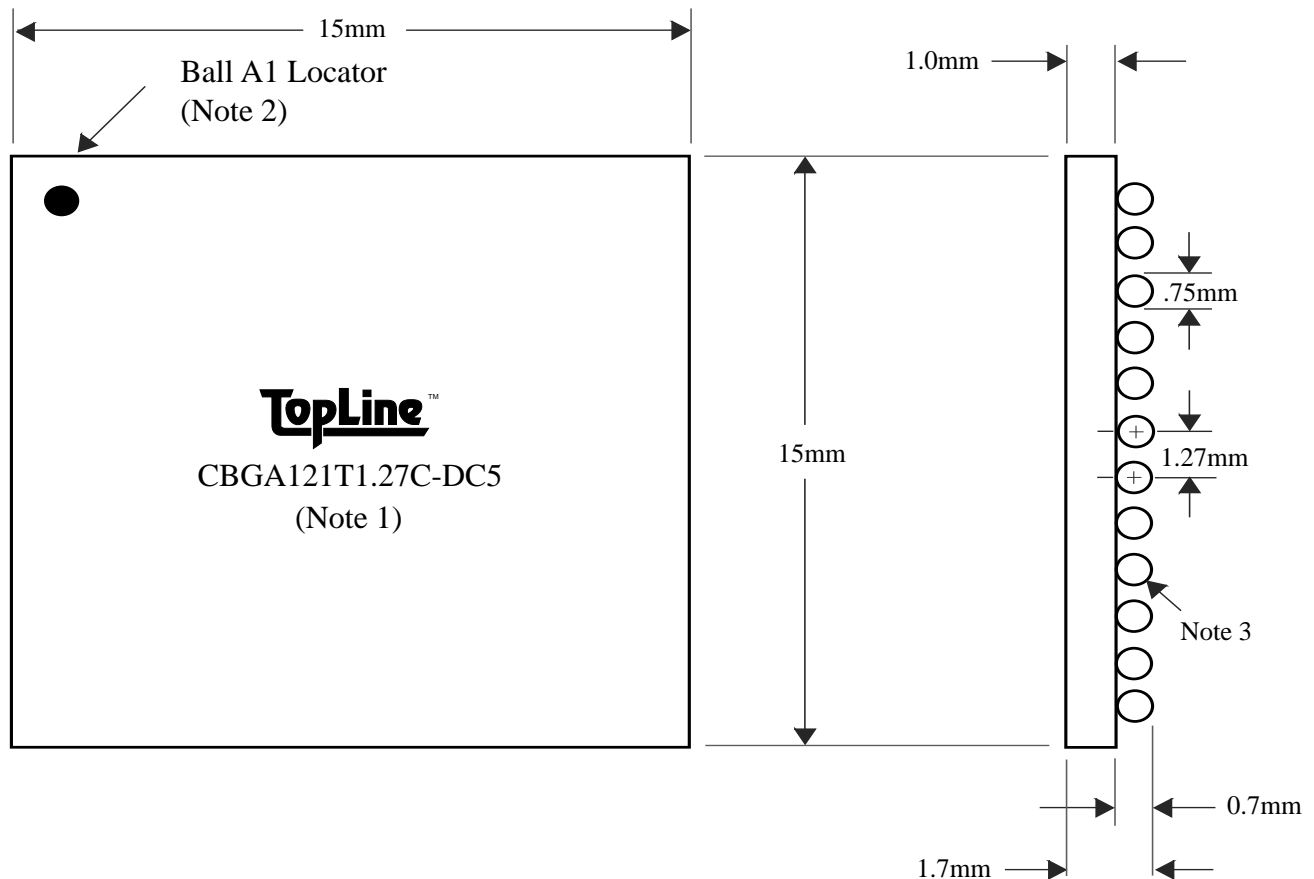


TEL 1-714-898-3830
info@topline.tv

<u>BALLS</u>	<u>PITCH</u>	<u>SIZE</u>	<u>MATRIX</u>	<u>ROWS</u>	<u>CENTER</u>	<u>MAT'L</u>
121	1.27mm	15mm SQ	11 x 11	full	full	ceramic

TOP VIEW

SIDE VIEW



NOTES		REVISIONS		
Note 1	TopLine logo and part number centered Black ink	Rev	Date	Changes
Note 2	Ball A1 locator mark positioned in corner			
Note 3	Ball Material: Sn96.5/Ag3.0/Cu0.5	PACKAGING TRAYS		
Note 4	Substrate Material: Ceramic	Tray BGATRAY15mm-7x18 or 16mm-7x17 Tray Quantity 126 or 119 Tray Suppliers (ref):		